

All information contained in this manual is based on the latest product information at the time of publication. Bajaj Auto Limited accepts no liability for any inaccuracies or omissions in this publication, although every possible care has been taken to make it as complete and accurate as possible. All procedures and specifications subject to change without prior notice. The right is reserved to make such changes at any time without prior notice and without incurring an obligation to make such changes to product manufactured previously. Contact your authorized Bajaj Dealer for the latest information on product improvements incorporated after this manual was issued.

DOC. NO.: 71111891

REV. 00, JAN. 2016

We have pleasure in presenting the Spare Parts Catalogue for **RE COMPACT, COMPACT , MAXIMA & CARGO DIESEL** Vehicles. This catalogue has been specially designed to assist you in selecting the correct parts to maintain your vehicle in best running condition.

The Bajaj spares are subjected to the stringent quality control standards to ensure longer life of the vehicle. It is therefore necessary that only the Genuine Bajaj Spares are used.

In a continual effort to improve performance and efficiency of the vehicle, Specifications, Diagrams, Illustrations and Part Numbers can change without notice. Consequently, the description in this Spare Parts Catalogue cannot therefore be final and binding on us.

The modifications/ alterations which are carried out after the issue of this catalogue, will be conveyed to you through our service circulars. You are requested to make necessary corrections in the parts catalogues as per the circulars so as to keep your catalogues up to date. This will ensure the appropriate and speedy delivery of the spare parts as the order placed will bear the latest part numbers.

For latest information of serviceable spares, refer catalogues on dealer portal.

In case, if you need any technical assistance contact the concerned Regional Office or write to us on the following address :

Service Department CV
Bajaj Auto Ltd.
Akurdi, Pune 411 035 India
Phone : 020-66106447
Fax : 020-27407385
E-mail : service@bajajauto.co.in

INSTRUCTIONS FOR USING THE CATALOGUE

RE COMPACT,COMPACT+
MAXIMA,CARGO DIESEL

1. How to Read the Catalogue : Open the catalogue and from the pictorial index locate the group in which the part you want to find is present. Turn over to the concerned page number (as given by pictorial index). Now find out the figure of the part you wish to order. Write down the part number against that particular figure number from the text.

In case, if you have the part number and you need the other details, the part index can be used. The part index (at the end of the catalogue) will give you the figure and page number of the part you wish to order.

2. How to Order Spare Parts : The part number and the description of the part required should be invariably mentioned in the order as per the catalogue text.

The latest part number as conveyed through our service circulars should only appear on the order. In case of ordering painted components, colour shade of the components should be mentioned.

The quantity shown against the part number is the quantity per vehicle for that group so that particular quantity should be multiplied by the number of sets required.

3. Part Number System : We have used 8 digit system for part numbers. The model or hardware item is indicated by first two digits or alphanumeric, the next two or four digits indicate main group and the last four or two digits indicate serial number in main group or serial number or subgroup of fastener respectively. Thus the part numbers will be indicated by 2-4-2 digit system. Understanding this system will enable you to identify the spare parts easily.

4. Abbreviations : The following abbreviations are used in this catalogue.

assly.	Assembly	V	Volts
N.I.	Not illustrated	W	Watts
C' case	Crankcase	accl.	Accelerator
Cyl	Cylinder	Comp.	Complete
o/s.	Over size	FR	Front
Std.	Standard	L	Length
alt.	Alternate	RR	Rear
RH	Right hand	Hex.	Hexagonal
LH	Left hand	AR	As required
NS	Not serviceable	HC	Hand clutch
SHL	Single head lamp	THL	Twin headlamp

INDEX

RE COMPACT,COMPACT+
MAXIMA,CARGO DIESEL

S.N.	Description	Page No.	S.N.	Description	Page No.
1	Engine, Cylinder Crankcase	1,2	33	Rear Hub & Axle	47,48
2	Piston & Connecting Rod Assly	3	34	Front Hub & FR Shock Absorber	49,50
3	Cam shaft Assembly	4	35	Front Brake Drum	51,52
4	Crankshaft Assembly	5	36	Auto Adjuster Brake System	53,54
5	Governor	6	36a	Auto Adjuster Brake System	55,56
6	Speed Control Levers	7	37	Steering Column & Fork Assly	57,58
7	Cover Crankcase & weight balancer	8	38	Front shock absorber & linkage	59
8	Oil Pump	9	39	Front Mudguard	60
9	Clutch	10	40	Brake Pipes	61
10	Clutch Shaft Assly	11	41	Tandem Master Cylinder	62
11	Main Housing	12	42	Brake Pedal	63
12	Gear Box Cover	13	43	Clutch Pedal	64
13	Gear Shifter Assly	14	44	Handle Bar Assembly	65,66
14	Gear Transmission	15,16	45	Dashboard - Compact & Optima	67,68
15	Main shaft Assly	17	45a	Dashboard - Maxima & Cargo	69
16	Differential Gear Assly	18	45b	Dashboard - Compact SHL	70
16a	Differential Gear Assly	19	46	Control Cables	71,72,73
17	Differential Cover Assly	20	47	Steering & Head lamp Cover	74
18	Cylinder Head	21,22	48	Cabin assembly(CARGO)	75
19	Rocker Arm	23	49	Windshield & Wiper Motor	76
20	Cylinder Head Cover	24	49a	Windshield & Wiper Motor	77,78
21	Oil Cooler	25	50	Chassis	79,80
22	Alternator & Starter Motor	26	51	Wiring harness	81,82
23	Air Filter	27	52	Body - Compact	83
23a	Air Filter	28	52a	Body - Optima	84
24	Air Intake Assly	29	52b	Body - Maxima/Cargo	85,86
24a	Air Intake Assly	30	53	Seat & Hood Frame- Compact	87,88
24b	Air Intake Assly	31	53a	Seat & Hood Frame- Optima	89
25	Silencer	32	53b	Seat & Hood Frame- Maxima	90
26	Fuel Tank Assly -Compact	33	54	Door assembly (cargo)	91,92
26a	Fuel Tank Assly -Optima	34	55	Battery	93
26b	Fuel Tank Assly -Maxima,Cargo	35	56	Head Light	94
27	Injection Pump & Nozzle Holder	36	57	Indicator Assly	95
28	Fuel Filter Assly	37,38	58	Tail Lamp Assembly	96
29	Engine Mounting - Compact	39	59	Electrical units	97
29a	Engine Mounting - Optima	40	60	Switches	98
29b	Engine Mounting - Maxima	41			
30	Rear Wheel Assly	42			
31	Propeller shaft / Flanges	43			
31a	Drive shaft CV	44			
32	Trailing Arm & RR Shockabsorber	45,46			

Pictorial Index

RE COMPACT,COMPACT+
MAXIMA,CARGO DIESEL

PLATE NO. : 1
ENGINE, CYLINDER CRANKCASE

PAGE NO.:
1,2

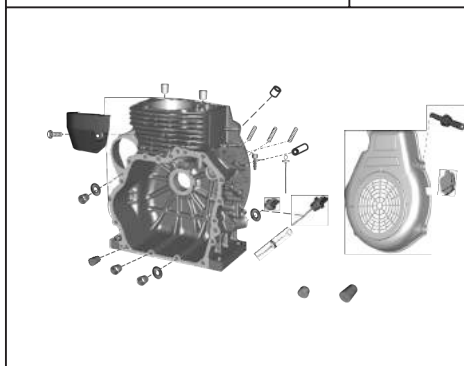


PLATE NO. : 3
CAM SHAFT ASSEMBLY

PAGE NO.:
4

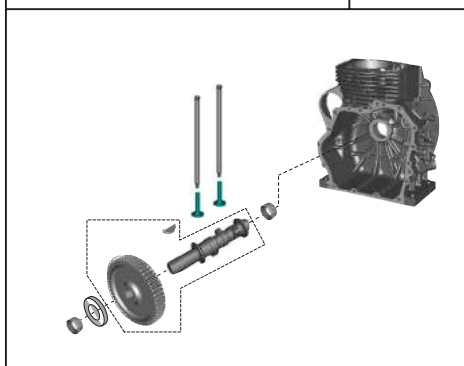


PLATE NO. : 5
GOVERNOR

PAGE NO.:
6

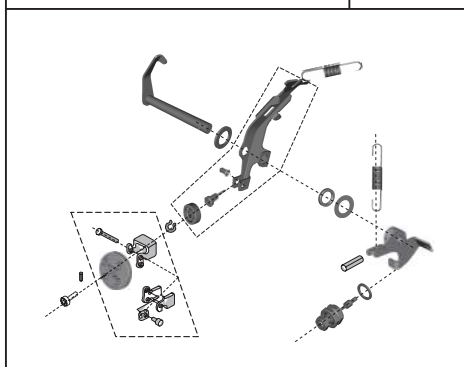


PLATE NO. : 2
PISTON & CONNECTING ROD ASSLY

PAGE NO.:
3

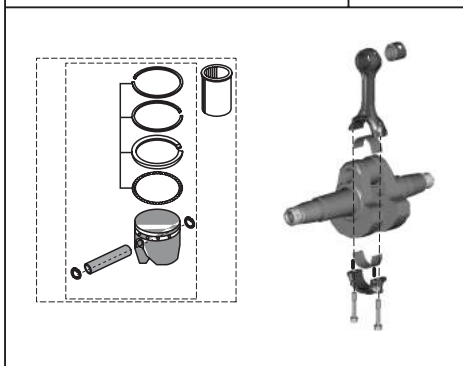


PLATE NO. : 4
CRANKSHAFT ASSEMBLY

PAGE NO.:
5

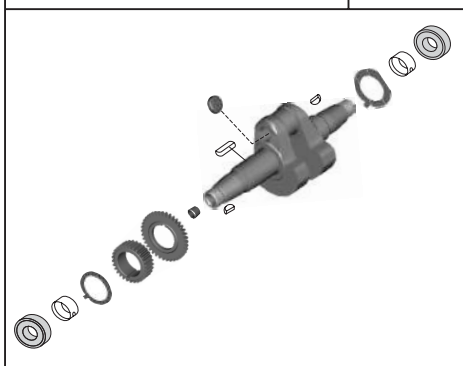
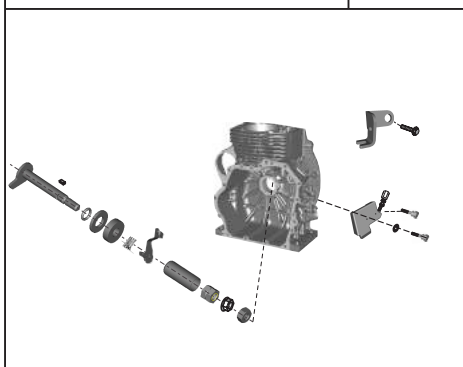


PLATE NO. : 6
SPEED CONTROL LEVERS

PAGE NO.:
7



Pictorial Index

RE COMPACT,COMPACT+
MAXIMA,CARGO DIESEL

PLATE NO. : 7
COVER CRANKCASE & WEIGHT BALANCER

PAGE NO.:
8

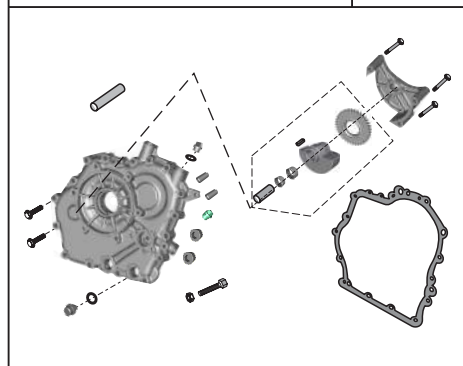


PLATE NO. : 9
CLUTCH HOUSING

PAGE NO.:
10

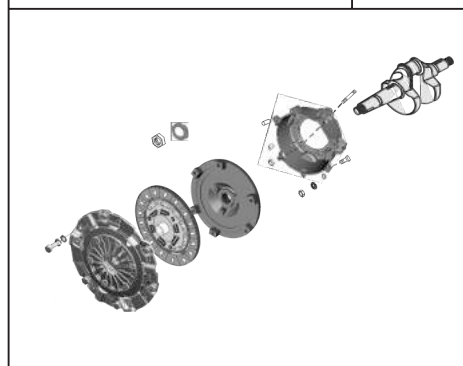


PLATE NO. : 11
MAIN HOUSING

PAGE NO.:
12

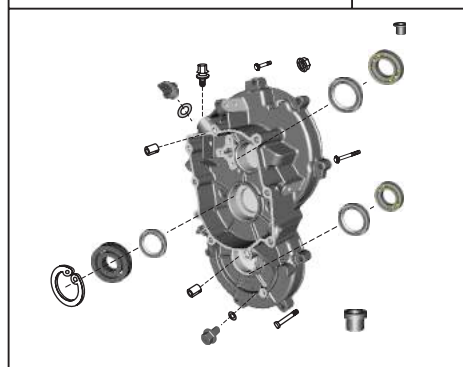


PLATE NO. : 8
OIL PUMP

PAGE NO.:
9

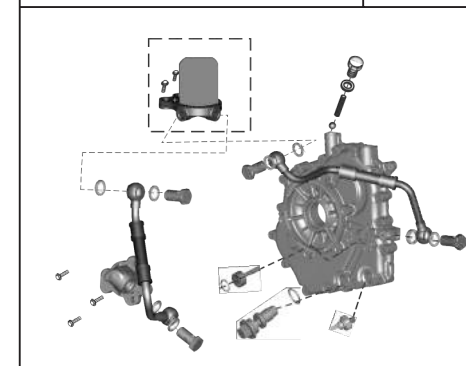


PLATE NO. : 10
CLUTCH SHAFT ASSLY

PAGE NO.:
11

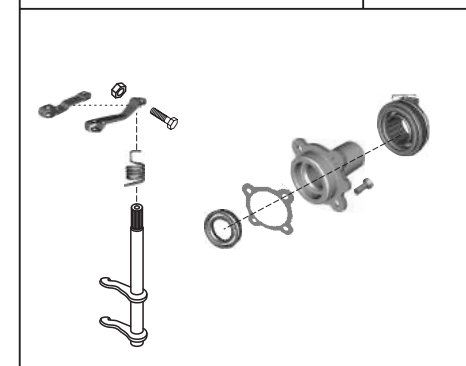
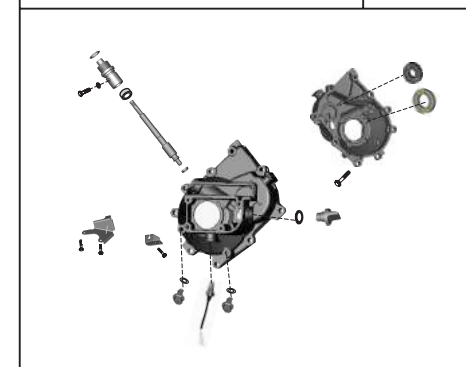


PLATE NO. : 12
GEAR BOX COVER

PAGE NO.:
13



Pictorial Index

RE COMPACT,COMPACT+
MAXIMA,CARGO DIESEL

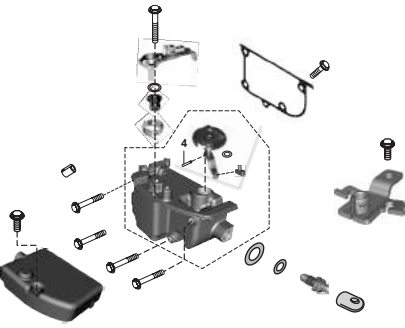
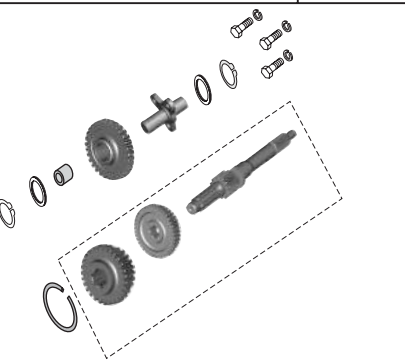
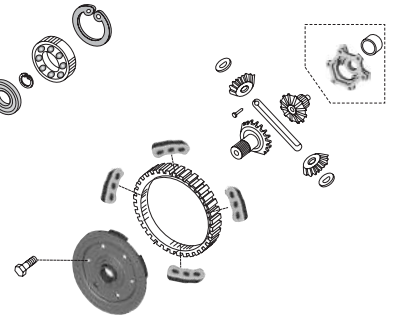
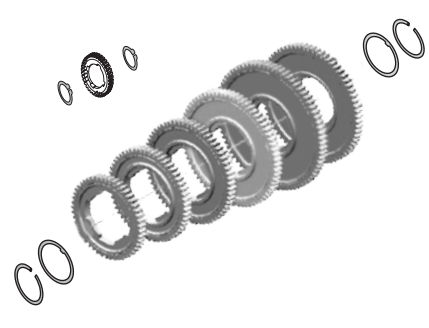
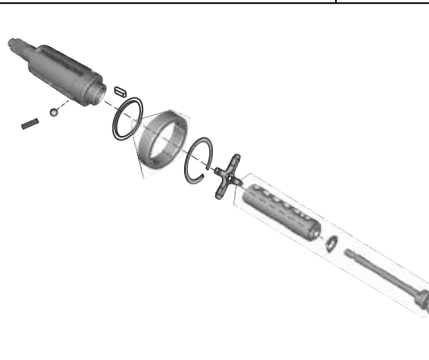
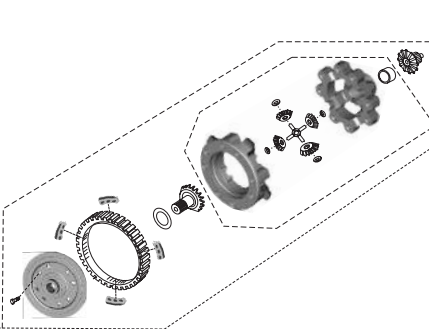
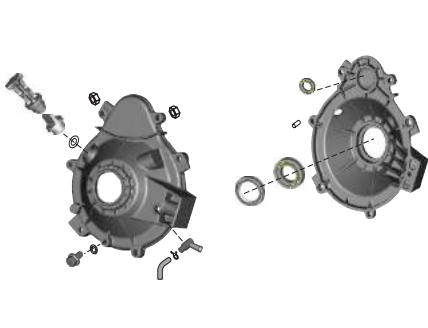
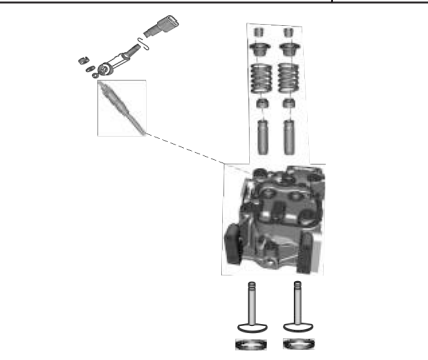
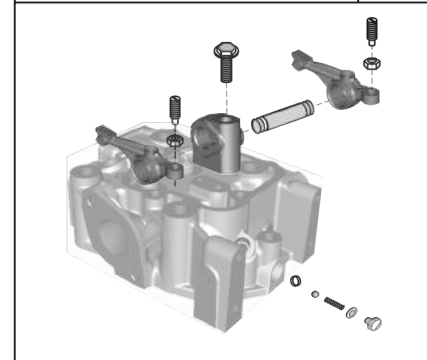
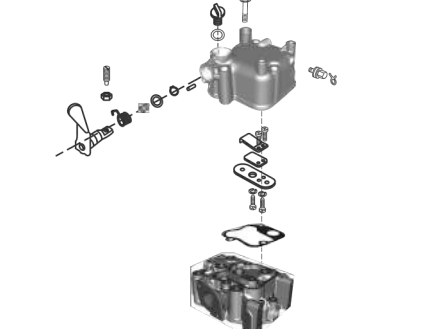
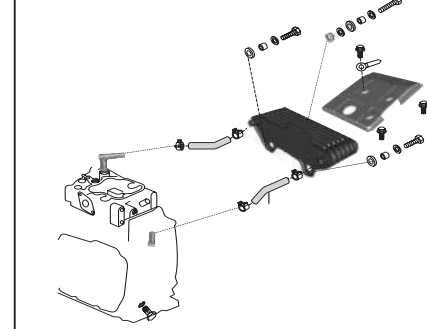
PLATE NO. : 13 GEAR SHIFTER ASSLY	PAGE NO.: 14
	
PLATE NO. :14 GEAR TRANSMISSION	PAGE NO.: 15,16
	
PLATE NO. : 16 DIFFERENTIAL GEAR ASSEMBLY	PAGE NO.: 18
	

PLATE NO. : 14 GEAR TRANSMISSION	PAGE NO.: 15,16
	
PLATE NO. : 15 MAIN SHAFT ASSEMBLY	PAGE NO.: 17
	
PLATE NO. : 16a DIFFERENTIAL GEAR ASSEMBLY	PAGE NO.: 19
	

Pictorial Index

RE COMPACT,COMPACT+
MAXIMA,CARGO DIESEL

PLATE NO. : 17 DIFFERENTIAL COVER ASSEMBLY	PAGE NO.: 20
	
PLATE NO. : 18 CYLINDER HEAD	PAGE NO.: 21,22
	
PLATE NO. : 19 ROCKER ARM	PAGE NO.: 23
	
PLATE NO. : 20 CYLINDER HEAD COVER	PAGE NO.: 24
	
PLATE NO. : 21 OIL COOLER	PAGE NO.: 25
	

Pictorial Index

RE COMPACT, COMPACT+
MAXIMA, CARGO DIESEL

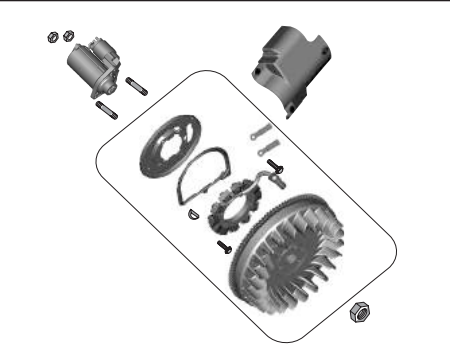
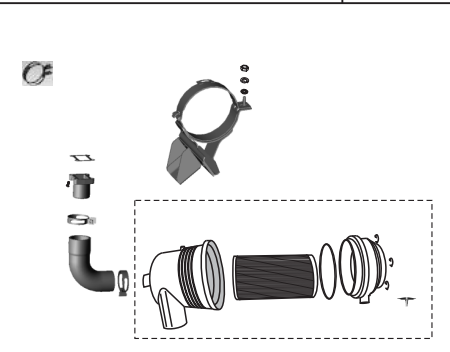
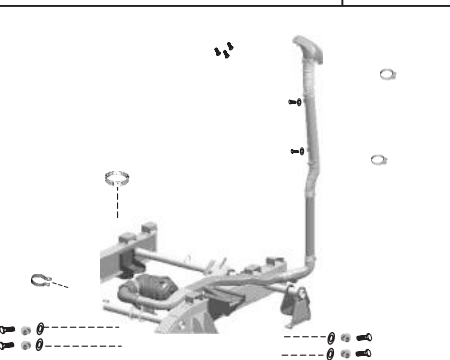
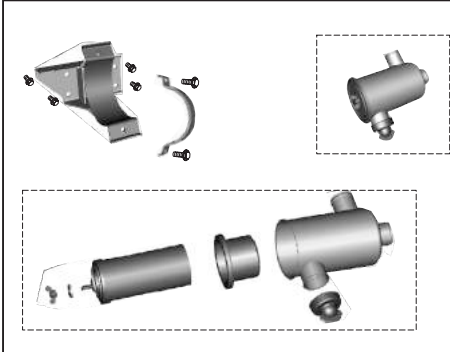
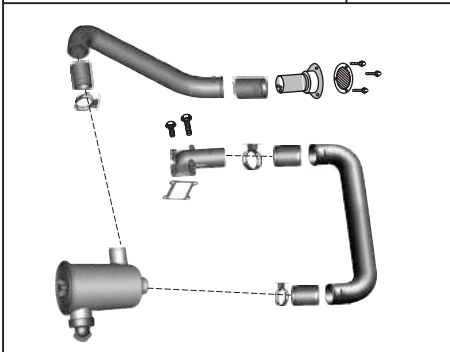
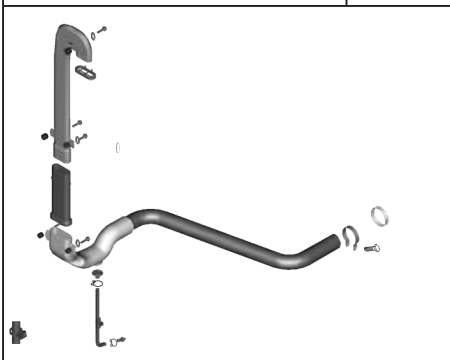
PLATE NO. : 22 ALTERNATOR & STARTER MOTOR	PAGE NO.: 26
	
PLATE NO. : 23a AIR FILTER ASSEMBLY	PAGE NO.: 28
	
PLATE NO. : 24a AIR INTAKE ASSLY-OPTIMA/MAXIMA	PAGE NO.: 30
	

PLATE NO. : 23 AIR FILTER ASSEMBLY	PAGE NO.: 27
	
PLATE NO. : 24 AIR INTAKE ASSLY-COMPACT	PAGE NO.: 29
	
PLATE NO. : 24b AIR INTAKE ASSLY- CARGO	PAGE NO.: 31
	

Pictorial Index

RE COMPACT, COMPACT+
MAXIMA, CARGO DIESEL

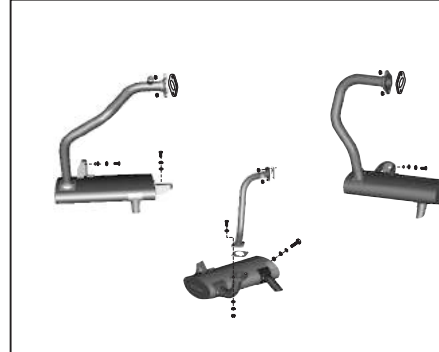
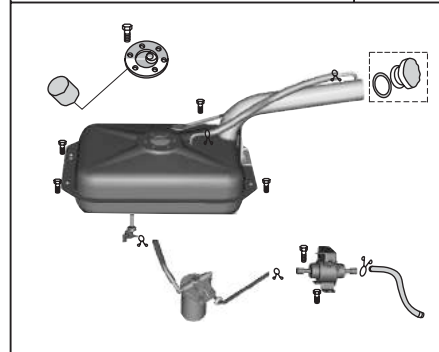
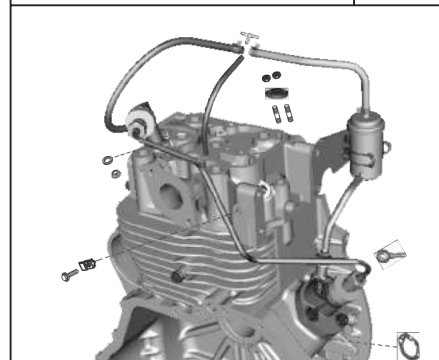
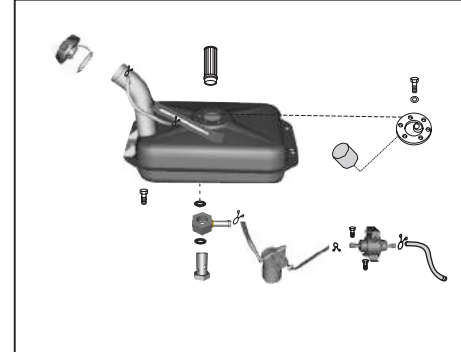
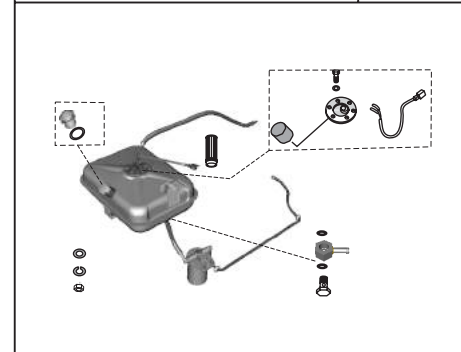
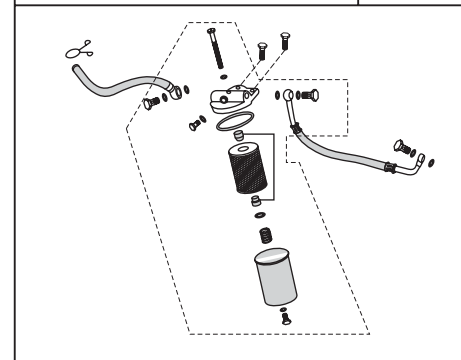
PLATE NO. : 25 SILENCER	PAGE NO.: 32
	
PLATE NO. : 26a FUEL TANK ASSEMBLY - OPTIMA	PAGE NO.: 34
	
PLATE NO. : 27 INJECTION PUMP & NOZZLE HOLDER	PAGE NO.: 36
	

PLATE NO. : 26 FUEL TANK ASSEMBLY - COMPACT	PAGE NO.: 33
	
PLATE NO. : 26b FUEL TANK ASSEMBLY - MAXIMA	PAGE NO.: 35
	
PLATE NO. : 28 FUEL FILTER ASSEMBLY	PAGE NO.: 37,38
	

Pictorial Index

RE COMPACT, COMPACT+
MAXIMA, CARGO DIESEL

PLATE NO. : 29
ENGINE MOUNTING - COMPACT

PAGE NO.:
39

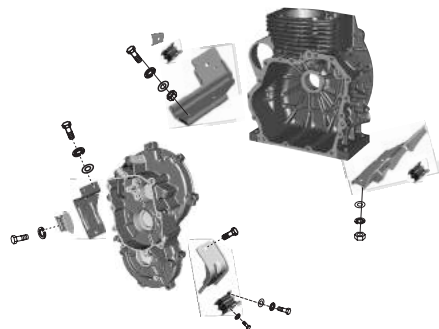


PLATE NO. : 29b
ENGINE MOUNTING - MAXIMA/CARGO

PAGE NO.:
41



PLATE NO. : 31
PROPELLER SHAFT / FLANGES

PAGE NO.:
43

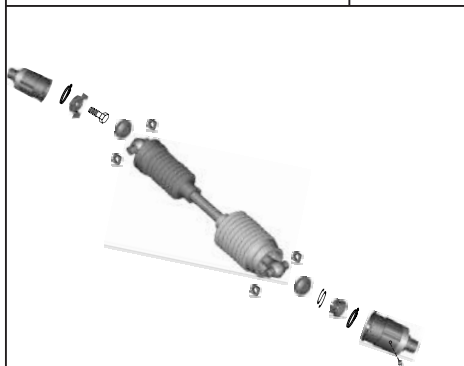


PLATE NO. : 29a
ENGINE MOUNTING - OPTIMA

PAGE NO.:
40

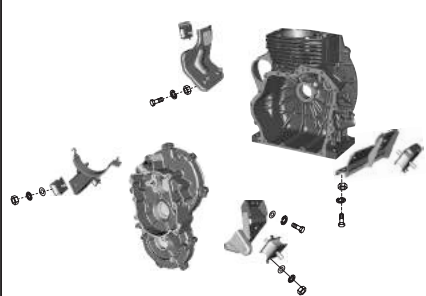


PLATE NO. : 30
REAR WHEEL ASSLY

PAGE NO.:
42

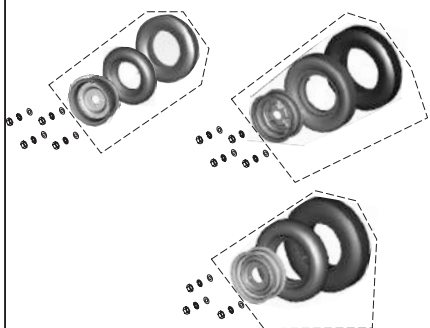
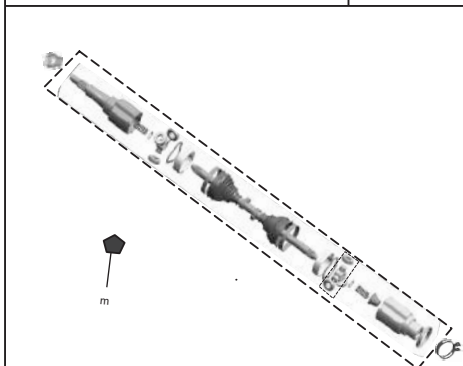


PLATE NO. : 31a
DRIVE SHAFT CV

PAGE NO.:
44



Pictorial Index

RE COMPACT, COMPACT+
MAXIMA, CARGO DIESEL

PLATE NO. : 32
TRAILING ARM & RR SHOCK ABSORBER

PAGE NO.:
45,46

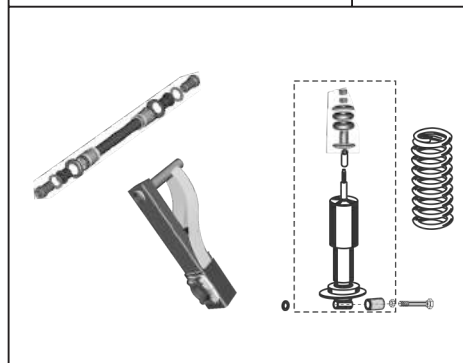


PLATE NO. : 33
REAR HUB & AXLE

PAGE NO.:
47,48

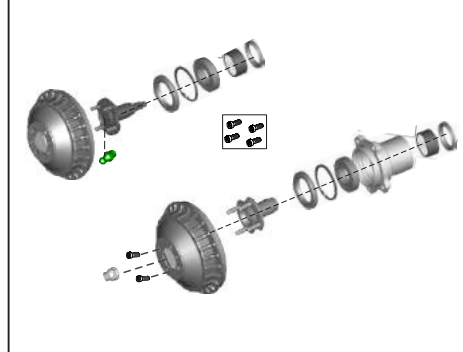


PLATE NO. : 34
FRONT HUB

PAGE NO.:
49,50

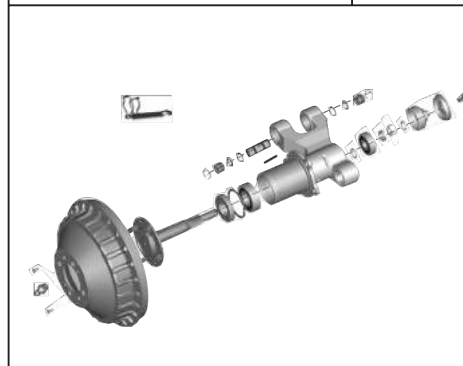


PLATE NO. : 32
TRAILING ARM & RR SHOCK ABSORBER

PAGE NO.:
45,46

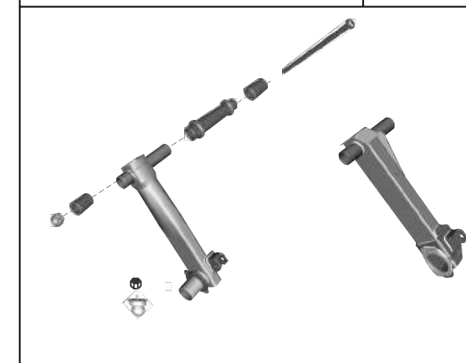


PLATE NO. : 33
REAR HUB & AXLE

PAGE NO.:
47,48

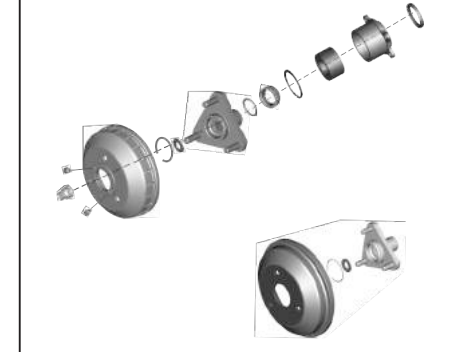
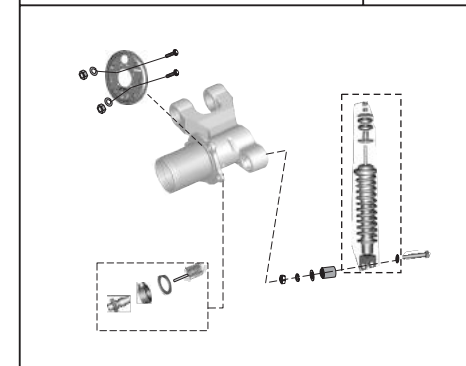


PLATE NO. : 34
FRONT HUB

PAGE NO.:
49,50



Pictorial Index

RE COMPACT, COMPACT+
MAXIMA, CARGO DIESEL

PLATE NO. : 35
FRONT BRAKE DRUM

PAGE NO.:
51,52

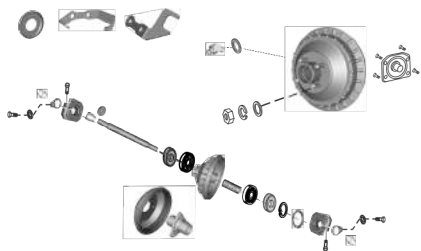


PLATE NO. : 36a
AUTO ADJUSTER BRACK SYSTEM

PAGE NO.:
55,56

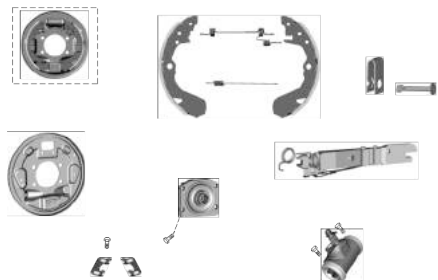


PLATE NO. : 38
FRONT SHOCK ABSORBER & LINKAGE

PAGE NO.:
59

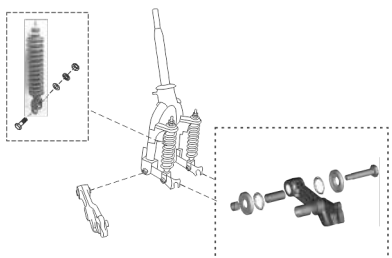


PLATE NO. : 36
AUTO ADJUSTER BRACK SYSTEM

PAGE NO.:
53,54

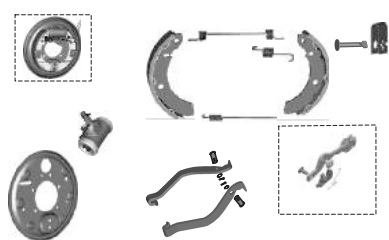


PLATE NO. : 37
STEERING COLUMN & FORK ASSLY

PAGE NO.:
57,58

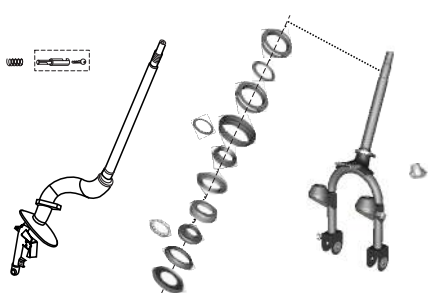
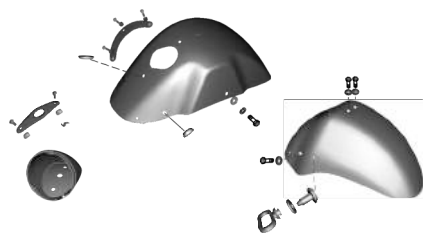


PLATE NO. : 39
FRONT MUDGUARD

PAGE NO.:
60



Pictorial Index

RE COMPACT, COMPACT+
MAXIMA, CARGO DIESEL

PLATE NO. : 40
BRAKE PIPES

PAGE NO.:
61

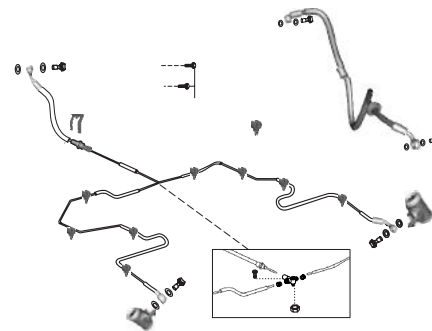


PLATE NO. : 42
BRAKE PEDAL

PAGE NO.:
63

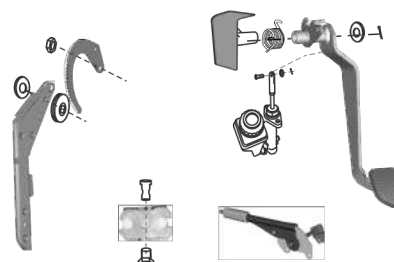


PLATE NO. : 44
HANDLE BAR ASSEMBLY

PAGE NO.:
65,66

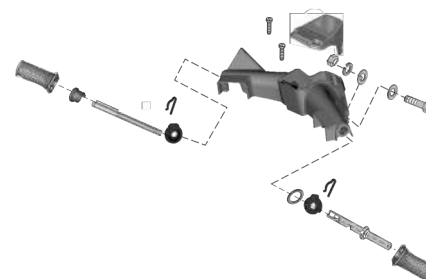


PLATE NO. : 41
TANDEM MASTER CYLINDER

PAGE NO.:
62

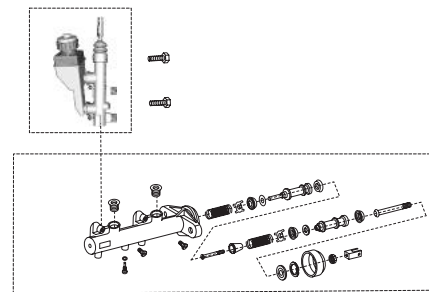


PLATE NO. : 43
CLUTCH PEDAL

PAGE NO.:
64

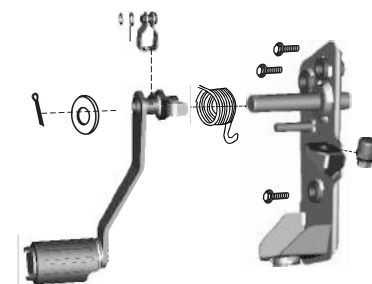
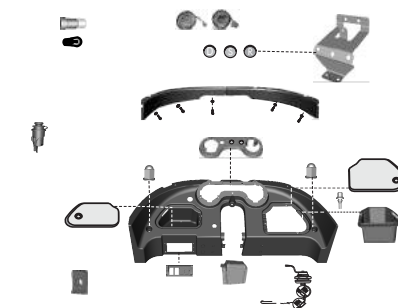


PLATE NO. : 45
DASHBOARD - OPTIMA

PAGE NO.:
67,68



Pictorial Index

RE COMPACT, COMPACT+
MAXIMA, CARGO DIESEL

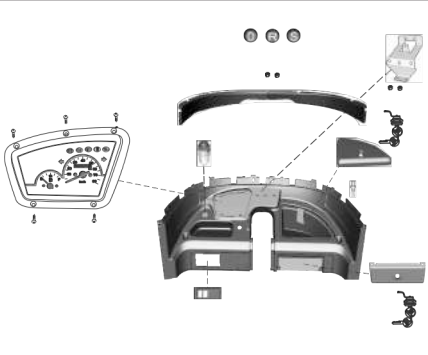
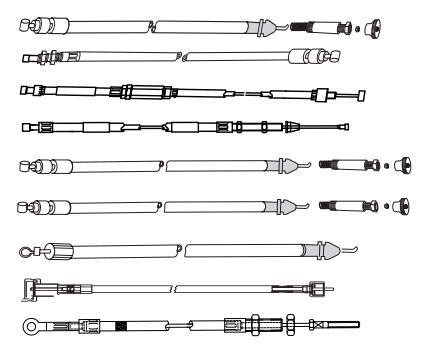
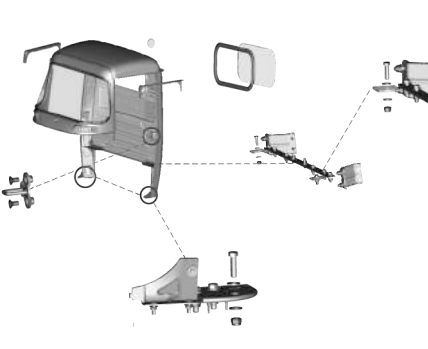
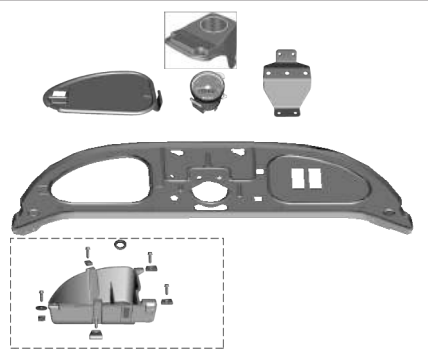
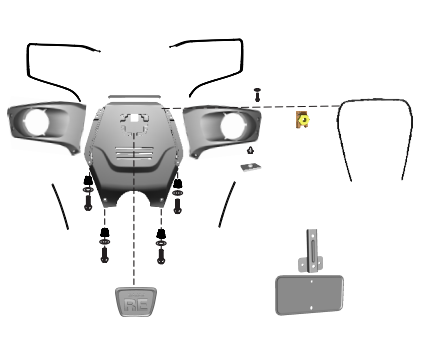
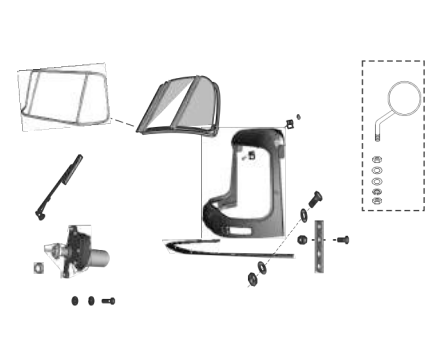
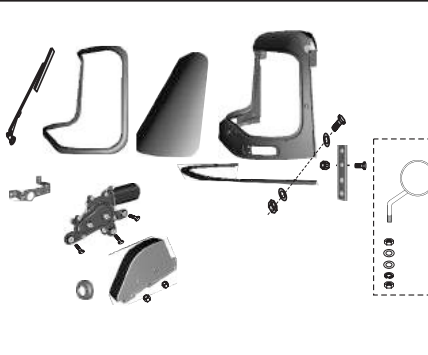
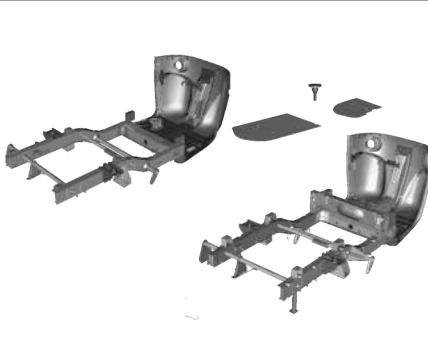
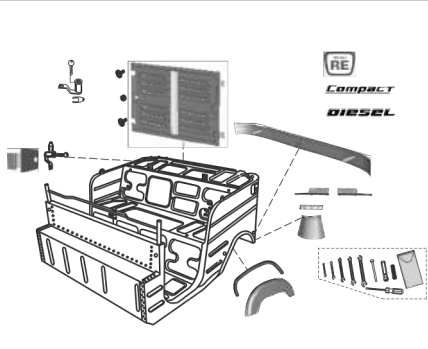
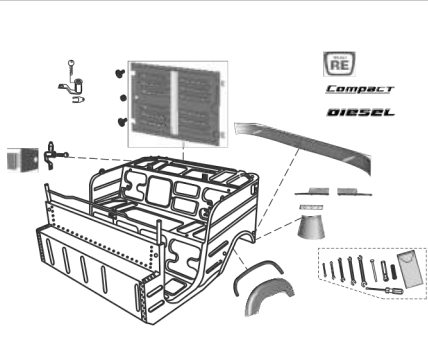
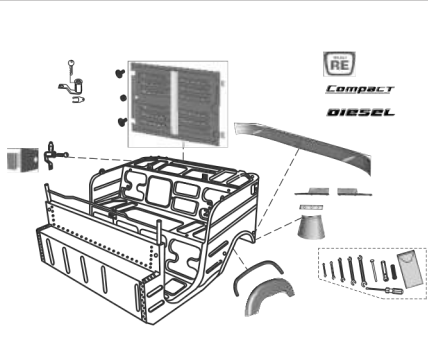
PLATE NO. : 45a DASHBOARD - MAXIMA/CARGO	PAGE NO.: 69
	
PLATE NO. : 46 CONTROL CABLES	PAGE NO.: 71,72,73
	
PLATE NO. : 48 CABIN ASSEMBLY(CARGO)	PAGE NO.: 75
	

PLATE NO. : 45b DASHBOARD - COMPACT	PAGE NO.: 70
	
PLATE NO. : 47 STEERING & HEAD LAMP COVER	PAGE NO.: 74
	
PLATE NO. : 49 WINDSHIELD & WIPER MOTOR	PAGE NO.: 76
	

Pictorial Index

RE COMPACT, COMPACT+
MAXIMA, CARGO DIESEL

PLATE NO. : 49a WINDSHIELD & WIPER MOTOR	PAGE NO.: 77,78
	
PLATE NO. : 50 CHASSIS	PAGE NO.: 79,80
	
PLATE NO. : 51 WIRING HARNESS	PAGE NO.: 81,82
	
PLATE NO. : 52 BODY- COMPACT	PAGE NO.: 83
	
PLATE NO. : 52a BODY- OPTIMA	PAGE NO.: 84
	

Pictorial Index

RE COMPACT, COMPACT+
MAXIMA, CARGO DIESEL

PLATE NO. : 52b
BODY-MAXIMA

PAGE NO.:
85,86

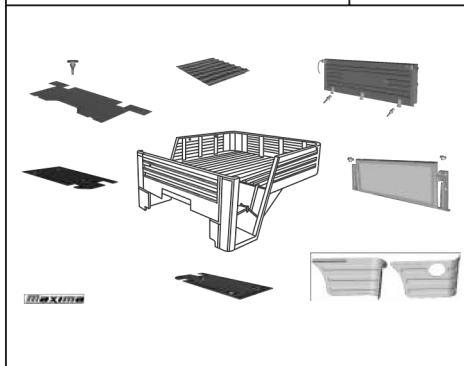


PLATE NO. : 53
SEAT & HOOD FRAME - COMPACT

PAGE NO.:
87,88

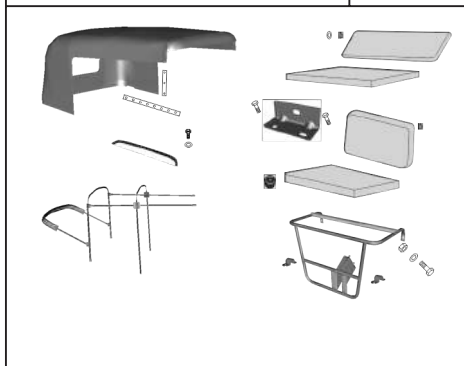


PLATE NO. : 53b
SEAT & HOOD FRAME - MAXIMA

PAGE NO.:
90

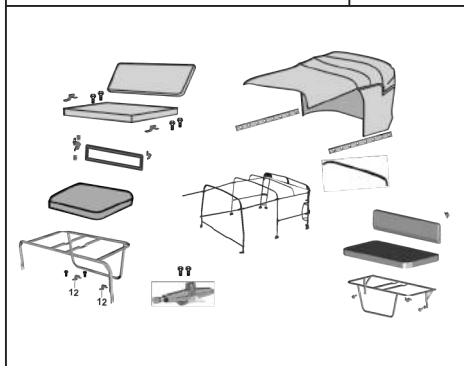


PLATE NO. : 52b
BODY-MAXIMA

PAGE NO.:
85,86

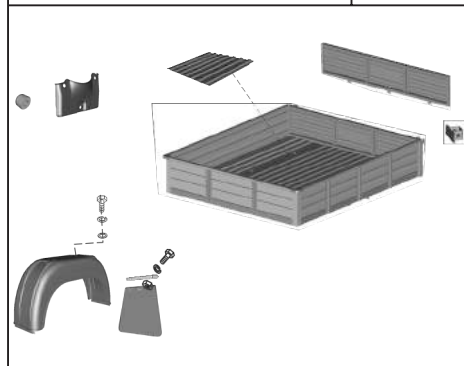


PLATE NO. : 53a
SEAT & HOOD FRAME - OPTIMA

PAGE NO.:
89

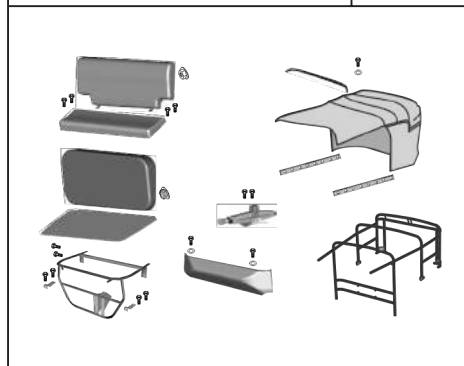
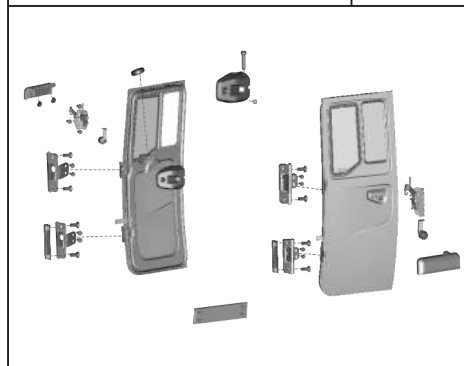


PLATE NO. : 54
DOOR ASSEMBLY (CARGO)

PAGE NO.:
91,92



Pictorial Index

RE COMPACT, COMPACT+
MAXIMA, CARGO DIESEL

PLATE NO. : 54
DOOR ASSEMBLY (CARGO)

PAGE NO.:
91,92

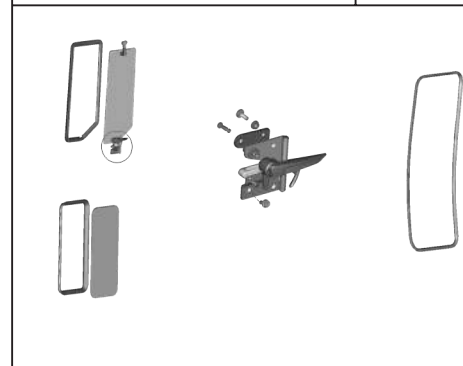


PLATE NO. : 56
HEAD LIGHT

PAGE NO.:
94

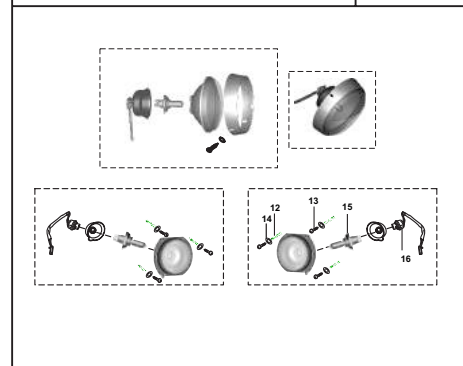


PLATE NO. : 58
TAIL LAMP ASSLY

PAGE NO.:
96

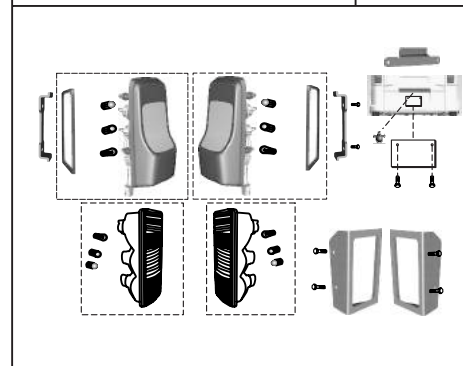


PLATE NO. : 55
BATTERY

PAGE NO.:
93

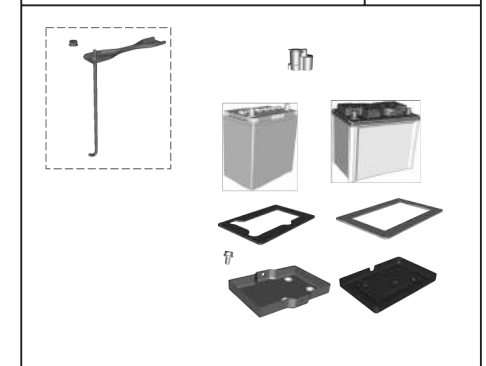


PLATE NO. : 57
INDICATORS

PAGE NO.:
95

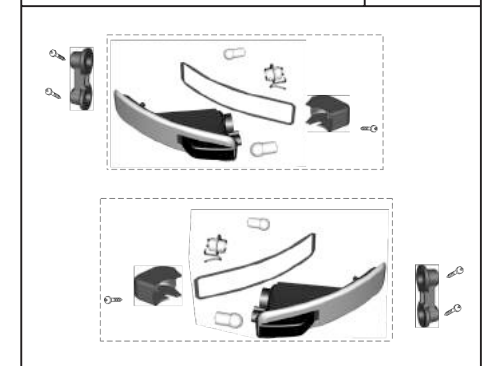
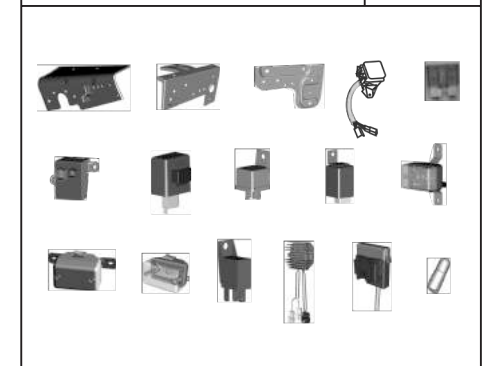


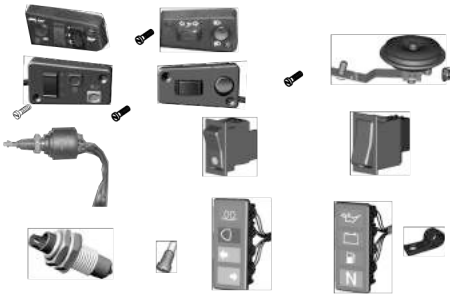
PLATE NO. : 59
ELECTRICAL UNITS

PAGE NO.:
97



Pictorial Index

RE COMPACT,COMPACT+
MAXIMA,CARGO DIESEL

PLATE NO. : 60 SWITCHES	PAGE NO.:
	
PLATE NO. :	PAGE NO.:
PLATE NO. :	PAGE NO.:

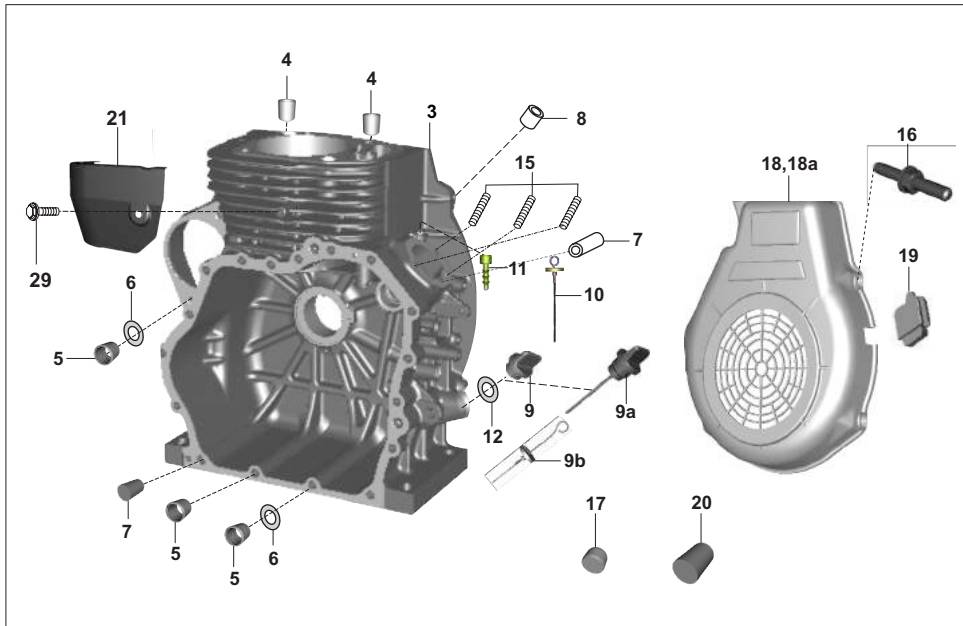
Pictorial Index

RE COMPACT,COMPACT+
MAXIMA,CARGO DIESEL

PLATE NO. :	PAGE NO.:
PLATE NO. :	PAGE NO.:
PLATE NO. :	PAGE NO.:

PLATE NO.1 : ENGINE, CYLINDER CRANKCASE

RE COMPACT,COMPACT+
MAXIMA,CARGO DIESEL

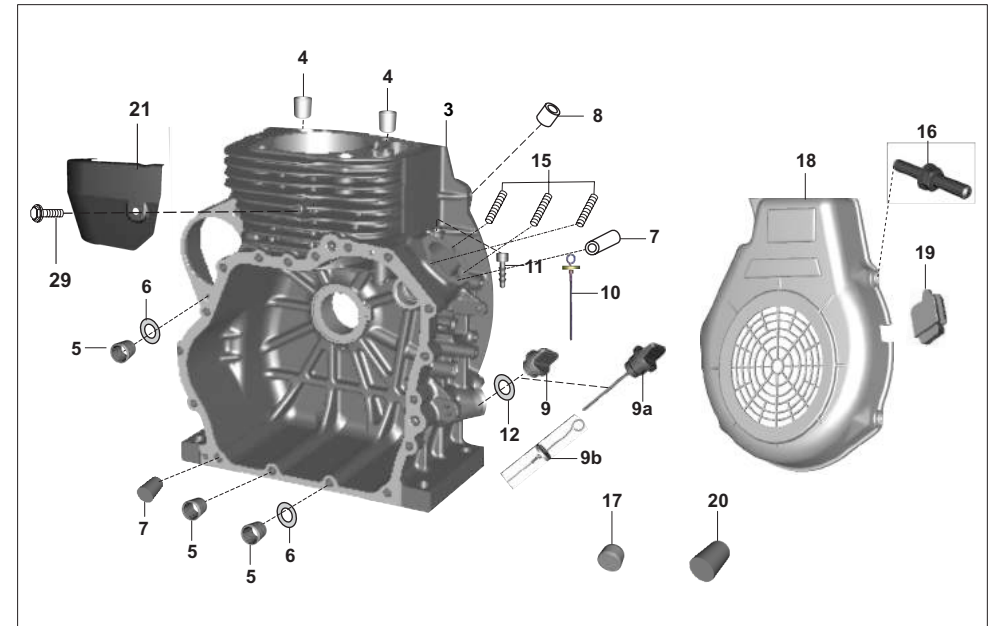


No.	Part No.	Description	BA	BH	BB	AL	Remarks
1	BA 1030 10	Assembly Engine compete.	1	--	--	--	N.I
1	BH 5010 09	Assembly Engine compete.	--	1	--	--	N.I
1	BB 1030 05	Assembly Engine compete.	--	--	1	1	N.I
2	BA 1330 00	Assembly trans. - 5 speed	1	--	--	--	N.I- Foot clutch
2	BA 1330 50	Assembly trans. - 5 speed	1	--	--	--	N.I- Hand Clutch
2	BH 5510 02	Assembly trans. - 5 speed	--	1	--	--	N.I- Foot clutch
2	BH 5510 04	Assembly trans. - 5 speed	--	1	--	--	N.I- Hand Clutch
2	BB 1330 00	Assembly trans. - 5 speed	--	--	1	--	N.I- Foot clutch
2	AL 1330 00	Assembly trans. - 5 speed	--	--	1	1	N.I- Hand Clutch
3	BB 1030 37	Assembly cylinder crankcase	--	1	--	--	
3	BB 1030 77	Assembly cylinder crankcase	1	--	1	1	From16.11.13
4	BA 1020 06	Dowel pin -head	2	2	2	2	
5	BA 1020 08	Pipe pin	3	3	3	3	
6	39 1013 21	O' ring	2	2	2	2	
7	39 1569 06	Spring dowel sleeve	1	1	1	1	
8	BA 1020 09	Pin Dowel	1	1	1	1	
9	BA 1020 38	Plug oil	1	1	1	1	
9a	BA 1020 80	Plug oil	1	--	--	--	
9b	Bb 1030 08	Gauge oil	--	--	1	1	
10	BG 5010 04	Gauge oil	--	1	--	--	
11	BG 5010 06	Plug	1	--	1	1	
12	39 1562 21	'O' ring	1	1	1	1	

BA - COMPACT
BH - COMPACT+
BB - MAXIMA
AL - CARGO

PLATE NO. 1 : ENGINE, CYLINDER CRANKCASE

RE COMPACT,COMPACT+
MAXIMA,CARGO DIESEL

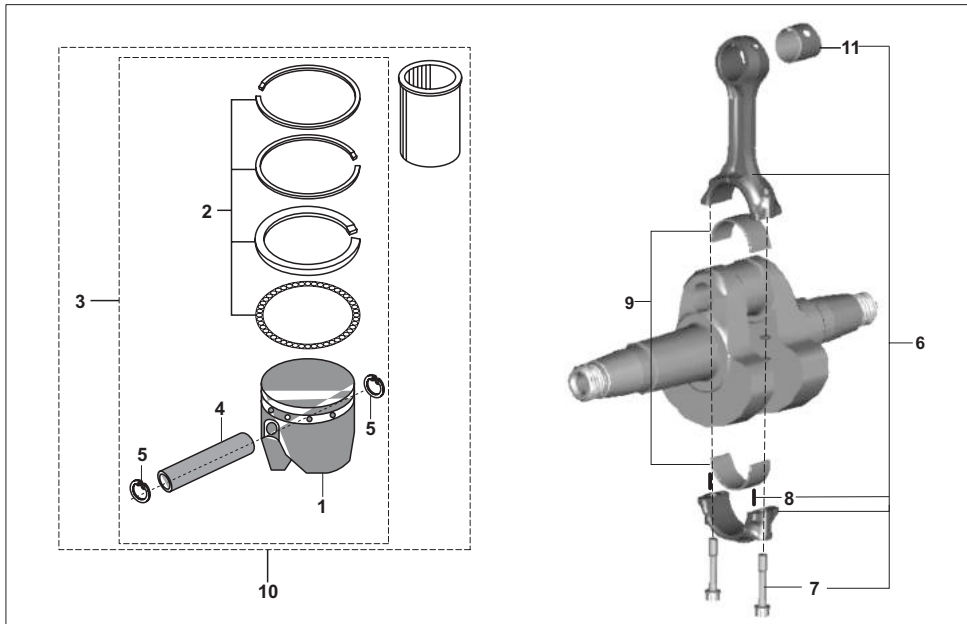


No.	Part No.	Description	BA	BH	BB	AL	Remarks
13	39 1635 05	Stud - M8 stater motor	2	2	2	2	N.I
14	39 2264 05	Stud - M8 (injection pump)	2	2	2	2	N.I
15	BA 1003 00	Stud M6X1	3	3	3	3	
16	BB 1009 02	Bolt Special	--	1	1	1	
17	BA 1020 03	Plug - oil hole	1	1	1	1	
18	BG 5412 00	Case spiral	1	1	--	--	
18	BB 1011 10	Case spiral	--	--	1	1	
19	BG 5412 01	Grommet	1	1	1	1	
20	39 2606 07	Parallel pin	1	1	--	--	
21	BA 1021 04	Cowling cylinder	1	1	1	1	
22	BA 1030 00	Assly eng & trans complete	1	--	--	--	N.I- Foot clutch
22	BA 1030 40	Assly eng & trans complete	1	--	--	--	N.I- Hand Clutch
23	BH 5010 07	Assly eng. & trans comp.-5 speed	--	1	--	--	N.I- Foot clutch
23	BH 5010 20	Assly eng. & trans.comp	--	1	--	--	N.I- Hand Clutch
24	BB 1030 00	Assembly comp. Eng & trans	--	--	1	--	N.I- Foot clutch
24	BB 1030 90	Assembly comp. Eng & trans	--	--	1	--	N.I- Hand Clutch
25	36 BB00 42	KIT c'case piston assly	1	--	1	--	
26	36 BB00 43	KIT c'case piston assly Optima	--	1	--	--	
27	76 0109 36	Thread lock tight 243	1	1	1	1	N.I
28	KA ED06 22	Bolt small case spiral	3	3	3	3	NI
29	39 1680 04	Flanged bolt	1	1	1	1	

BA - COMPACT
BH - COMPACT+
BB - MAXIMA
AL - CARGO

PLATE NO. 2 :PISTON & CONNECTING ROD ASSEMBLY

RE COMPACT,COMPACT+
MAXIMA,CARGO DIESEL

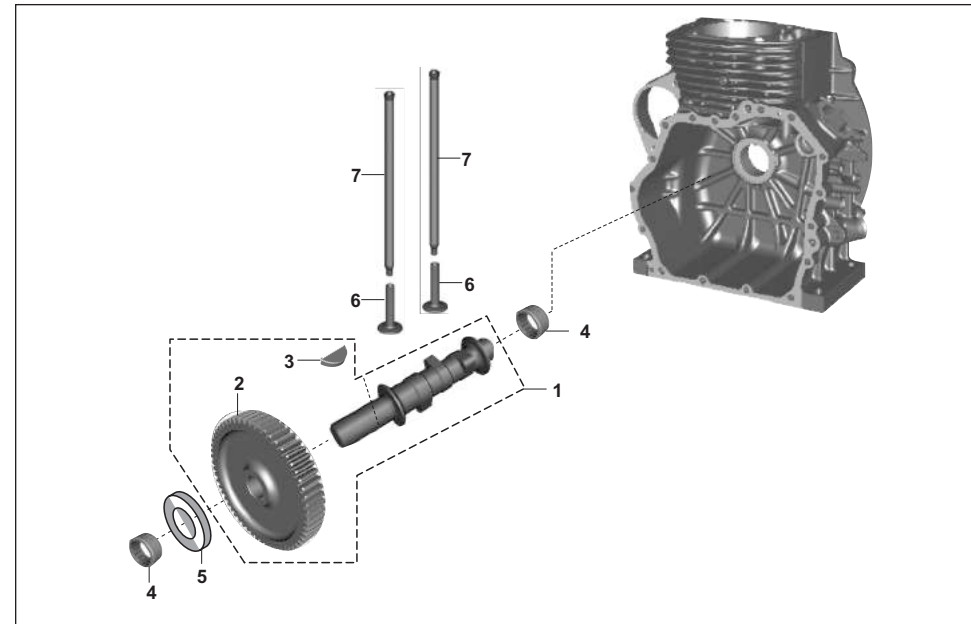


No.	Part No.	Description	BA	BH	BB	AL	Remarks
1	BB 1010 94	Piston standard	1	1	1	1	
2	36 BB00 12	Piston ring set std	1	1	1	1	KIT
3	BB 1010 95	Piston & ring Assembly	1	1	1	1	ns alt 12
4	BA 1020 61	Piston Pin	1	1	1	1	ns alt 12
5	BA 1020 62	Piston Pin Circlip	2	2	2	2	
6	BB 1011 65	Assembly con. Rod with 7,8 & 11	1	1	1	1	include 7,8 & 11
7	BB 1011 68	Bolt connecting rod	2	2	2	2	
8	39 2203 07	pin - parallel	2	2	2	2	
9	BA 1020 64	Bush crank pin	2	2	2	2	
10	36 BB00 06	Cylinder liner piston kit	1	1	1	1	
11	BB 1011 70	Bush (piston pin)	1	1	1	1	
12	36 BA40 27	kit piston pin gudgeon fl diesel	1	1	1	1	include 4 & 5

BA - COMPACT
BH - COMPACT+
BB - MAXIMA
AL - CARGO

PLATE NO. 3 : CAM SHAFT ASSEMBLY

RE COMPACT,COMPACT+
MAXIMA,CARGO DIESEL

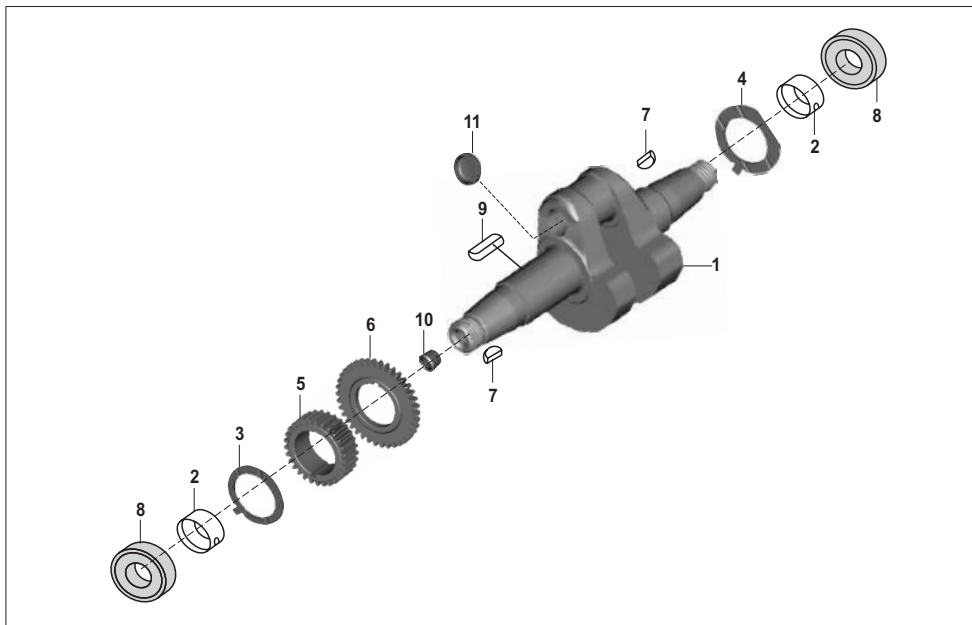


No.	Part No.	Description	BA	BH	BB	AL	Remarks
1	BB 1030 52	Assembly camshaft	1	1	1	1	
2	BA 1020 54	Gear (Cam)	1	1	1	1	
3	BA 1021 29	Woodruff Key	1	1	1	1	
4	39 1436 20	Needle roller bearing	2	2	2	2	
5	BA 1020 55	Shim (Cam Shaft)	1	1	1	1	
6	BA 1020 48	Tappet	2	2	2	2	
7	BA 1022 38	Push rods	2	2	2	2	
7	BB 1010 45	Rod push	2	2	2	2	

BA - COMPACT
BH - COMPACT+
BB - MAXIMA
AL - CARGO

PLATE NO. 4 : CRANKSHAFT ASSEMBLY

RE COMPACT,COMPACT+
MAXIMA,CARGO DIESEL

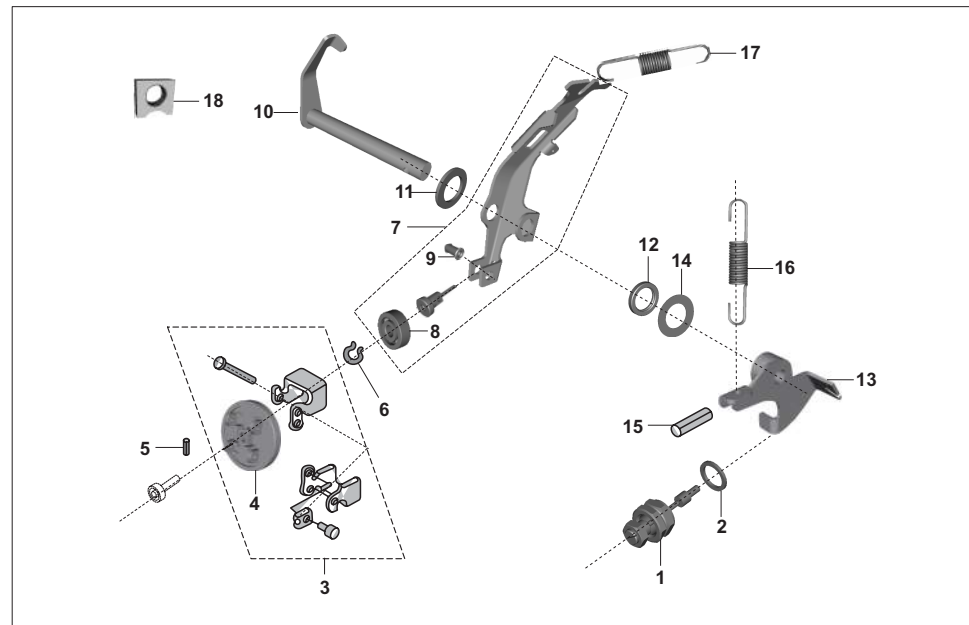


No.	Part No.	Description	BA	BH	BB	AL	Remarks
1	BA 1022 08	Crankshaft with gear assly	1	1	1	1	
2	BA 1020 68	Bearing main crank shaft	2	2	2	2	
3	BA 1023 09	Thrust washer (1)	1	1	1	1	
4	BA 1023 04	Thrust washer (2)	1	1	1	1	
5	BA 1020 71	Gear crankshaft	1	1	1	1	
6	BA 1020 72	Gear 1 balancer	1	1	1	1	
7	BA 1020 99	Woodruff key	2	2	2	2	
8	39 1499 19	Oil seal	2	2	2	2	
9	BA 1021 30	Feather Key (Crankshaft Gear)	1	1	1	1	
10	BA 1021 26	Bush crankshaft	1	1	1	1	
11	Ba 1021 18	Cap - sealing crankshaft	1	1	1	1	
12	BA 1021 74	Metal Crank Pin (Under size)	1	1	1	1	N.I
13	BA 1021 75	Main bearing Crankshaft (Under size)	1	1	1	1	N.I
14	BA 1021 19	Crankshaft comp	1	1	1	1	N.I

BA - COMPACT
BH - COMPACT+
BB - MAXIMA
AL - CARGO

PLATE NO. 5 : GOVERNOR

RE COMPACT,COMPACT+
MAXIMA,CARGO DIESEL

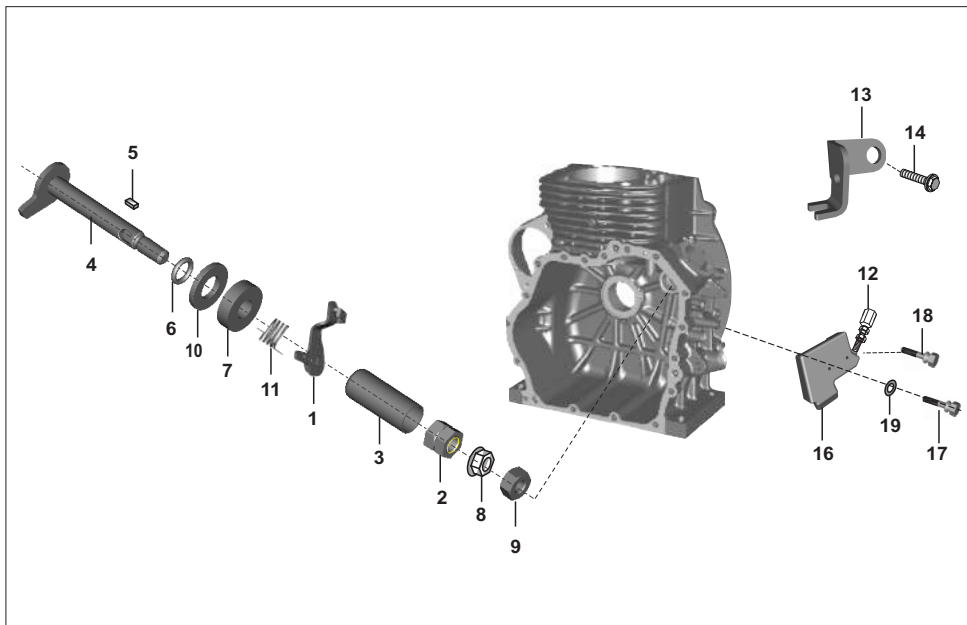


No.	Part No.	Description	BA	BH	BB	AL	Remarks
1	BB 1030 61	Limiter device -assy fuel	-	-	1	1	
1	BH 6114 00	Limiter device -assy fuel	1	1	-	-	
2	BA 1020 87	Packing	1	1	1	1	
3	BA 1220 29	Governor gear complete	1	1	1	1	
4	BA 1220 30	Gear governor	1	1	1	1	
5	39 1570 06	Spring dowel sleeve	1	1	1	1	
6	BA 1220 32	Stopper clip lock	1	1	1	1	
7	BB 1210 80	Lever complete -1 (Governor)	1	1	1	1	
8	39 1430 20	Bearing - ball :- 6 x 19 x 6	1	1	1	1	
9	BA 1220 41	pin - governor shaft	1	1	1	1	
10	BB 1210 82	Lever - 2 (Governor)	1	1	1	1	
11	LD A000 02	Plain washer Small	1	1	1	1	
12	BB 1210 83	Oil seal- shaft governor	1	1	1	1	
13	BB 1210 84	Lever 3 (Governor)	1	1	1	1	
14	BB 1210 85	Shim governor	1	1	1	1	
15	KH CA04 18	pin-spring(ba121044)	1	1	1	1	
16	BA 1220 44	Governor Spring	1	1	1	1	
17	BB 1210 97	Spring tension (Idling)	1	1	1	1	
18	BA 1220 34	Collar - governor weight	2	2	2	2	

BA - COMPACT
BH - COMPACT+
BB - MAXIMA
AL - CARGO

PLATE NO. 6 : SPEED CONTROL LEVERS

RE COMPACT,COMPACT+
MAXIMA,CARGO DIESEL

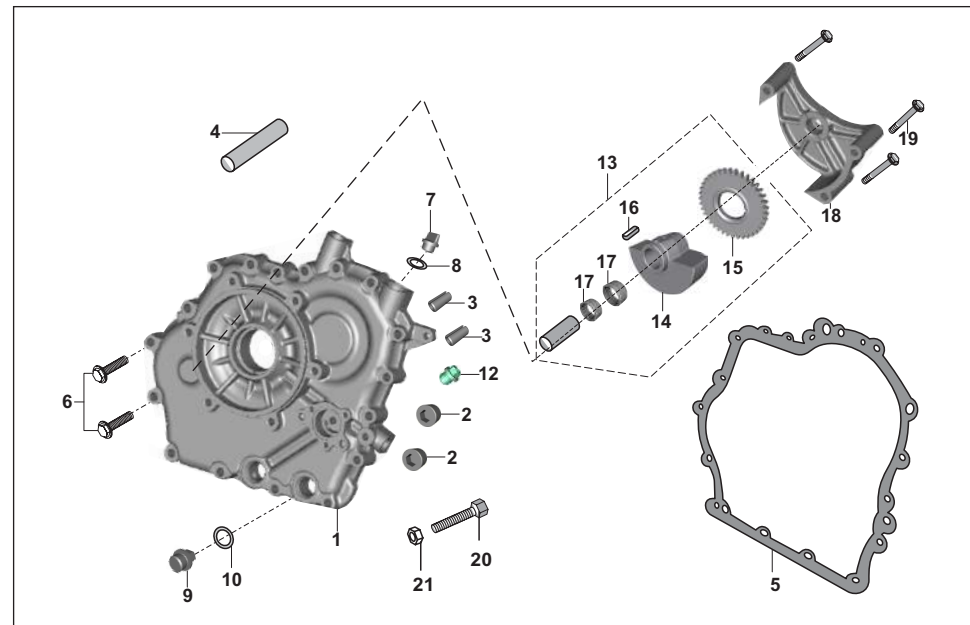


No.	Part No.	Description	BA	BH	BB	AL	Remarks
1	BB 1030 30	Lever assembly control	1	1	1	1	
2	BA 1220 51	Nut lock	1	1	1	1	
3	BA 1220 52	Nut - nyloc :- M5 X 0.8	1	1	1	1	
4	BA 1220 47	Shaft complete (speed limit)	1	1	1	1	
5	BA 1220 48	Feather key	1	1	1	1	
6	39 1561 21	"O" ring	1	1	1	1	
7	BA 1220 49	Disc Friction	1	1	1	1	
8	39 1581 15	Flange nut	1	1	1	1	
9	39 1580 15	Hexagon nut	1	1	1	1	
10	39 1180 11	Plain washer	1	1	1	1	
11	BA 1220 50	Stop spring	1	1	1	1	
12	BB 1011 71	Adjuster with nut	1	1	1	1	
13	BA 1222 16	Release holder	1	1	1	1	
14	39 1680 04	Bolt flanged small	2	2	2	2	
15	39 2317 04	Bolt hexagon head M6	1	1	1	1	NI
16	BB 1030 04	Cover for governor lever	1	1	1	1	
17	BA 1021 86	Screw - lock :- 1 Short	1	1	1	1	
18	BA 1021 87	Screw - lock :- 2 Long	1	1	1	1	
19	39 1573 11	Plain washer	1	1	1	1	

BA - COMPACT
BH - COMPACT+
BB - MAXIMA
AL - CARGO

PLATE NO. 7 : COVER CRANKCASE & WEIGHT BALANCER

RE COMPACT,COMPACT+
MAXIMA,CARGO DIESEL

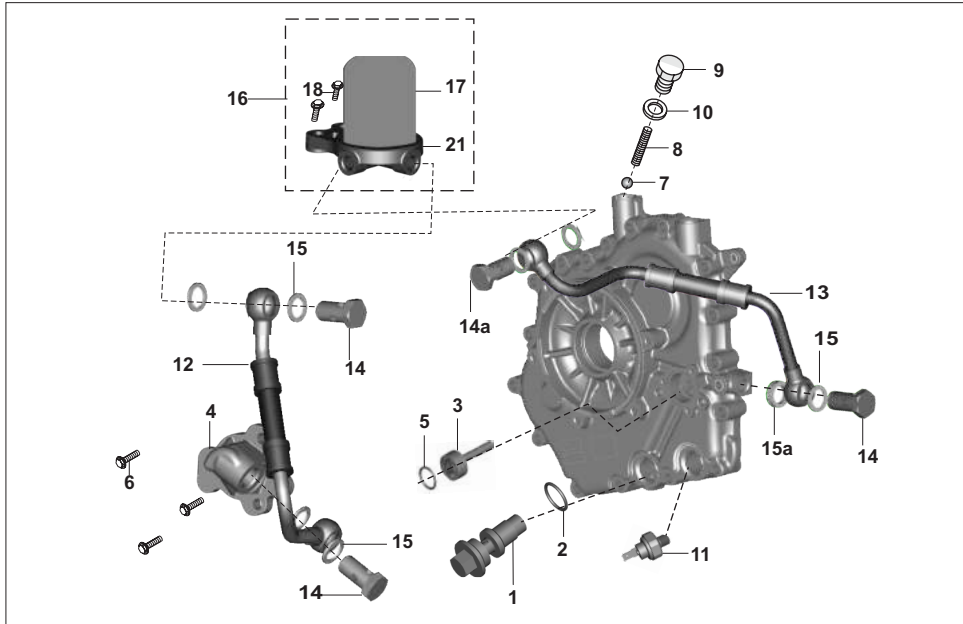


No.	Part No.	Description	BA	BH	BB	AL	Remarks
1	BA 1022 90	Assembly cover C'case	1	1	1	1	
2	BA 1020 04	Plug	2	1	1	1	
3	39 1569 06	Spring dowel sleeve	2	2	2	2	
4	BA 1020 07	Shaft Balancer	1	1	1	1	
5	BA 1020 05	Gasket side cover (0.6 mm)	1	1	1	1	
5	BA 1021 32	Gasket side cover (0.7 mm)	1	1	1	1	
5	BA 1021 31	Gasket side cover (0.5 mm)	1	1	1	1	
6	39 1558 04	Flange bolt	17	17	17	17	
7	BA 1020 38	Plug oil filler	1	1	1	1	
8	39 1562 21	"O" ring	1	1	1	1	
9	BB 1030 71	Assembly plug drain	1	1	1	1	
10	39 1564 21	'O' ring	-	1	1	1	
11	59 2100 23	'O' ring	1	1	1	1	NI
12	BB 1030 10	Plug oil gauge	-	-	1	1	
13	BB 1011 73	Weight complete (balancer)	1	1	1	1	
14	BB 1011 72	Weight Balancer	1	1	1	1	
15	BA 1020 77	Gear (2 Balancer)	1	1	1	1	
16	BA 1020 78	Feather key for Balancer	1	1	1	1	
17	39 1435 20	Needle Roller Bearing	2	2	2	2	
18	BA 1020 76	Case Balancer	1	1	1	1	
19	BA 1022 55	Bolt pre-coaled	3	3	3	3	
20	39 1547 04	Hexagon bolt	1	1	1	1	
21	39 1579 15	Hexagon nut	1	1	1	1	

BA - COMPACT
BH - COMPACT+
BB - MAXIMA
AL - CARGO

PLATE NO. 8 : OIL PUMP

RE COMPACT,COMPACT+
MAXIMA,CARGO DIESEL

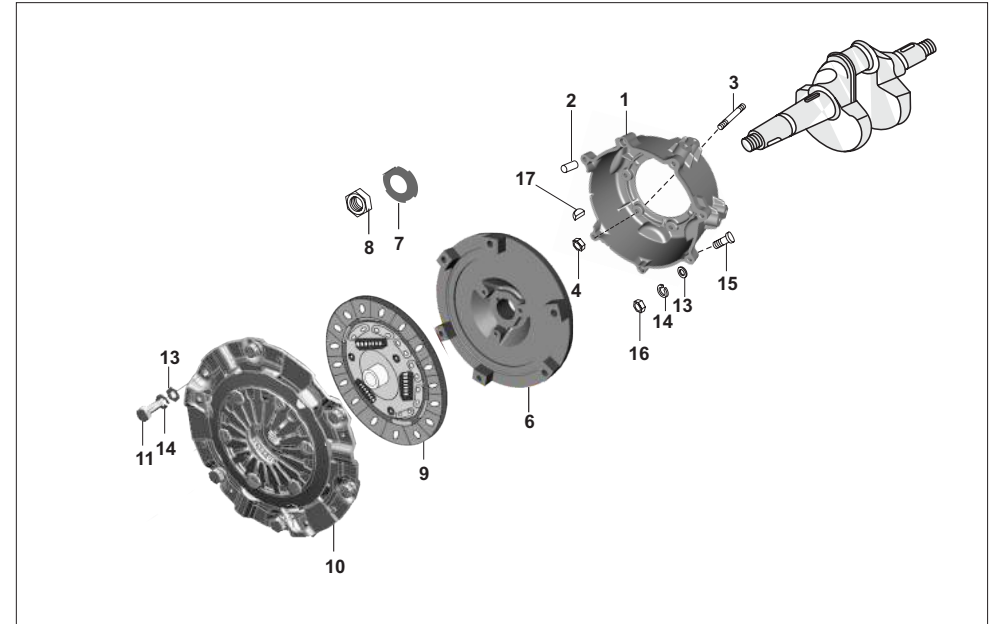


No.	Part No.	Description	BA	BH	BB	AL	Remarks
1	BB 1030 11	Strainer	1	1	1	1	
2	59 2100 23	"O" Ring	1	1	1	1	
3	BA 1222 05	Rotor assembly (Oil pump)	1	1	1	1	
4	BA 1222 04	Oil pump cover	1	1	1	1	
5	39 1497 21	"O" Ring	1	1	1	1	
6	39 1197 04	Bolt hexagon socket head	3	3	3	3	
7	BA 1021 27	Ball	1	1	1	1	
8	BA 1022 93	Spring	1	1	1	1	
9	BA 1020 84	Plug	1	1	1	1	
10	39 1445 25	Sealing ring	1	1	1	1	
11	BA 2010 82	Oil Pressure switch	1	1	1	1	
12	BB 1030 06	Oil tube (Small)	1	1	1	1	C' case cover to filter
13	BB 1030 07	Oil tube (Big)	1	1	1	1	Filter to cover c' case
14	BB 1030 84	Banjo bolt	3	3	3	3	
14a	BB 1222 22	Banjo bolt mh 14	1	1	1	1	
15	BA 1221 43	Copper washer	7	7	7	7	
15a	BB 1222 23	Copper washer	1	1	1	1	
16	BA 1222 09	Assly oil filter	1	1	1	1	
17	BA 1021 13	Filter oil cartridge	1	1	1	1	
18	59 0400 48	Hex head bolt- filter	2	2	2	2	
19	39 1686 06	Hollow Dowel Pin	2	2	2	2	NI
20	39 1802 04	Hex soc head cap bolt	3	3	3	3	NI
21	BA 1222 10	Cover oil filter	1	1	1	1	

BA - COMPACT
BH - COMPACT+
BB - MAXIMA
AL - CARGO

PLATE NO. 9 : CLUTCH

RE COMPACT,COMPACT+
MAXIMA,CARGO DIESEL

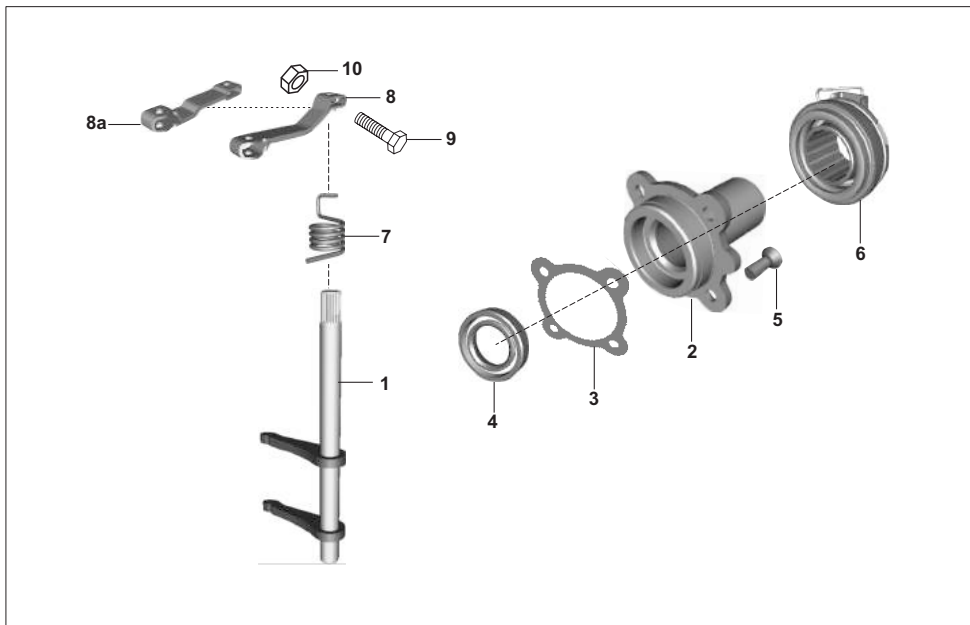


No.	Part No.	Description	BA	BH	BB	AL	Remarks
1	BB 1320 03	Clutch housing	1	1	1	1	
2	BA 1321 22	Dowel - hollow	2	2	2	2	
3	39 1423 05	Stud	6	6	6	6	
4	LC G000 10	nut flange	6	6	6	6	
5	39 0694 15	Nut	7	7	7	7	
6	BA 1320 94	Flywheel	1	1	1	1	
7	BA 1322 72	Lock washer	1	1	1	1	
8	BA 1321 04	Nut (M 27 x 1.5)	1	1	1	1	
9	BA 1330 22	Clutch disc assembly	1	1	1	1	Foot Clutch
9	BA 1330 40	Clutch disc assembly	1	1	1	1	Hand Clutch
10	BA 1330 23	Cover assy.-cl pressure plate	1	1	1	1	Foot Clutch
10	BA 1330 39	Cover assy.-cl pressure plate	1	1	1	1	Hand Clutch
11	39 0435 01	Screw	4	4	4	4	
12	BA 1320 95	Bolt special	2	2	2	2	
13	39 1582 11	Plain washer	11	11	11	11	
14	39 1828 12	Spring washer	11	11	11	11	
15	39 1431 04	"D" Bolt	5	5	5	5	
16	39 1970 15	Hex lock nut	5	5	5	5	
17	BA 1020 99	Key woodruff	1	1	1	1	
18	KA DD08 40	Bolt flanged	3	3	3	3	

BA - COMPACT
BH - COMPACT+
BB - MAXIMA
AL - CARGO

PLATE NO. 10 : CLUTCH SHAFT ASSEMBLY

RE COMPACT,COMPACT+
MAXIMA,CARGO DIESEL

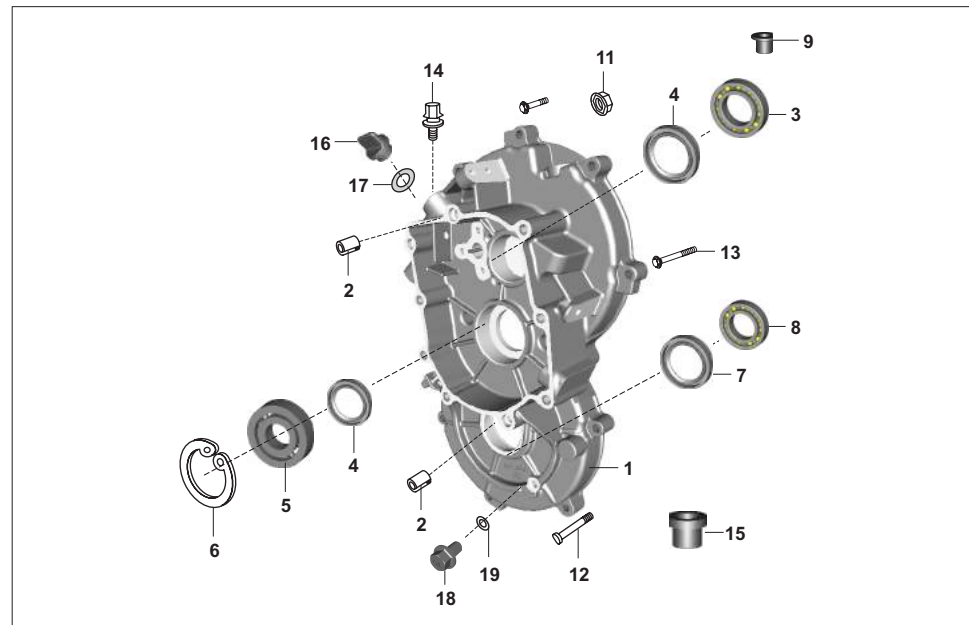


No.	Part No.	Description	BA	BH	BB	AL	Remarks
1	BB 1311 36	Assly clutch shaft	1	-	1	1	
1	BH 5514 00	Assly clutch shaft	--	1	--	--	
2	BA 1322 44	Sleeve retainer	1	1	1	1	
3	BA 1322 46	Gasket sleeve retainer	1	1	1	1	
4	39 1535 19	Oil Seal	1	1	1	1	
5	BA 1321 85	Screw pre coated	4	4	4	4	ALT-39075201
6	BA 1322 11	Clutch release bearing	1	1	1	1	
7	BB 1311 38	Spring clutch lever	1	--	1	1	
7	BH 5514 02	Spring clutch lever	--	1	--	--	
8	BA 1320 17	Clutch lever	1	--	1	1	
8a	BH 5514 03	Clutch lever	--	1	--	--	
9	39 0802 04	Square bolt	1	1	1	1	
10	39 1970 15	Nut hex small	1	1	1	1	

BA - COMPACT
BH - COMPACT+
BB - MAXIMA
AL - CARGO

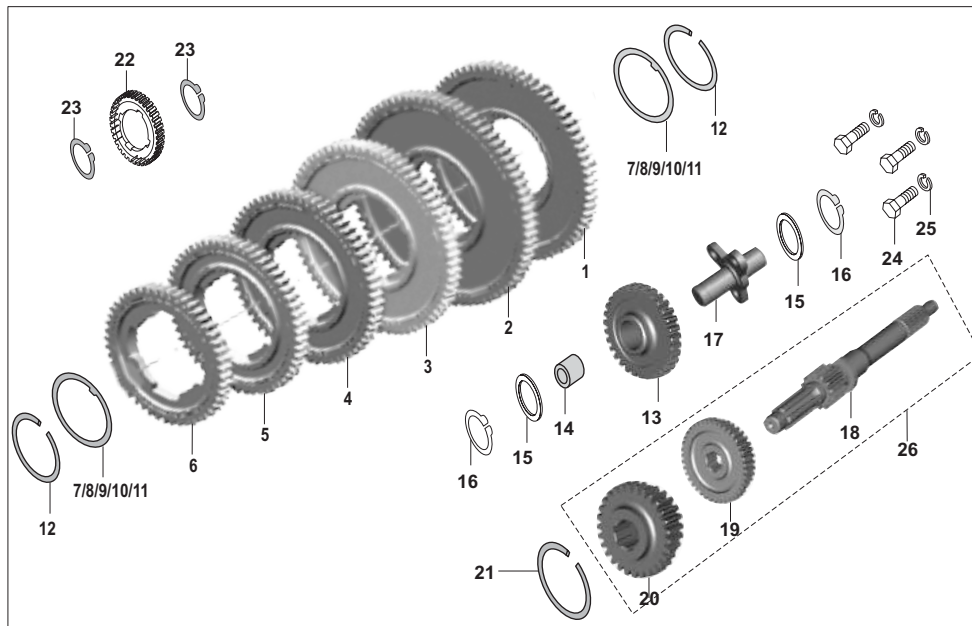
PLATE NO. 11 : MAIN HOUSING

RE COMPACT,COMPACT+
MAXIMA,CARGO DIESEL



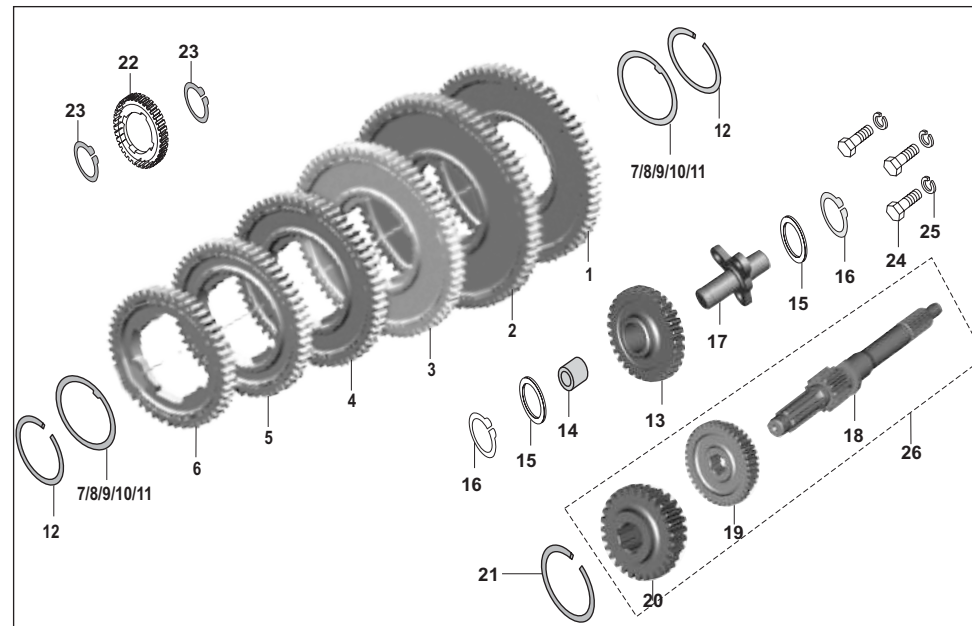
No.	Part No.	Description	BA	BH	BB	AL	Remarks
1	BA 1330 16	Main housing	1	-	-	--	
1	BH 5520 05	Main housing	--	1	--	--	
1	Bb 1330 25	Main housing	--	--	1	1	
2	BA 1321 22	Hallow dowel	2	2	2	2	
3	15 1010 11	Ball bearing (clutch shaft)	1	1	1	1	
4	39 1534 19	Oil seal	1	1	1	1	
5	39 1324 20	Ball bearing (main shaft)	1	1	1	1	
6	BA 1321 34	Circlip	1	1	1	1	
7	BF 5516 13	Oil Seal	1	1	1	1	
8	KP BB60 07	Ball bearing (differential)	1	1	1	1	
9	BA 1320 12	Bush top	1	1	1	1	
10	39 1423 05	Stud	4	4	4	4	NI
11	39 1970 15	Flange nut	5	5	5	5	
12	39 1431 04	D bolt	3	3	3	3	
13	39 1394 04	Bolt - flanged	2	2	2	2	
14	BA 1321 79	Breather assembly	1	1	1	1	
15	BB 1311 66	Bush bottom	1	1	1	1	
16	BA 1020 38	Oil plug	1	1	1	1	
17	39 1562 21	O ring	1	1	1	1	
18	AL 1310 74	Oil plug	1	1	1	1	
19	39 1585 11	Plain washer	1	1	1	1	

BA - COMPACT
BH - COMPACT+
BB - MAXIMA
AL - CARGO



No.	Part No.	Description	BA	BH	BB	AL	Remarks
1	BB 1330 13	Reverse gear (Main shaft)1	1	1	1	1	
2	BB 1330 14	Speed gear 1	1	1	1	1	
3	BB 1330 15	Speed gear 2	1	1	1	1	
4	BB 1330 16	Speed gear 3	1	1	1	1	
5	BB 1330 17	Speed gear 4	1	1	1	1	
6	BB 1330 18	Speed gear 5	1	1	1	1	
7	19 1010 16	Shoulder ring1	1	1	1	1	
7a	BB 1330 93	Shoulder ring	1	1	1	1	NI
8	19 1010 17	Shoulder ring No. 2	2	2	2	2	
9	19 1010 18	Shoulder ring No. 3	2	2	2	2	
10	19 1010 19	Shoulder ring No. 4	2	2	2	2	
11	19 1010 20	Shoulder ring No. 5	2	2	2	2	
12	BA 1320 88	Circlip	2	2	2	2	
13	BB 1330 26	R.C. gear assly	1	1	1	1	
14	BA 1321 16	Bushing	1	1	1	1	
15	39 1874 11	Plain Washer	2	2	2	2	
16	39 0738 17	Circlip	2	2	2	2	
17	AL 1310 81	Shaft for R.C. gear	1	1	1	1	
18	BB 1330 04	Multiple Gear Shaft	1	1	1	1	
19	BB 1330 05	Multiple Gear1	1	1	1	1	

BA - COMPACT
BH - COMPACT+
BB - MAXIMA
AL - CARGO

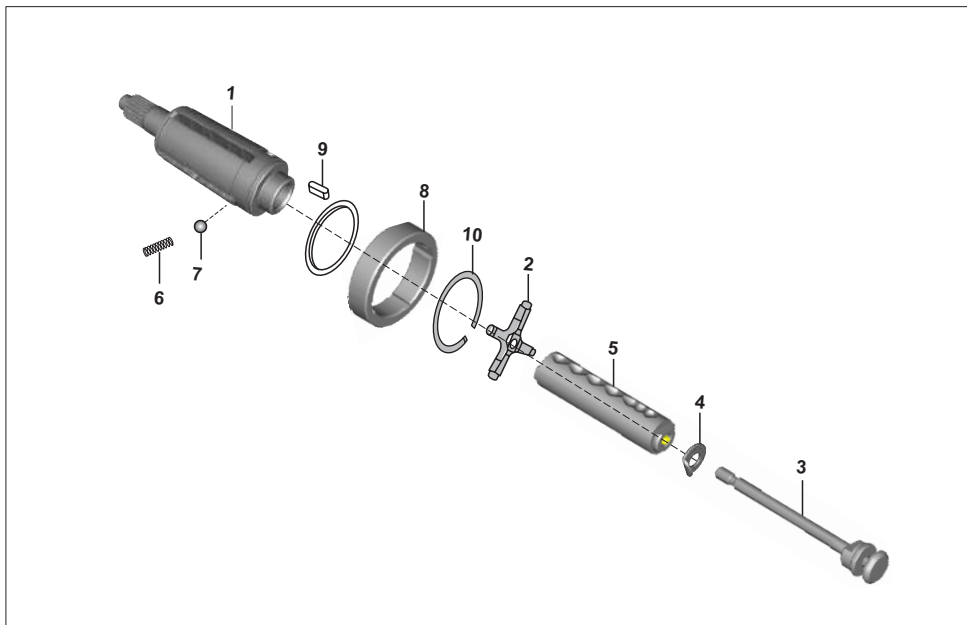


No.	Part No.	Description	BA	BH	BB	AL	Remarks
20	BB 1330 06	Multiple gear2	1	1	1	1	
21	39 1572 17	Circlip -external	1	1	1	1	
22	BA 1330 33	Pinion differential	1	-	-	-	
22	BH 5516 18	Pinion differential	--	1	-	--	
22	Bb 1330 98	Pinion differential	-	-	1	1	
23	KE AB24 12	Circlip external	2	2	2	2	
24	39 1958 04	Bolt Flange M6	3	3	3	3	
25	39 1826 12	Washer spring	3	3	3	3	
26	BB 1330 03	Shaft multiple gear assly	1	1	1	1	INCL-18,19,20

BA - COMPACT
BH - COMPACT+
BB - MAXIMA
AL - CARGO

PLATE NO. 15 : MAIN SHAFT ASSEMBLY

RE COMPACT,COMPACT+
MAXIMA,CARGO DIESEL

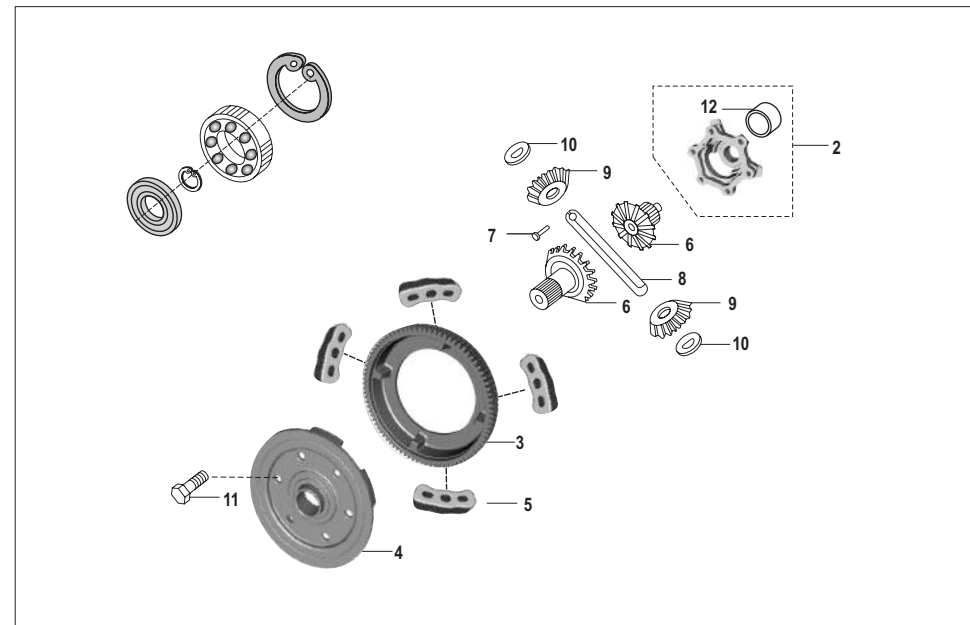


No.	Part No.	Description	BA	BH	BB	AL	Remarks
1	BB 1330 10	Main shaft	1	1	1	1	from 01.03.2011
2	BB 1330 84	Cross	1	1	1	1	BA 1321 88
3	BB 1330 68	Stem gear selector	1	1	1	1	
4	BA 1320 45	Tab washer (lock plate)	1	1	1	1	
5	BB 1330 85	Gear selector	1	1	1	1	foot clutch
5	BB 1331 32	Gear selector	1	1	1	1	Hand clutch
6	BG 5510 11	Spring	2	2	2	2	foot clutch
6	BB 1331 30	Spring	2	2	2	2	Hand clutch
7	01 1801 23	Steel ball	2	2	2	2	
8	BB 1330 62	Drive gear fare meter	1	1	1	1	
9	BB 1330 44	Key	1	1	1	1	
10	BA 1320 88	Circlip external	1	1	1	1	
10	21 1007 11	Circlip external	1	1	1	1	
11	BB 1330 61	Assembly shaft main	1	1	1	1	NI- foot clutch
11	BB 1331 31	Assembly shaft main	1	1	1	1	NI- Hand Clutch

BA - COMPACT
BH - COMPACT+
BB - MAXIMA
AL - CARGO

PLATE NO. 16 : DIFFERENTIAL GEAR ASSEMBLY

RE COMPACT,COMPACT+
MAXIMA,CARGO DIESEL

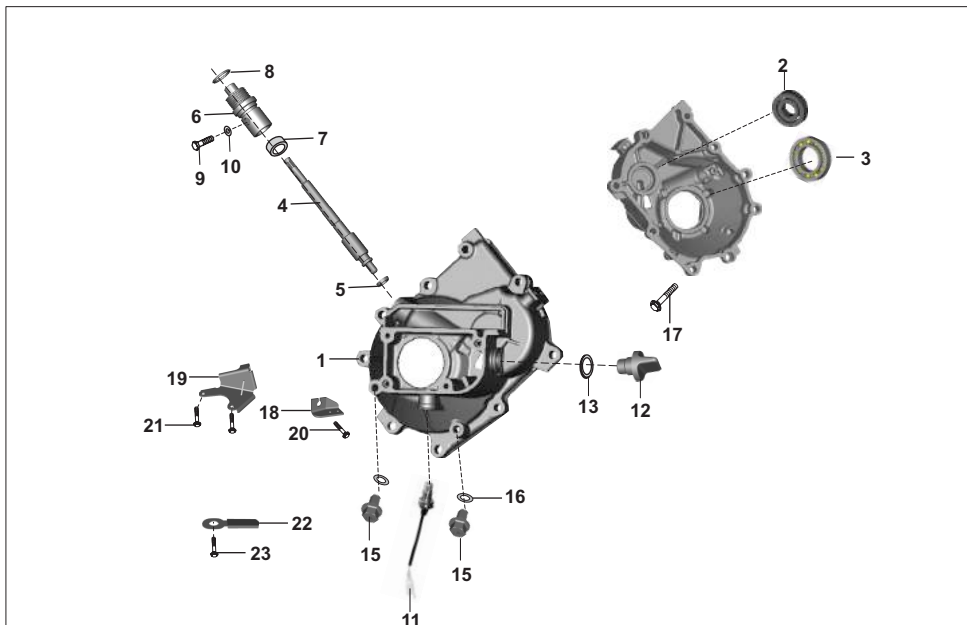


No.	Part No.	Description	BA	BH	BB	AL	Remarks
1	BA 1330 32	Assembly differential damper	1	-	-	-	NI
2	BG 5516 13	Housing satellite-for damper	1	-	-	-	
3	BA 1330 31	Differential gear damper	1	-	-	-	
4	BG 5516 18	Differential hub	1	-	-	-	
5	BG 5516 15	Damper integrated	4	-	-	-	
6	AL 1310 59	Gear bevel	2	-	-	-	
7	BG 5516 14	Pin	1	-	-	-	
8	24 1310 32	Pin -bevel gear	1	-	-	-	
9	AL 1310 58	Satellite gear	2	-	-	-	
10	22 1310 14	Spacer	2	-	-	-	
11	BA 1322 01	Flange bolt	6	-	-	-	
12	24 1301 11	Bush -bevel gear housing	1	-	-	-	

BA - COMPACT
BH - COMPACT+
BB - MAXIMA
AL - CARGO

PLATE NO. 12 : GEAR BOX COVER

RE COMPACT,COMPACT+
MAXIMA,CARGO DIESEL

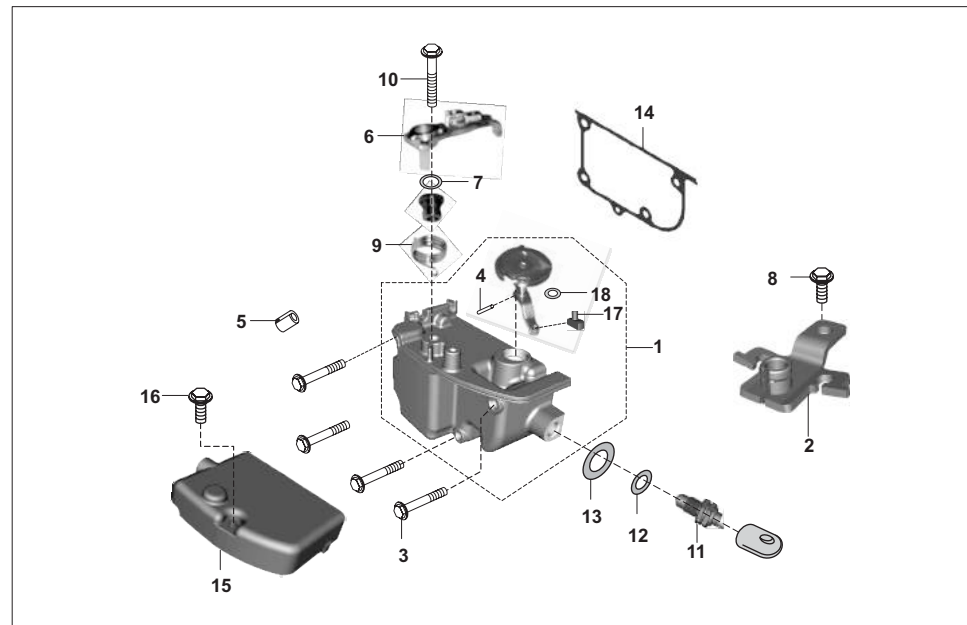


No.	Part No.	Description	BA	BH	BB	AL	Remarks
1	BB 1330 22	Gear box cover	1	1	1	1	
2	30 1510 65	Ball bearing	1	1	1	1	
3	39 1487 20	Ball bearing	1	1	1	1	
4	BG 5526 00	Drive shaft fare meter(13 teeth)	1	1	1	1	
4	AL 1310 07	Drive shaft fare meter(15 teeth)	--	1	1	1	fr.10.2.14 to 7.6.14
5	BA 1320 64	Washer	1	1	1	1	
6	BB 1330 82	Bush	1	1	1	1	
7	39 1498 19	Oil seal	1	1	1	1	
8	39 1587 21	"O" ring	1	1	1	1	
9	LA E000 17	Bolt	1	1	1	1	
10	39 0198 11	Plain washer	1	1	1	1	
11	BH 4014 00	Switch -reverse(1 pole coup n)	1	1	1	1	
12	AN 1310 07	Cap - oil filling	1	1	1	1	
13	03 1502 07	"O" ring	1	1	1	1	
13	39 1537 21	O ring	--	1	1	1	
14	KA DD06 70	Bolt - flange	4	4	4	4	
15	AL 1310 74	Plug - oil	2	2	2	2	
16	39 1585 11	Plain washer	2	2	2	2	
17	59 0400 48	Bolt flange M8x1.25	7	7	7	7	
18	BA 1321 21	Bracket clutch cable	1	--	1	1	
19	BH 5514 04	Bracket clutch cable	--	1	--	--	
20	39 1943 04	Bolt - flange cl cable bkt	2	2	2	2	
21	KA DE08 50	Bolt flanged	--	2	--	--	
22	BA 2010 07	Clamp	1	1	1	1	
23	KA DE08 35	Bolt flanged	1	1	1	1	

BA - COMPACT
BH - COMPACT+
BB - MAXIMA
AL - CARGO

PLATE NO. 13 : GEAR SHIFTER ASSEMBLY

RE COMPACT,COMPACT+
MAXIMA,CARGO DIESEL

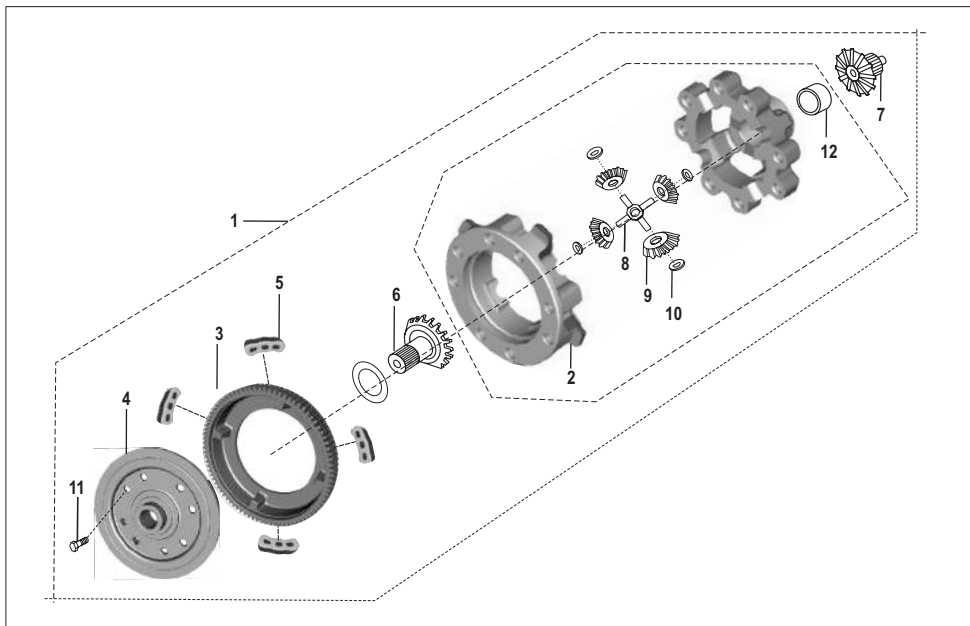


No.	Part No.	Description	BA	BH	BB	AL	Remarks
1	BB 1330 28	Gear shifter assly	1	1	1	1	Foot clutch
1	BB 1331 15	Gear Shifter Assly	1	1	1	1	Hand Clutch
2	BB 1330 54	Bracket rev. Cable	1	1	1	1	Foot Clutch
2	BB 1331 14	Bracket Rev. Cable	1	1	1	1	Hand Clutch
3	KA DD06 70	Bolt flanged gear shifter	4	4	4	4	
4	39 0426 06	Spring type strt pin	1	1	1	1	
5	39 0992 06	Dowel	1	1	1	1	
6	BB 1330 49	Lever reverse lock	1	1	1	1	
7	39 1046 19	Seal - Oil	1	1	1	1	
8	KA Dd06 14	Bolt flanged	1	1	1	1	
9	BB 1330 51	Spring	1	1	1	1	
10	KA DD06 25	Bolt flanged	1	1	1	1	
11	AP 1110 23	Neutral switch	1	1	1	1	
12	39 0804 11	Washer - plain	1	1	1	1	
13	20 1010 20	Gasket (material :- aluminium)	1	1	1	1	
14	BB 1330 42	Gasket Shifter Cover	1	1	1	1	
15	BB 1330 41	Gear Shifter Cover	1	1	1	1	
16	KA DD05 16	Bolt-flange- gear shifter cover	1	1	1	1	
17	BA 1321 41	Slider Block	--	1	1	1	
18	KD BE06 13	Washer plain lever sector	1	1	1	1	
19	BB 1330 50	Spacer	1	1	1	1	NI

BA - COMPACT
BH - COMPACT+
BB - MAXIMA
AL - CARGO

PLATE NO. 16a : DIFFERENTIAL GEAR ASSEMBLY

RE COMPACT,COMPACT+
MAXIMA,CARGO DIESEL

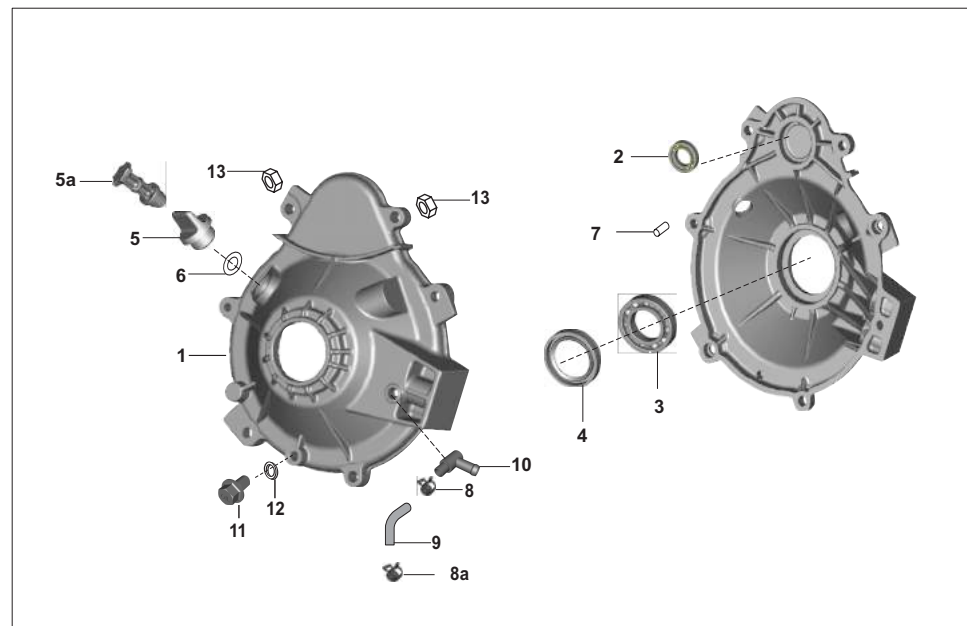


No.	Part No.	Description	BA	BH	BB	AL	Remarks
1	BH 5516 17	Assembly differential damper	--	1	--	--	
1	BB 1330 97	Assembly differential damper	--	--	1	1	
2	BB 1330 52	Housing satellite-for damper	--	1	1	1	
3	BH 5516 14	Differential gear damper	--	1	--	--	
3	BB 1330 99	Differential gear damper	--	--	1	1	
4	BB 1330 55	Differential hub	--	1	1	1	
5	BG 5516 15	Damper integrated	--	4	4	4	
6	BH 5516 16	Sun Gear RH	--	1	1	1	from 27.08.2013
6	BH 5516 10	Sun Gear RH	--	1	1	1	upto 26.08.2013
7	BH 5516 15	Sun Gear LH	--	1	1	1	from 27.08.2013
7	BH 5516 09	Sun Gear LH	--	1	1	1	upto 26.08.2013
8	AL 1310 55	Cross-differential	--	1	1	1	
9	AL 1310 58	Satellite gear	--	4	4	4	
10	22 1310 14	Spacer	--	4	4	4	
11	AL 1311 27	Flange bolt	--	8	8	8	

BA - COMPACT
BH - COMPACT+
BB - MAXIMA
AL - CARGO

PLATE NO. 17 : DIFFERENTIAL COVER ASSEMBLY

RE COMPACT,COMPACT+
MAXIMA,CARGO DIESEL

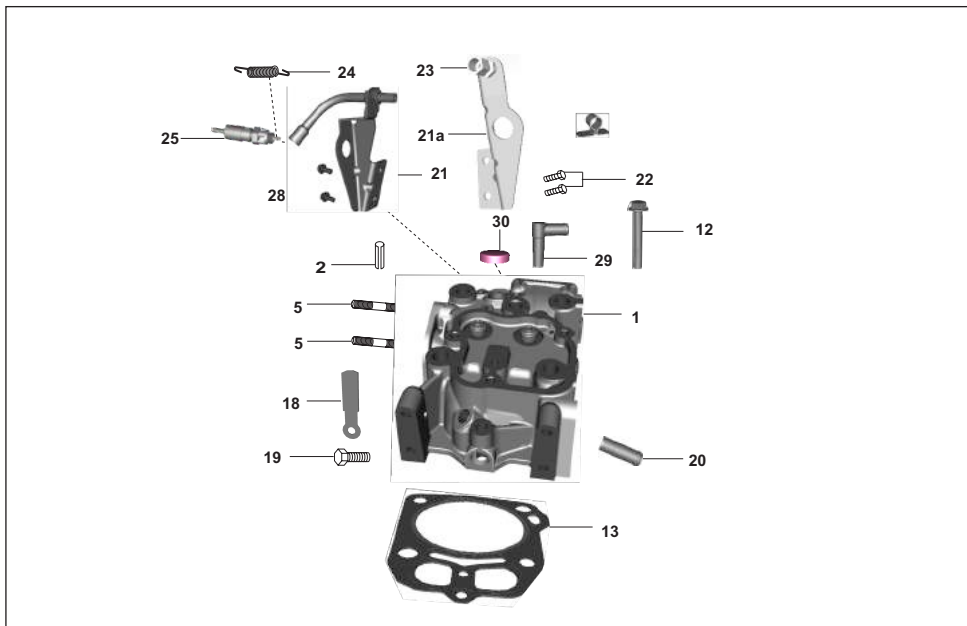


No.	Part No.	Description	BA	BH	BB	AL	Remarks
1	BA 1330 18	Cover differential	1	--	--	--	
1	BB 1320 09	Cover differential	--	1	1	1	
2	30 1510 65	Ball bearing	1	1	1	1	
3	KP BB60 07	Ball bearing (Sealed)	1	1	1	1	
4	BF 5516 13	Seal - Oil - 50 X 10	2	2	2	2	
5	BA 1020 38	Oil plug	1	1	1	1	
5a	AL 1310 76	Plug - oil differential	--	1	1	1	
6	39 1562 21	'O' ring	1	1	1	1	
7	BA 1321 22	Hollow dowel	2	2	2	2	
8	BA 1021 47	Clip - pipe	1	1	1	1	
8a	AP 1210 74	Clip - pipe	1	1	1	1	
9	BA 1021 46	Tube breather	1	1	1	1	
10	BA 1022 07	Breather pipe joint	1	1	1	1	
12	39 1585 11	Plain washer	1	1	1	1	
13	39 1970 15	Nut - hexagon with flange M8	2	2	2	2	

BA - COMPACT
BH - COMPACT+
BB - MAXIMA
AL - CARGO

PLATE NO. 18 : CYLINDER HEAD

RE COMPACT,COMPACT+
MAXIMA,CARGO DIESEL

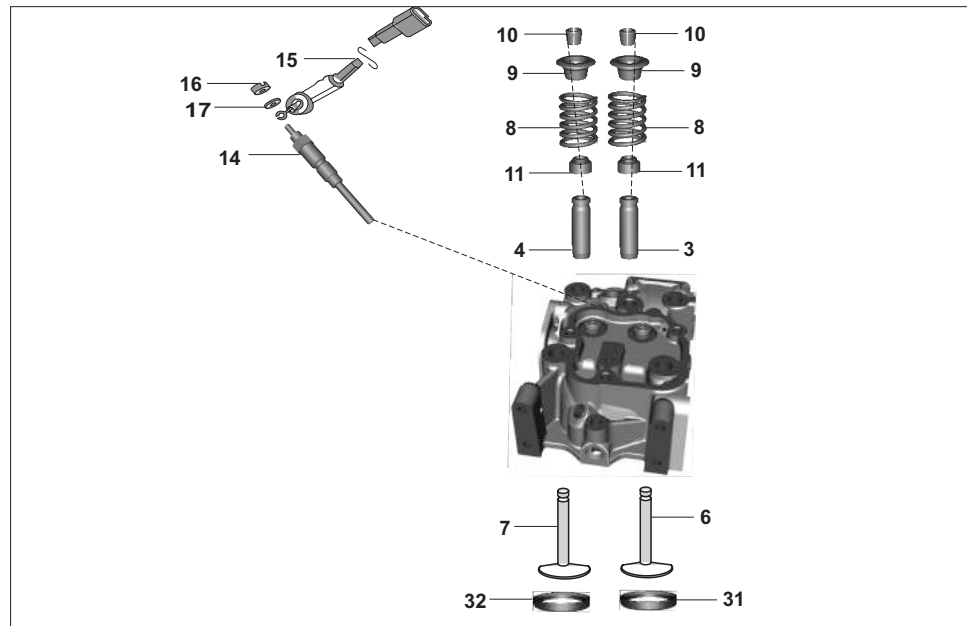


No.	Part No.	Description	BA	BH	BB	AL	Remarks
1	BB 1030 40	Cylinder head complete	1	1	1	1	
2	39 1568 06	Spring dowel sleeve	1	1	1	1	
3	BA 1020 21	Guide Inlet valve	1	1	1	1	
4	BA 1020 23	Guide exhaust valve	1	1	1	1	
5	39 2264 05	Stud (injector)	2	2	2	2	
6	BA 1020 14	Valve (Inlet)	1	1	1	1	
7	BA 1020 17	Valve (Exhaust)	1	1	1	1	
8	BA 1020 19	Valve spring	2	2	2	2	
9	BA 1020 20	Retainer valve spring	2	2	2	2	
10	BA 1020 22	Collet valve spring	4	4	4	4	
11	BB 1010 90	Seal valve stem	2	2	2	2	
12	BA 1022 70	Head bolt	4	4	4	4	
13	BB 1030 46	Gasket cylinder head	1	1	1	1	
14	BB 1110 09	Glow Plug	1	1	1	1	
15	BA 1110 06	Cord, Glow Plug	1	1	1	1	
16	39 1560 15	Flange nut	1	1	1	1	
17	39 0375 11	Plain washer	1	1	1	1	
18	BA 2010 06	Clamp	1	1	1	1	

BA - COMPACT
BH - COMPACT+
BB - MAXIMA
AL - CARGO

PLATE NO. 18 : CYLINDER HEAD

RE COMPACT,COMPACT+
MAXIMA,CARGO DIESEL

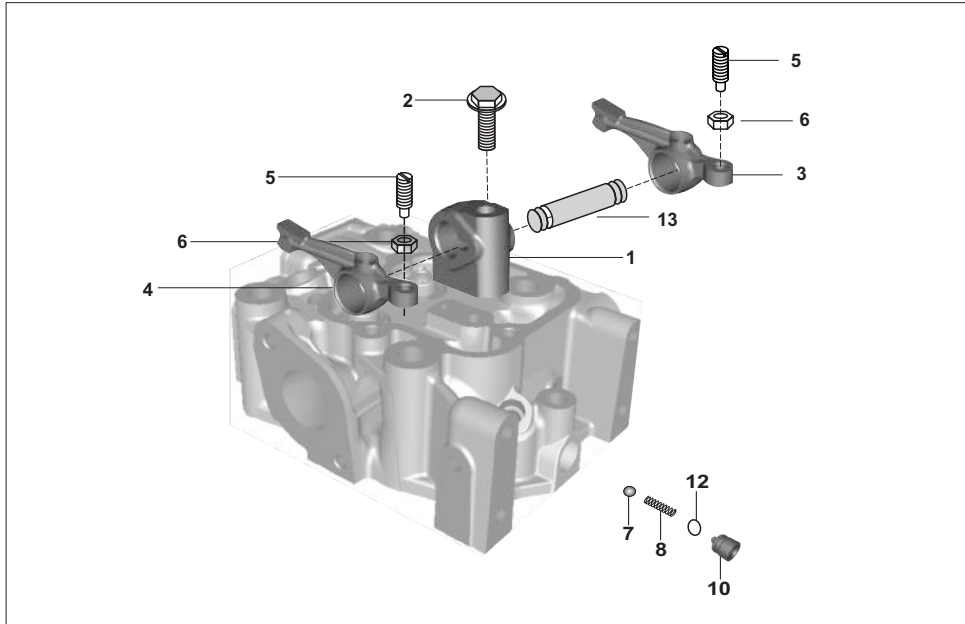


No.	Part No.	Description	BA	BH	BB	AL	Remarks
19	39 1556 04	Bolt	1	1	1	1	
20	BA 1020 27	Pipe joint	1	1	1	1	
21	BA 1023 08	Bracket decompression	1	--	--	--	
21	BA 1030 32	Bracket Decompression for cable	1	--	--	--	from- 19.10.13
21a	BB 1011 76	Bracket decompression	--	1	1	1	
22	39 1680 04	Bolt flanged small	2	2	2	2	
23	BA 1022 77	Adjuster with nut	--	1	1	1	
24	BB 1030 19	Spring stop switch	1	1	1	1	
25	30 2010 73	Switch (Decomp switch)	1	--	--	--	SHL
25	AB 2010 75	Switch - rear brake	1	1	1	1	
26	BA 1110 06	Cord, glow plug	1	1	1	1	
28	39 1549 05	Stud - m8	2	2	2	2	NI
28	39 1680 04	Flanged bolt	2	2	2	2	
29	BA 1022 44	Pipe joint -Q oil tube	1	1	1	1	
30	BA 1020 18	Cap - sealing	1	1	1	1	
31	BA 1020 25	Seat - valve inlet	1	1	1	1	
32	BA 1020 26	Seat - valve exhaust	1	1	1	1	

BA - COMPACT
BH - COMPACT+
BB - MAXIMA
AL - CARGO

PLATE NO. 19 : ROCKER ARM

RE COMPACT,COMPACT+
MAXIMA,CARGO DIESEL

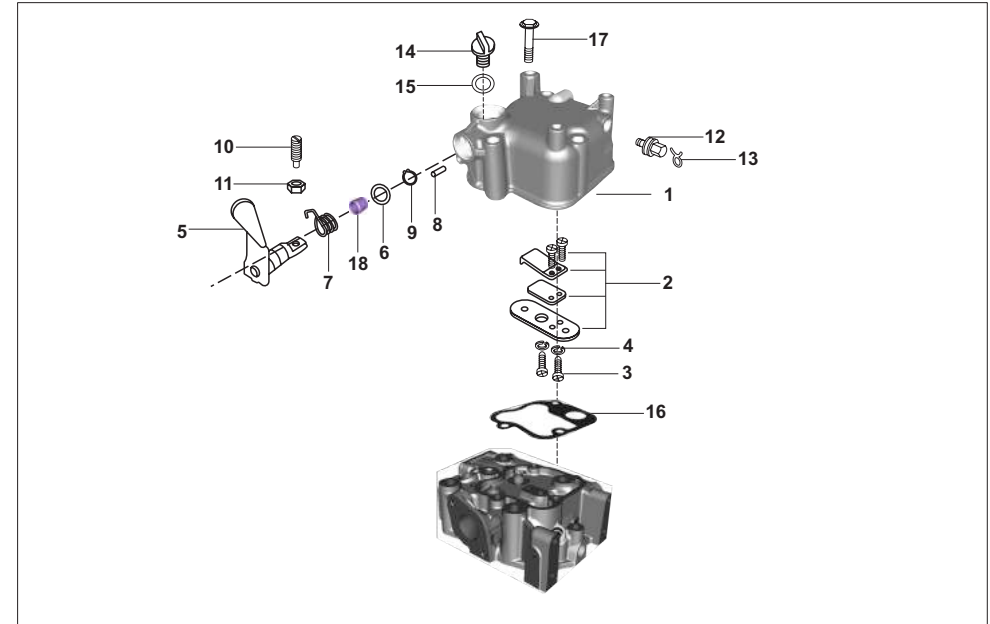


No.	Part No.	Description	BA	BH	BB	AL	Remarks
1	BA 1023 01	Bracket complete rocker	1	1	1	1	
2	LA D000 69	Flange bolt M8 X1.25	1	1	1	1	Fr-10.9.13
3	BA 1020 33	Rocker arm inlet	1	1	1	1	
4	BA 1020 34	Rocker arm exhaust	1	1	1	1	
5	BA 1022 79	Adjusting Screw	2	2	2	2	
6	BA 1020 36	Nut	2	2	2	2	
7	01 1801 23	Ball	1	1	1	1	
8	BB 1030 56	Spring	1	1	1	1	
10	BB 1030 57	Plug	1	1	1	1	
11	BB 1030 69	Wire clip	--	1	1	1	NI
12	LJ A000 02	O ring for e - 20	1	1	1	1	
13	BA 1023 03	Shaft rocker arm	1	1	1	1	
14	BB 1030 79	Assembly plug relief	1	1	1	1	NI

BA - COMPACT
BH - COMPACT+
BB - MAXIMA
AL - CARGO

PLATE NO. 20 : CYLINDER HEAD COVER

RE COMPACT,COMPACT+
MAXIMA,CARGO DIESEL

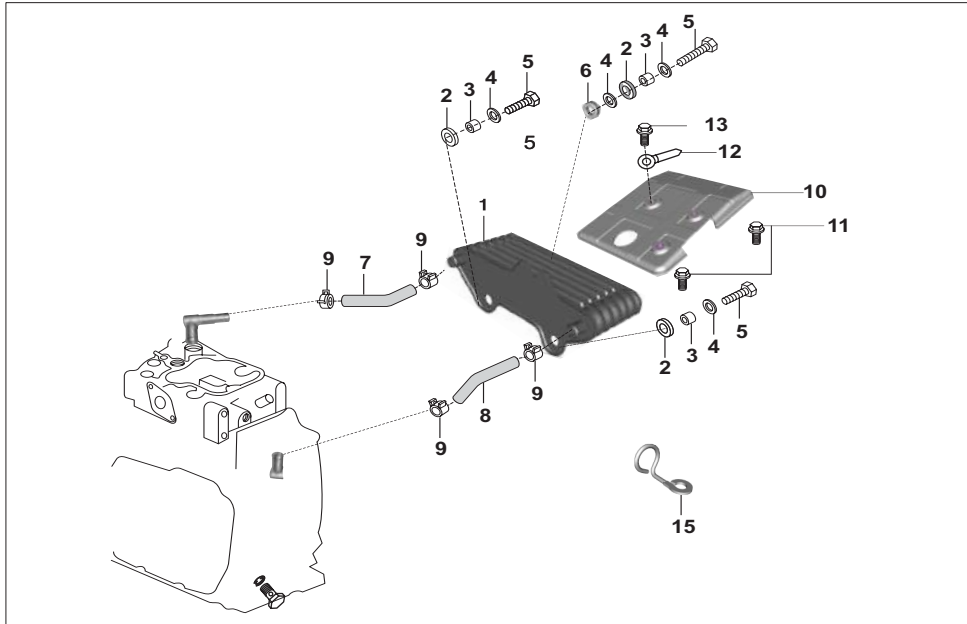


No.	Part No.	Description	BA	BH	BB	AL	Remarks
1	BA 1022 64	Assembly head cover	1	1	1	1	NI
1a	BA 1022 59	Head cover sub assly	1	1	1	1	higher assly
2	BA 1020 43	Breather assembly	1	1	1	1	
3	39 0761 01	Screw pan cross	2	2	2	2	
4	39 0790 12	Washer Spring	2	2	2	2	
5	BA 1022 67	Shaft complete (decompress)	1	1	1	1	
6	39 0703 11	Plain washer	1	1	1	1	
7	BA 1022 63	Torsion spring (decompress)	1	1	1	1	
8	39 1567 06	Spring dowel sleeve	1	1	1	1	
9	39 0645 17	Circlip (external)	1	1	1	1	
10	BA 1020 47	Decompression Bolt	1	1	1	1	
11	39 1578 15	Hexagon Nut	1	1	1	1	
12	BA 1021 46	Breather tube	1	1	1	1	
13	BA 1021 47	Pipe Clip	1	1	1	1	
14	BA 1020 38	Oil Plug	1	1	1	1	
15	39 1562 21	"O" Ring	1	1	1	1	
16	BA 1020 42	Gasket head cover	1	1	1	1	
17	39 1571 04	Flange Bolt	3	3	3	3	
18	BA 1022 54	Bush - head cover lever decomp.	1	1	1	1	
19	39 0287 15	Nut hexagon m4x0.7 br valve	1	1	1	1	NI
20	39 0900 12	Washer - spring br valve	2	2	2	2	NI
21	39 0840 01	Screw pan cross - M4 Breather assly	2	2	2	2	NI

BA - COMPACT
BH - COMPACT+
BB - MAXIMA
AL - CARGO

PLATE NO. 21 : OIL COOLER

RE COMPACT,COMPACT+
MAXIMA,CARGO DIESEL

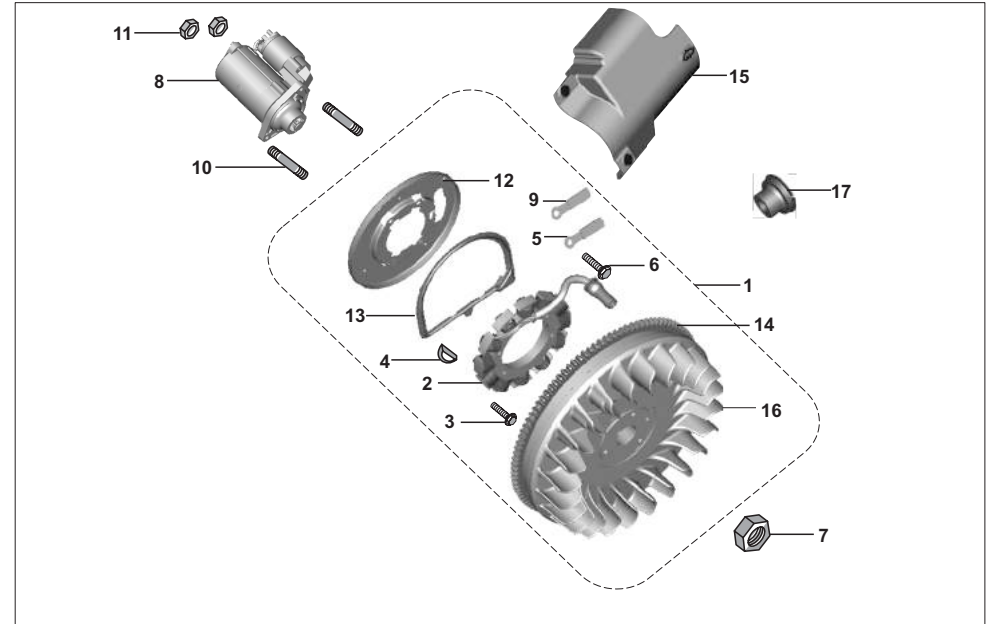


No.	Part No.	Description	BA	BH	BB	AL	Remarks
1	BA 1020 88	Oil Cooler	1	1	1	1	
2	BA 1022 22	Vibro - Isolating Rubber	4	4	4	4	
3	BA 1020 90	Collar - Vibro- Isolating Rubber	2	2	2	2	
4	BA 1030 12	Special washer	2	2	2	2	
5	KA DA06 20	Screw - hexagon head :- M6	3	3	3	3	
6	BA 1023 05	Spacer	1	1	1	1	
7	BA 1022 35	Tube assembly -1 (Oil)	1	1	1	1	
8	BB 1030 58	Tube oil-cooler to head	1	1	1	1	
9	BA 1021 56	Hose clip	4	4	4	4	
10	BA 1020 96	Cover (oil cooler)	1	1	1	1	
11	59 0400 14	Flanged bolt -cover	2	2	2	2	
12	BA 2010 06	Clamp	1	1	1	1	
13	39 1556 04	Bolt - flange	1	1	1	1	
14	BA 1220 02	Clamp	1	1	1	1	NI
15	BA 1022 92	Clip guide	2	2	2	2	
16	24 1214 76	Spring clamp Dia	4	4	4	4	NI

BA - COMPACT
BH - COMPACT+
BB - MAXIMA
AL - CARGO

PLATE NO. 22: ALTERNATOR & STARTER MOTOR

RE COMPACT,COMPACT+
MAXIMA,CARGO DIESEL

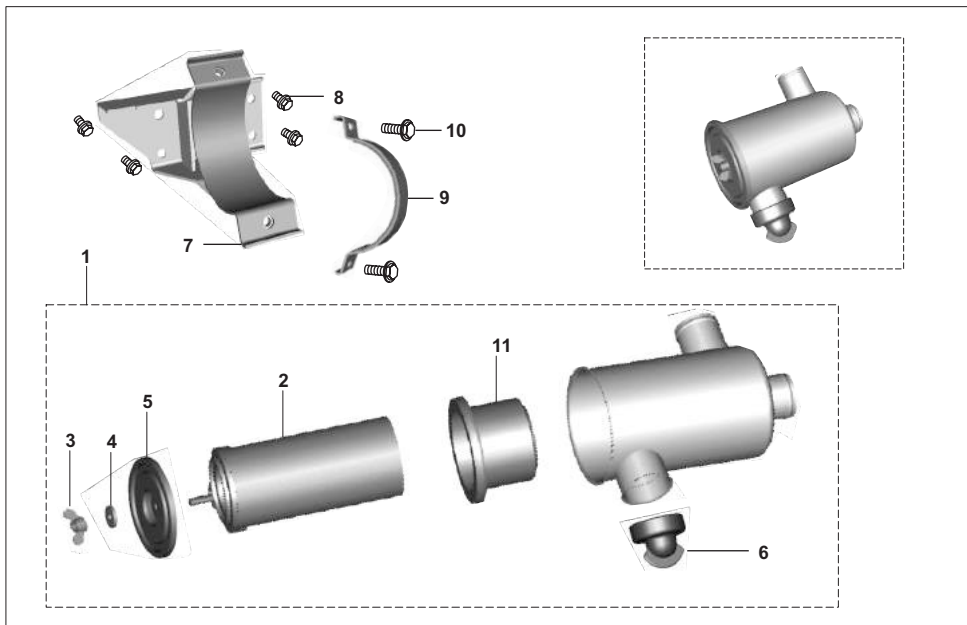


No.	Part No.	Description	BA	BH	BB	AL	Remarks
1	BB 1110 10	Alternator (1-phase)	1	1	1	1	
2	BA 1110 23	Assembly stator (1 phase)	1	1	1	1	
3	39 1552 04	Flange bolt	4	4	4	4	
4	BA 1020 99	Key woodruff	1	1	1	1	
5	BA 2010 06	Clamp	1	1	1	1	
6	39 1556 04	Flange bolt	1	1	1	1	
7	BA 1021 00	Nut (Flywheel)	1	1	1	1	
8	BG 3516 02	Starter Motor	1	1	1	1	
8	BG 3516 03	Starter Motor-TVS	1	1	1	1	
9	BA 2010 06	Clamp	4	4	4	4	
10	39 1635 05	Stud	2	2	2	2	
11	39 1970 15	Nut - Hexagon with flange-M8	2	2	2	2	
12	BA 1022 16	Cover - dust (alternator)	1	1	1	1	
13	BA 1022 15	Seal	1	1	1	1	
14	BA 1110 16	Ring gear	1	1	1	1	
15	BG 3516 01	Cover Starter motor	--	1	1	1	
16	BB 1110 11	Flywheel assy ring gear & mag	1	1	1	1	
17	AL 1010 29	Pulley	--	--	1	1	
18	AL 1010 30	Pulley rope	--	--	1	1	NI
19	AL 1010 38	Bolt pre-coating	--	--	1	1	NI
20	39 0239 11	Plain washer	--	--	1	1	NI
21	39 1826 12	Washer spring	--	--	1	1	NI
22	39 1551 04	Bolt flanged m6x10	--	--	1	1	NI

BA - COMPACT
BH - COMPACT+
BB - MAXIMA
AL - CARGO

PLATE NO. 23: AIR FILTER

RE COMPACT,COMPACT+
MAXIMA,CARGO DIESEL

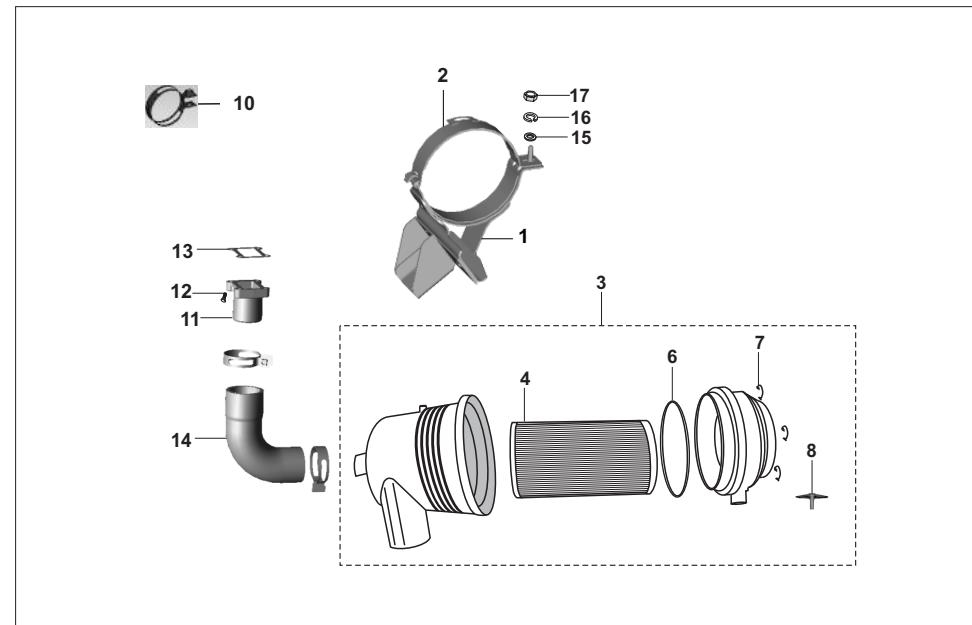


No.	Part No.	Description	BA	BH	BB	AL	Remarks
1	BA 1222 20	Air cleaner assembly	1	--	--	--	
2	BA 1221 92	Element assembly	1	--	--	--	
3	YB A070 01	Wing nut	1	--	--	--	
4	BA 1220 70	Rubber washer	1	--	--	--	
5	YB A070 03	Top cover	1	--	--	--	
6	BA 1220 71	Valve (unloader)	1	--	--	--	
7	BA 1030 09	Bracket air cleaner	1	--	--	--	
8	39 1556 04	Flange bolt	4	--	--	--	
9	BA 1220 75	Air cleaner band assembly	1	--	--	--	
10	39 0390 04	Flange bolt	2	--	--	--	
11	YB A070 02	Cyclopack (Pre cleaner)	1	--	--	--	
12	YB A070 04	Gasket cover	1	--	--	--	NI

BA - COMPACT
BH - COMPACT+
BB - MAXIMA
AL - CARGO

PLATE NO. 23a : AIR FILTER

RE COMPACT,COMPACT+
MAXIMA,CARGO DIESEL

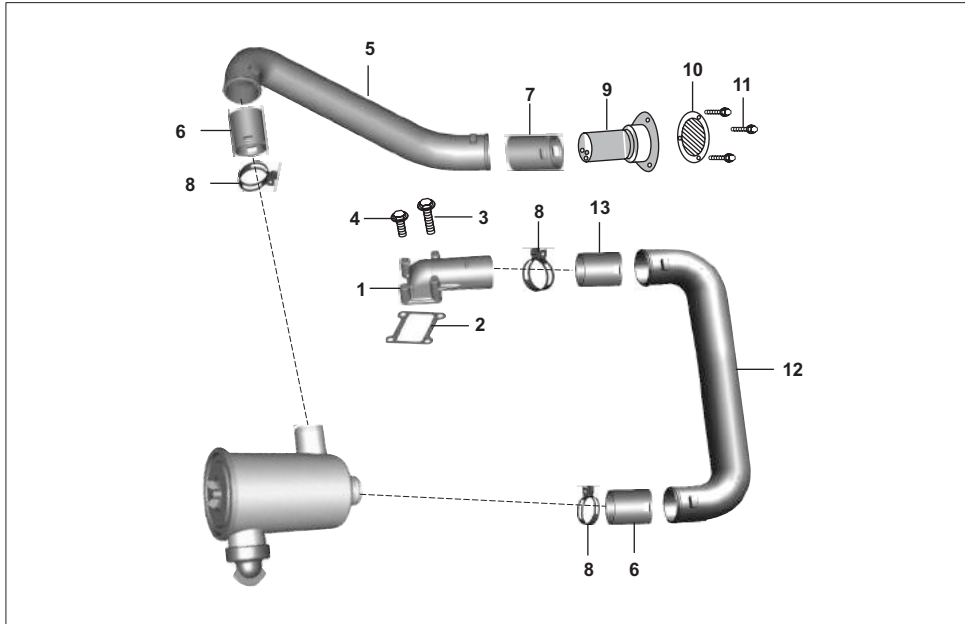


No.	Part No.	Description	BA	BH	BB	AL	Remarks
1	BG 5810 00	Bracket isolator Air Filter	--	1	1	1	
2	BG 5810 06	Clamp air cleaner	--	1	1	1	
3	AL 1210 60	Air filter assly.	--	1	1	1	
4	AL 1210 62	Element Air Filter	--	1	1	1	
5	AL 1210 70	Cover a/f	--	1	1	1	NS
6	AL 1210 68	Seal ring flat	--	1	1	1	
7	AL 1210 69	Clamp flat	--	3	3	3	
8	BB 1210 29	Flap air intake	--	1	1	1	
9	39 1912 04	Bolt flange	--	8	8	--	
10	AP 1210 64	Clip	--	1	1	1	
11	BB 1222 24	Manifold air intake	--	1	1	1	
12	KA DD06 20	Bolt flanged	--	4	4	4	
13	BB 1030 55	Gasket manifold	--	1	1	1	
14	BB 1030 54	Tube intake manifold	--	1	1	1	
15	39 0714 11	Washer Plain Af Clamp	--	1	1	1	
16	39 1827 12	Washer - Spring Af Clamp	--	1	1	1	
17	39 0467 15	Nut Hexagon -m12 X 1.5	--	1	1	1	

BA - COMPACT
BH - COMPACT+
BB - MAXIMA
AL - CARGO

PLATE NO. 24 : AIR INTAKE ASSLY.

RE COMPACT,COMPACT+
MAXIMA,CARGO DIESEL

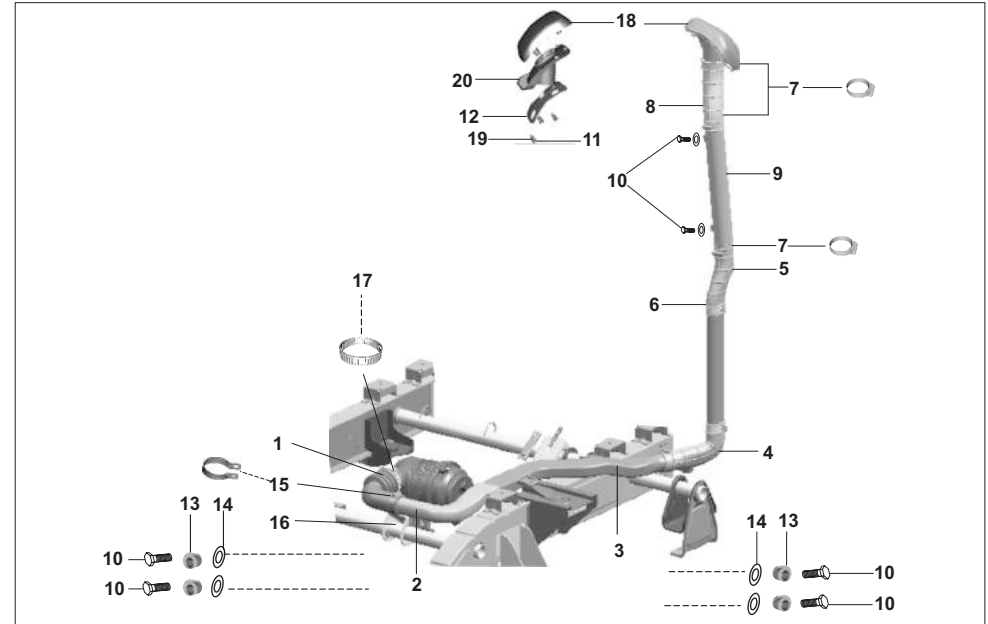


No.	Part No.	Description	BA	BH	BB	AL	Remarks
1	BA 1222 29	Manifold air intake	1	-	-	--	
2	BB 1030 55	Gasket (Flange)	1	-	-	--	
3	KA DD06 20	Bolt flanged small	2	-	-	--	
4	KA DD06 60	Flange bolt	2	-	-	--	
5	BA 1221 80	Hose air-1 ch. to air filter	1	-	-	--	
6	BA 1221 81	Sleeve - rubber hose 1 & 2	2	-	-	--	
7	BA 1030 37	Sleeve - chassis end	1	-	-	--	FR.21.6.2014
8	BA 1220 62	Pipe band-clips	3	-	-	--	
9	BA 2310 10	Cup -Assly air suction	1	-	-	--	
9	BA 1030 35	Cup -Assly air suction	1	-	-	--	FR.21.6.2014
10	BA 2310 13	Grill - air suction hole	1	-	-	--	
11	39 1773 04	Bolt	3	-	-	--	
12	BA 1221 82	Hose - air 2 manifold to filter	1	-	-	--	
13	BA 1030 27	Hose air filter to manifold	1	-	-	--	
14	BA 1221 84	Assly hose air filter to chassis comp.	1	-	-	--	

BA - COMPACT
BH - COMPACT+
BB - MAXIMA
AL - CARGO

PLATE NO. 24a : AIR INTAKE ASSLY.

RE COMPACT,COMPACT+
MAXIMA,CARGO DIESEL

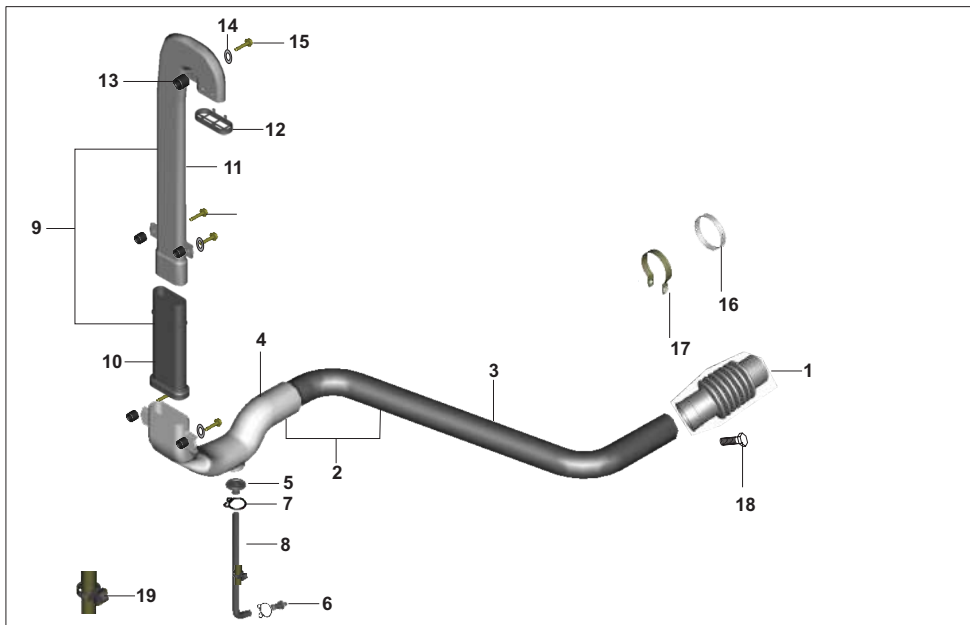


No.	Part No.	Description	BA	BH	BB	AL	Remarks
1	BH 5810 21	Tube air intake	--	1	-	--	
1	BB 1211 13	Tube air intake	--	-	1	--	
2	BH 5810 16	Pipe air intake-i	--	1	-	--	BH581014
3	BB 1211 12	Pipe air intake-i	--	--	1	--	BB121104
4	BH 5810 15	Rubber elbow chassis end	--	1	-	--	
4	BB 1211 11	Assembly water drain sleeve	--	-	1	--	
5	BH 5810 05	Elbow rubber lower end	--	1	-	--	
5	BB 1211 07	Elbow rubber lower end	--	-	1	--	
6	BH 5810 10	Clip elbow lower end	--	1	1	--	
7	24 1704 31	Clip - hose	--	3	3	--	
8	AZ 5810 21	Elbow top end	--	1	-	--	
8	BB 1211 08	Elbow top end	--	-	1	--	
9	AZ 5810 18	Pipe air intake upper	--	1	1	--	
10	39 1912 04	Bolt - flanged	--	8	8	--	
11	39 1913 04	Bolt - flanged	--	3	3	--	
12	BH 1850 03	Packing snorkel	--	1	1	--	
13	BG 5814 04	Damper rubber	--	4	4	--	
14	39 0814 11	Washer - plain	--	4	4	--	
15	AL 1210 19	Clip - air pipe	--	1	1	--	
16	39 0756 01	Screw pan cross - m6	--	1	1	--	
17	BB 1310 40	Hose clamp - dia.60	--	1	1	--	
18	BH 1850 01	Grill air intake snorkel top	-	1	1	--	
19	JG 5810 15	Insert (M6*1)	--	3	3	--	
20	BH 1850 02	Grill air intake snorkel bottom	-	1	1	--	

BA - COMPACT
BH - COMPACT+
BB - MAXIMA
AL - CARGO

PLATE NO. 24b : AIR INTAKE ASSLY.

RE COMPACT,COMPACT+
MAXIMA,CARGO DIESEL

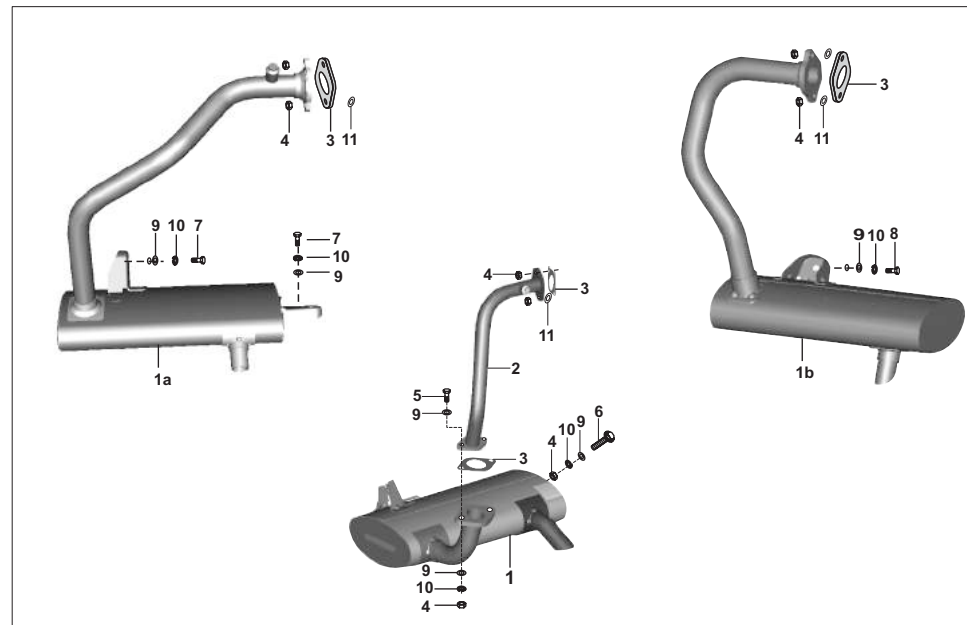


No.	Part No.	Description	BA	BH	BB	AL	Remarks
1	AL 1210 75	Tube air intake (H TO F)	-	-	-	1	
2	AL 1030 00	Assembly air intake z pipe	-	-	-	1	
3	AL 1030 01	Pipe air intake	-	-	-	1	
4	AL 1030 02	Pipe air intake elbow1	-	-	-	1	
5	AL 1030 03	Plug drain	-	-	-	1	
6	DS 1211 26	Plug	-	-	-	1	
7	DP 1210 25	Clamp	-	-	-	2	
8	JA 5810 12	Tube drain	-	-	-	1	
9	BG 5814 00	Assy air intake-top	-	-	-	1	
10	BG 5814 02	Hose air intake-bottom	-	-	-	1	
11	BG 5814 01	Hose air intake-top	-	-	-	1	
12	BG 5814 05	Mesh air intake	-	-	-	1	
13	BG 5814 04	Damper rubber	-	-	-	5	
14	39 0814 11	Plain washer id6.2 od11 t1.2	-	-	-	5	
15	39 2707 04	Hex bolt m6 x 1p x l 25	-	-	-	5	
16	BB 1310 40	Hose clamp - dia.60	-	-	-	1	
17	AL 1210 19	Clip - air pipe	-	-	-	1	
18	39 0756 01	Screw pan cross - m6	-	-	-	1	
19	60 1114 20	Cable tie lock 4.8 1.2 160 pa66 b	-	-	-	1	

BA - COMPACT
BH - COMPACT+
BB - MAXIMA
AL - CARGO

PLATE NO. 25 : SILENCER

RE COMPACT,COMPACT+
MAXIMA,CARGO DIESEL

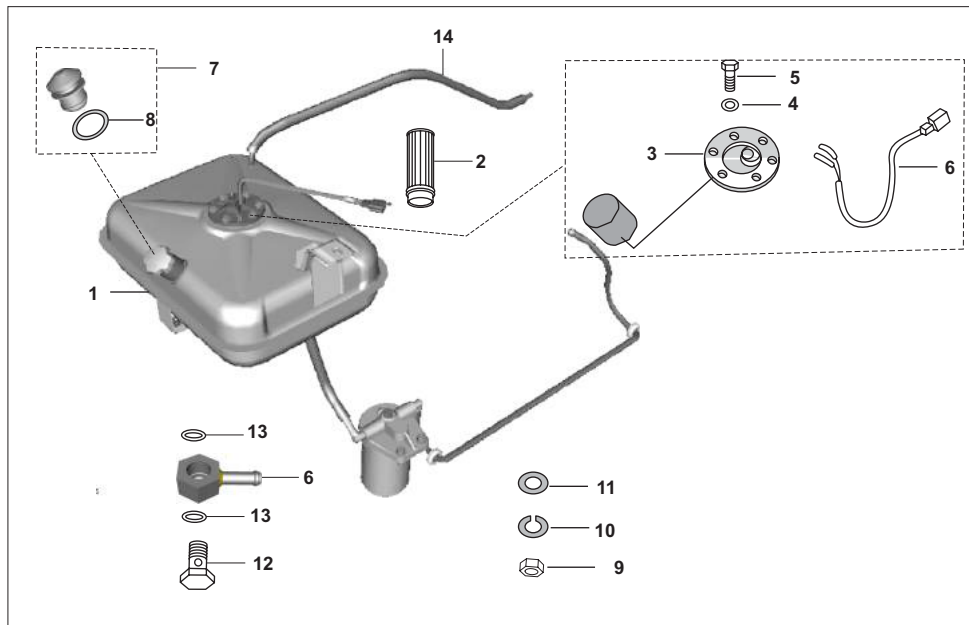


No.	Part No.	Description	BA	BH	BB	AL	Remarks
1	BA 1030 04	Silencer	1	-	-	-	
1a	BH 5910 01	Silencer	-	1	-	-	
1b	BB 1030 03	Silencer	-	-	1	1	
2	BA 1030 03	Exhaust tube complete	2	-	-	-	
3	BA 1020 29	Gasket (Muffler NA)	2	1	1	1	
4	39 0694 15	Nut	6	2	2	2	
5	39 1389 04	Hex bolt	2	-	-	-	
6	39 1714 04	Flanged bolt	1	-	-	-	
7	39 0390 04	Screw - hexagon	2	2	-	-	
8	39 0435 01	Screw - hexagon	1	1	1	1	
9	39 1180 11	Plain washer	2	2	2	2	
10	39 1828 12	Spring washer	4	2	2	2	
11	39 0200 11	Plain washer	2	2	2	2	
12	BA 1030 11	Silencer assembly complete	1	-	-	-	with hardware

BA - COMPACT
BH - COMPACT+
BB - MAXIMA
AL - CARGO

PLATE NO. 26 : FUEL TANK ASSEMBLY COMPACT

RE COMPACT,COMPACT+
MAXIMA,CARGO DIESEL

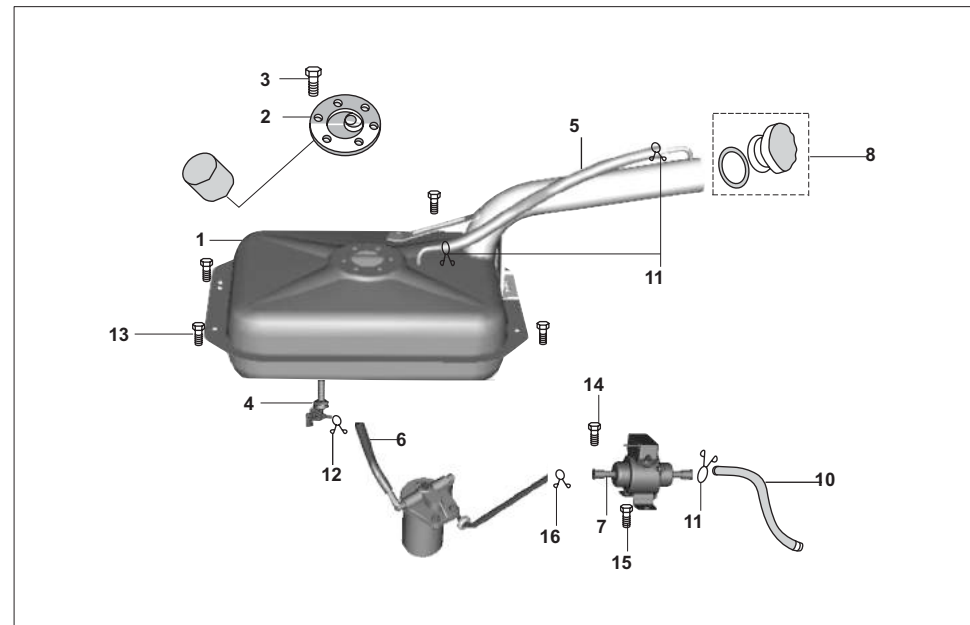


No.	Part No.	Description	BA	BH	BB	AL	Remarks
1	BA 1410 41	Fuel tank metal only	1	-	-	--	
2	BA 1410 13	Fuel stainer	1	-	-	--	
3	BA 2011 07	Tank unit (Fuel)	-	-	-	--	
3	BH 4026 00	Tank unit (Fuel)	1	-	-	--	
4	03 1902 04	Spacer washer	6	-	-	--	
5	01 1605 09	Hex bolt	6	-	-	--	
5	LA D000 67	Bolt flanged-m5x0.8xl 15xstepped	6	-	-	--	SHL
6	AL 1210 20	Joint for fuel line	1	-	-	--	
7	BA 1410 19	Cap assly	1	-	-	--	
8	BF 1716 04	'O' ring	1	-	-	--	
9	39 0294 15	Hexagon nut-mtg. tank	3	-	-	--	
10	39 1828 12	Spring washer-mtg. tank	3	-	-	--	
11	39 1180 11	Plain washer-mtg. tank	3	-	-	--	
12	BA 1410 17	Bolt - banjo	1	-	-	--	
13	BA 1221 43	Washer - copper- spare part	2	-	-	--	
14	BA 1410 53	Assembly pipe fuel overflow	1	-	-	--	

BA - COMPACT
BH - COMPACT+
BB - MAXIMA
AL - CARGO

PLATE NO. 26a : FUEL TANK ASSEMBLY OPTIMA

RE COMPACT,COMPACT+
MAXIMA,CARGO DIESEL

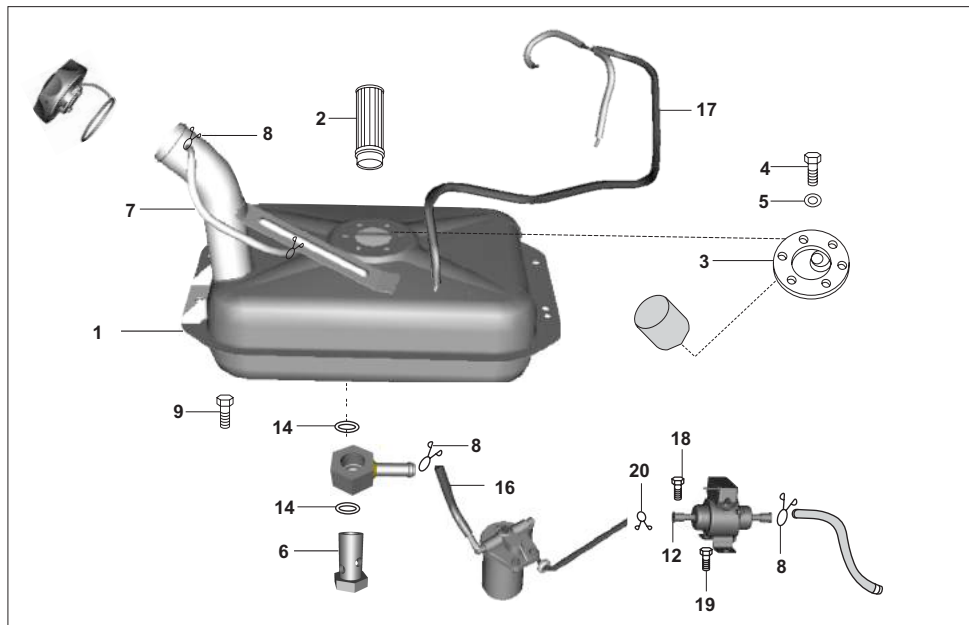


No.	Part No.	Description	BA	BH	BB	AL	Remarks
1	BG 1710 06	Fuel tank complete	--	1	-	--	with tank unit & pipe
2	BH 4026 00	Switch float-tank unit	--	1	-	--	
3	01 1605 09	Hex bolt (tank unit)	--	6	-	--	
4	BG 1718 05	Tap fuel for fuel tank	--	1	-	--	
5	BG 1718 00	Pipe fuel breather	--	1	-	--	
6	BB 1410 24	Pipe assly fuel tank to filter	--	1	--	--	with sleeve
7	AL 2010 34	Fuel pump	--	1	-	--	
8	BH 1716 00	Cap assly	--	1	-	--	
9	BG 1718 04	Fuel overflow pipe (tank)	--	1	-	--	
10	BG 1718 03	Pipe assy fuel-pump to engine	--	1	-	--	
11	33 1410 08	Clamp breather pipe	--	2	-	--	
12	33 1410 07	Clamp pipe to filter,	--	1	-	--	
13	KA DD08 16	Bolt-flange-tank	--	4	-	--	
14	KA DD06 16	Bolt-flange M8-Pump	--	1	-	--	
15	KA ED08 16	Bolt-flanged-small	-	1	-	--	
16	BA 1410 34	Clamp	-	1	-	--	

BA - COMPACT
BH - COMPACT+
BB - MAXIMA
AL - CARGO

PLATE NO. 26b : FUEL TANK ASSEMBLY MAXIMA

RE COMPACT,COMPACT+
MAXIMA,CARGO DIESEL

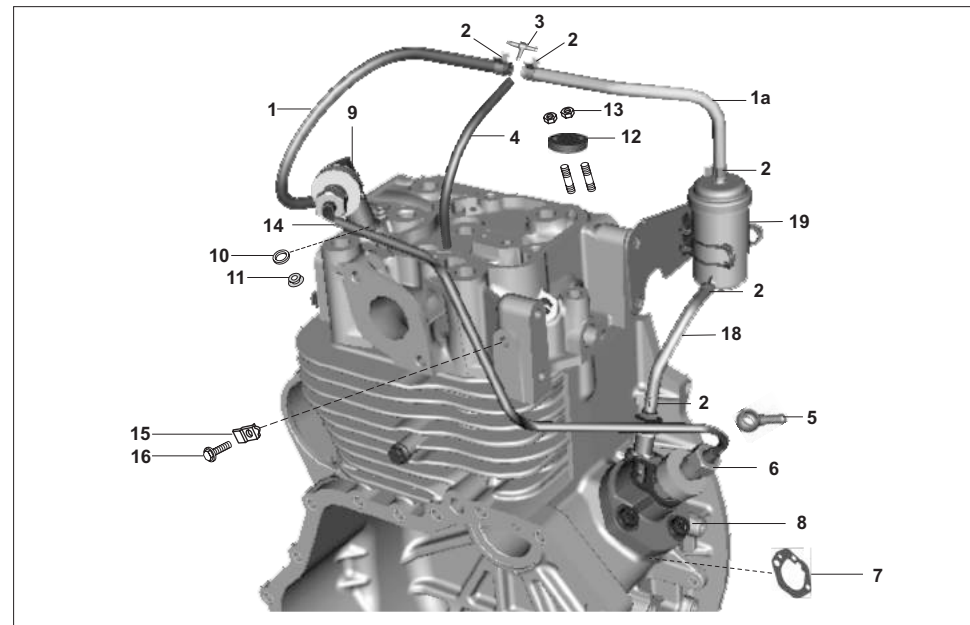


No.	Part No.	Description	BA	BH	BB	AL	Remarks
1	AL 1410 48	Fuel tank complete	-	--	1	1	with tank unit & pipe
2	BA 1410 13	Strainer fuel	-	-	1	1	
3	BH 4026 00	Switch float-tank unit	-	-	1	1	
4	01 1605 09	Hex bolt (tank unit)	-	-	6	6	
5	03 1902 04	Plain Washer	-	-	6	6	
6	BA 1410 17	Bolt - banjo	-	-	1	1	
7	AL 1410 58	Pipe air vent	-	-	1	1	
8	33 1410 08	Pipe clip	-	-	2	2	
9	KA DD08 20	Bolt-flanged-small	-	-	4	4	
10	KC GD08 08	Nut	-	-	4	4	
11	AL 1410 54	Pipe fuel tank to filter	-	-	1	1	
12	AL 2010 34	Fuel pump	-	-	1	1	
13	36 AI00 14	Lock fuel tank cap w/o key	-	--	1	1	
14	BA 1221 43	copper washer	-	-	2	2	
16	BB 1410 35	sleeve fuel filter feed pump	-	-	1	1	
17	BB 1410 39	Pipe assembly fuel overflow	-	-	1	1	
18	KA DD06 16	Bolt-flange M8-Pump	-	-	1	1	
19	KA ED08 16	Bolt-flanged-small	-	-	1	1	
20	BA 1410 34	Clamp	-	-	1	1	
21	AI 1410 47	Tank Assly Comp with unit & cap	-	-	1	1	

BA - COMPACT
BH - COMPACT+
BB - MAXIMA
AL - CARGO

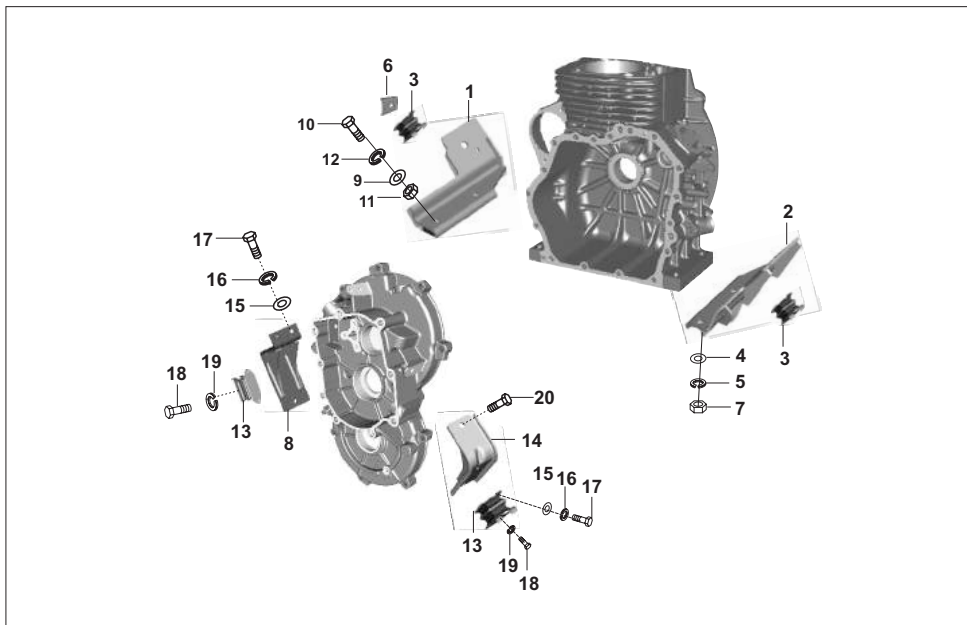
PLATE NO. 27 : INJECTION PUMP & NOZZLE HOLDER

RE COMPACT,COMPACT+
MAXIMA,CARGO DIESEL



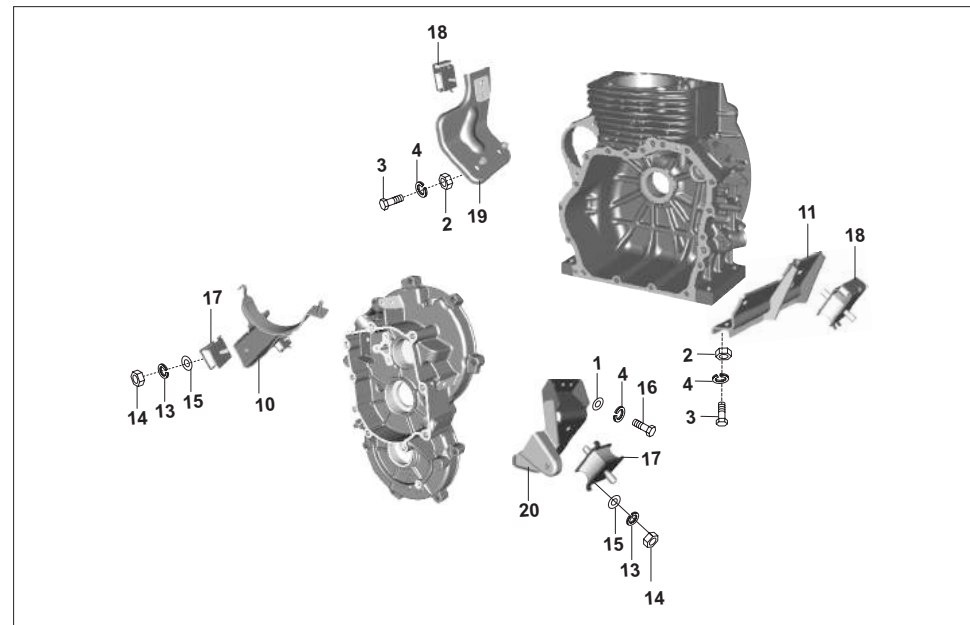
No.	Part No.	Description	BA	BH	BB	AL	Remarks
0	BB 1222 28	Assembly pipe overflow complete	-	1	1	1	
1	BB 1222 26	Fuel overflow pipe	1	1	1	1	
1a	BA 1030 24	Pipe reservoirs to T joint	1	-	-	--	
2	AA 1410 46	Clip - pipe	6	6	6	6	
3	BA 1410 33	T joint	1	1	1	1	
4	BG 1718 04	Pipe assy fuel-overflow-injector	--	1	-	--	
4a	BB 1410 38	Pipe assy fuel-overflow-injector	-	-	1	1	
5	BB 1210 99	Joint FIP	1	1	1	1	
6	BB 1030 43	Pump assy Injection	1	1	1	1	
7	BB 1030 44	Pump adjust shim	1	1	1	1	
7a	BB 1030 45	Shim	1	1	1	1	
8	39 0817 15	Flange nut M6	2	2	2	2	
9	BB 1210 94	Nozzle holder assly (Bosch)	1	1	1	1	
10	BA 1220 11	Packing	1	1	1	1	
11	BA 1220 12	Seal heat	1	1	1	1	
12	BA 1220 13	Clamp (Nozzle)	1	1	1	1	
13	39 1579 15	Hexagon nut	2	2	2	2	
14	BB 1210 93	Pipe -inject. Mico -fu. Inj. Pump	1	1	1	1	
15	BA 1220 14	Clamp assly	1	1	1	1	
16	39 1556 04	Flange bolt	1	1	1	1	
18	BA 1030 17	Pipe res. To fip banjo	1	-	-	--	
19	BA 1030 22	Reservoir fuel	1	-	-	--	
20	BA 1030 31	Assembly bracket reservoir	1	-	-	--	

BA - COMPACT
BH - COMPACT+
BB - MAXIMA
AL - CARGO



No.	Part No.	Description	BA	BH	BB	AL	Remarks
1	BA 1021 58	Engine bracket FR	1	--	--	--	
2	BA 1021 59	Engine bracket RR	1	--	--	--	
3	BH 1134 11	Isolator rubber	1	--	--	--	
3a	BA 1611 95	Isolator rubber	1	--	--	--	
4	39 0526 11	Washer plain	3	--	--	--	
5	39 1827 12	Washer - spring	4	--	--	--	
6	BA 1610 31	Channel fix g.b mt RR	4	--	--	--	
7	39 0467 15	Nut hexagon -m12 x 1.5	4	--	--	--	
8	BA 1021 64	Bracket	1	--	--	--	
9	39 0248 11	Washer - plain	8	--	--	--	
10	39 1707 04	Bolt hexagon -m10x1.5	4	--	--	--	
11	39 0296 15	Hexagon nut-m10	4	--	--	--	
12	39 1829 12	Spring washer	4	--	--	--	
13	BA 1021 60	Rubber isolator-gb	2	--	--	--	
14	BA 1611 67	Bracket engine mtg rear LH	1	--	--	--	
15	39 0198 11	Washer plain	6	--	--	--	
16	39 1826 12	Washer spring	6	--	--	--	
17	39 1577 04	Bolt flange m6x20	6	--	--	--	
18	BA 1022 33	Bolt long head m8	2	--	--	--	
19	39 0265 12	Spring washer	2	--	--	--	
20	59 0400 26	Bolt flange hexagonal	1	--	--	--	

BA - COMPACT
BH - COMPACT+
BB - MAXIMA
AL - CARGO

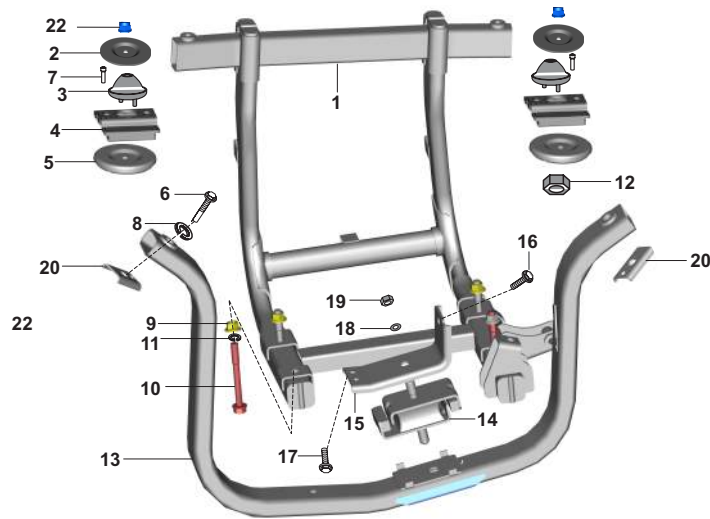


No.	Part No.	Description	BA	BH	BB	AL	Remarks
1	39 1224 11	Plain washer	--	3	--	--	
2	39 0296 15	Hexagon nut-m10	--	4	--	--	
3	39 1396 04	Bolt hexagon-m10x1.5	--	4	--	--	
4	39 1829 12	Spring washer	--	4	--	--	
5	39 0248 11	Washer - plain	--	8	--	--	
6	39 0874 04	Screw m8 hex head	--	3	--	--	
7	39 0265 12	Spring washer	--	3	--	--	
8	39 1828 12	Spring washer	--	3	--	--	
9	39 1180 11	Washer	--	3	--	--	
10	BG 5810 00	Racket air filter	--	1	--	--	
11	BH 1134 07	Bracket engine mtg RR RH	--	1	--	--	
11	BH 1134 08	Bracket engine mtg rear rh fl	--	1	--	--	
12	BH 1134 09	Assembly eng mtg bkt FR RH	--	1	--	--	
12	Bh 1134 10	Bracket engine mtg front rh fl	--	1	--	--	
13	39 1827 12	Washer - spring	--	1	--	--	
14	39 0467 15	Nut hexagon -m12 x 1.5	--	1	--	--	
15	39 0714 11	Washer plain	--	1	--	--	
16	39 2517 04	Bolt - hexagon head - m8	--	3	--	--	
17	AL 1010 20	Isolator rubber	--	2	--	--	
18	BH 1134 11	Isolator rubber	--	2	--	--	
19	BH 1134 09	Bracket engine mtg frontRH	--	1	--	--	
20	BG 1134 03	Assy bracket trans. Mounting	--	1	--	--	

BA - COMPACT
BH - COMPACT+
BB - MAXIMA
AL - CARGO

PLATE NO. 29b : ENGINE MOUNTING

RE COMPACT,COMPACT+
MAXIMA,CARGO DIESEL

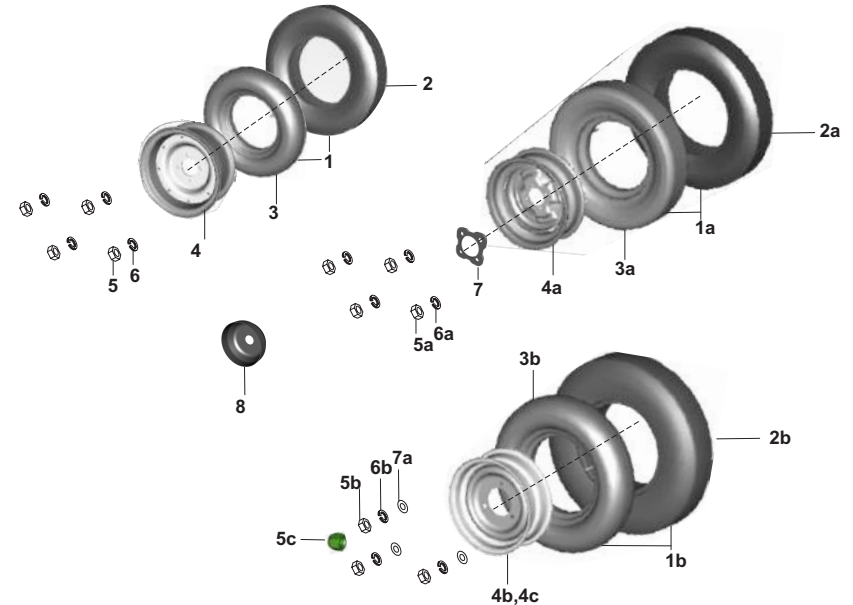


No.	Part No.	Description	BA	BH	BB	AL	Remarks
1	AL 1616 26	Cradle hydroformed	--	--	1	1	
2	AL 1612 52	Plate upper isolator	--	--	2	2	
3	AL 1612 49	Rubber isolator engine	--	--	2	2	
4	AL 1612 50	Plate stopper	--	--	2	2	
5	AL 1615 05	Plate lower isolator	--	--	2	2	
6	39 2237 04	Bolt - hexagon head- m12	--	--	2	2	
7	AL 1612 51	Spacer rubber isolator	--	--	2	2	
8	39 1180 11	Washer - Plain	--	--	2	2	
9	39 2295 15	Nut flanged- ex.tube-cyl head	--	--	6	6	
10	KA DG10 85	Bolt flanged	--	--	4	4	
11	39 1827 12	Washer - Spring	--	--	8	8	
12	39 1225 15	Hex nut flange-m10	--	--	4	4	
13	AL 1613 02	Support engine-middle	--	--	1	1	
14	AL 1612 47	Rubber isolator	--	--	1	1	
15	AL 1612 53	Bracket isolator	--	--	1	1	
16	59 0400 26	Bolt flange hexagonal	--	--	1	1	
17	59 0400 14	Bolt flanged m6x1	--	--	2	2	
18	39 0714 11	Washer plain	--	--	2	2	
19	39 0467 15	Nut hexagon -m12 x 1.5	--	--	4	4	
20	BA 1610 30	Channel fixing - eng mount - RR	--	--	2	2	
21	LA D000 10	Bolt - isolator low plate	--	--	2	2	NI
22	KC KC08 11	Nut nyloc flange	--	--	2	2	
23	AL 1010 19	Washer	--	--	1	1	Ni

BA - COMPACT
BH - COMPACT+
BB - MAXIMA
AL - CARGO

PLATE NO. 30 : REAR WHEEL

RE COMPACT,COMPACT+
MAXIMA,CARGO DIESEL

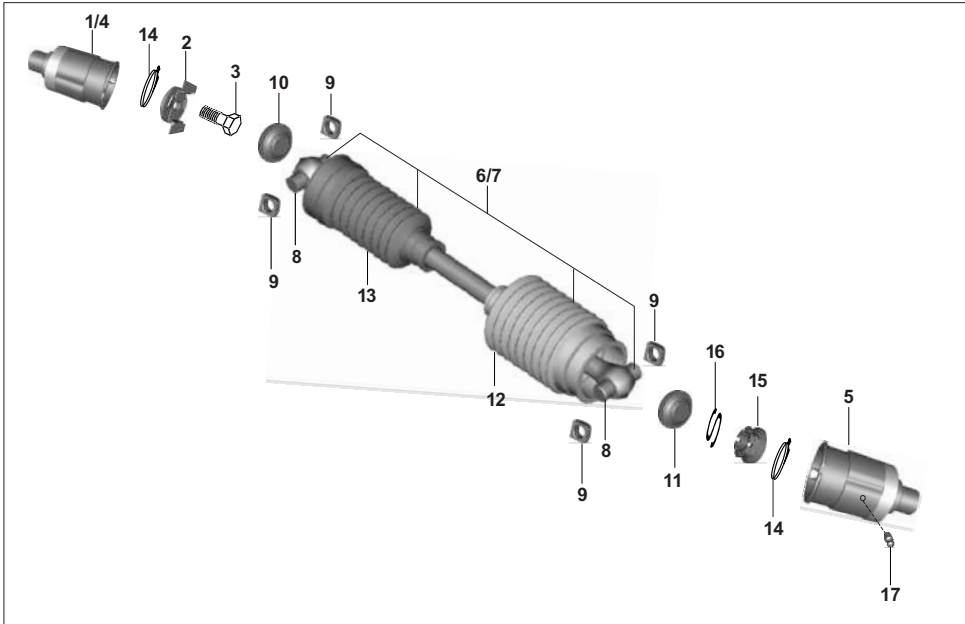


No.	Part No.	Description	BA	BH	BB	AL	Remarks
1	22 1510 68	Tyre with tube	4	--	--	--	NS
1a	BH 1310 10	Tyre with tube 6-pr	--	4	--	--	
1b	AL 1510 17	Tyre with tube 4.5 x 10	--	--	4	4	NS
2	21 1503 07	Tyre compact	4	--	--	--	NS
2a	BH 1310 09	Tyre compact+	--	4	--	--	NS
2b	Al 1510 18	Tyre Maxima/cargo	--	--	4	4	NS
3	21 1503 06	Tube	4	--	--	--	NS
3a	BF 1214 28	Tube	--	4	--	--	NS
3b	AL 1510 19	Tube	--	--	4	4	NS
4	52 2407 64	Assly wheel rim -24151110	4	--	--	--	
4a	52 2407 65	Assly wheel rim -24151090	4	--	--	--	
4b	BH 1310 02	Assembly wheel rim 3.0b x 10	--	4	--	--	
4c	AL 1510 14	Rim assy-wheel with central part	--	--	4	--	
4d	AL 1512 46	Assly rim	--	--	--	4	
5	LC A000 10	Wheel nut	12	--	--	--	
5a	39 0312 15	Wheel nut	--	12	--	--	
5b	39 2538 15	Wheel nut	--	--	9	--	
5c	AL 1512 52	Nut conical m12 wheel nut	--	--	--	9	
6	KD DB10 18	Washer spring- wheel	12	--	--	--	
6a	39 1829 12	Washer spring- wheel	--	12	--	--	
6b	39 0737 12	Washer - spring	--	--	9	--	
7	BH 1312 11	Washer plain special	--	3	--	--	
7a	39 0714 11	Washer - Plain	--	--	3	3	
8	BH 1312 06	Cap hub rear (BH131405-1)	--	2	2	2	NI
9	Bh 1314 07	Assembly cap spare wheel	--	1	--	--	
10	BH 1314 04	Knob spare wheel	--	2	--	--	

BA - COMPACT
BH - COMPACT+
BB - MAXIMA
AL - CARGO

PLATE NO. 31 : PROPELLER SHAFT / FLANGES

RE COMPACT,COMPACT+
MAXIMA,CARGO DIESEL

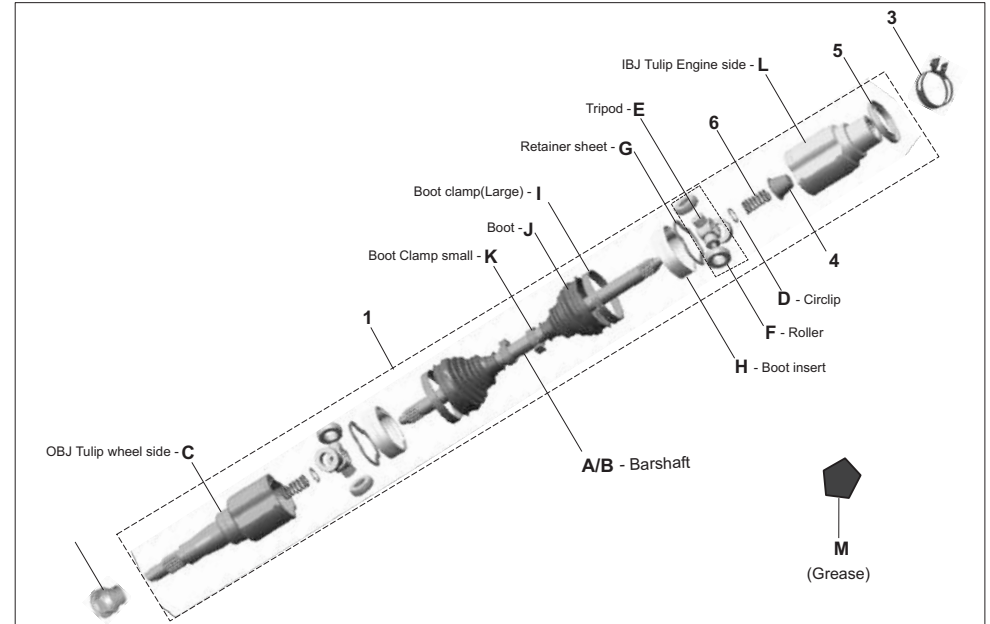


No.	Part No.	Description	BA	BH	BB	AL	Remarks
1	AA 1017 22	Flange assly (Sat.gear)	1	--	--	--	
2	24 1710 14	Lock washer assly	2	--	--	--	
3	39 0119 04	Bolt	2	--	--	--	
4	AA 1017 21	Flange assly (diff. gear)	1	--	--	--	
5	AA 1017 52	Flange assly (wheel side)	2	--	--	--	
6	BA 1330 28	Propeller shaft-LH assly.	1	--	--	--	
7	BA 1330 25	Propeller shaft-RH assly.	1	--	--	--	
8	24 1704 25	Pin for propeller shaft	4	--	--	--	
9	AL 1710 65	Slider block	8	--	--	--	
10	BG 1412 52	Rubber buffer- flange side	2	--	--	--	
11	BG 1412 53	Rubber buffer- wheel side	2	--	--	--	
12	24 1310 74	Bellow	3	--	--	--	
13	BG 1412 54	Bellow	1	--	--	--	
14	BB1310 24	Clamp -2	4	--	--	--	
15	39 1182 15	Nut	2	--	--	--	
16	24 1710 66	Spring clip	2	--	--	--	
17	24 1310 98	Nipple -grease	2	--	--	--	

BA - COMPACT
BH - COMPACT+
BB - MAXIMA
AL - CARGO

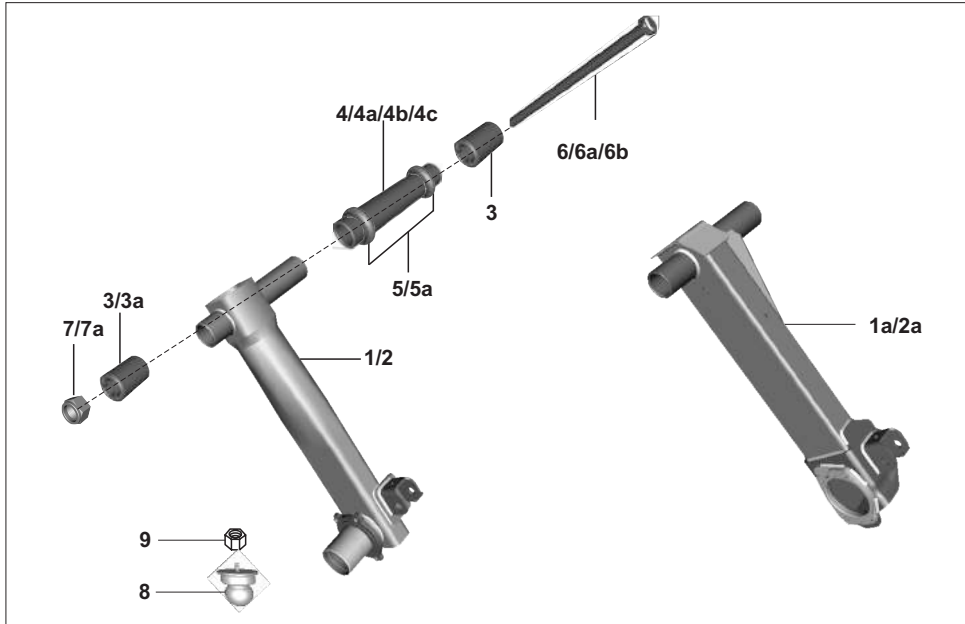
PLATE NO. 31a : DRIVE SHAFT CV

RE COMPACT,COMPACT+
MAXIMA,CARGO DIESEL



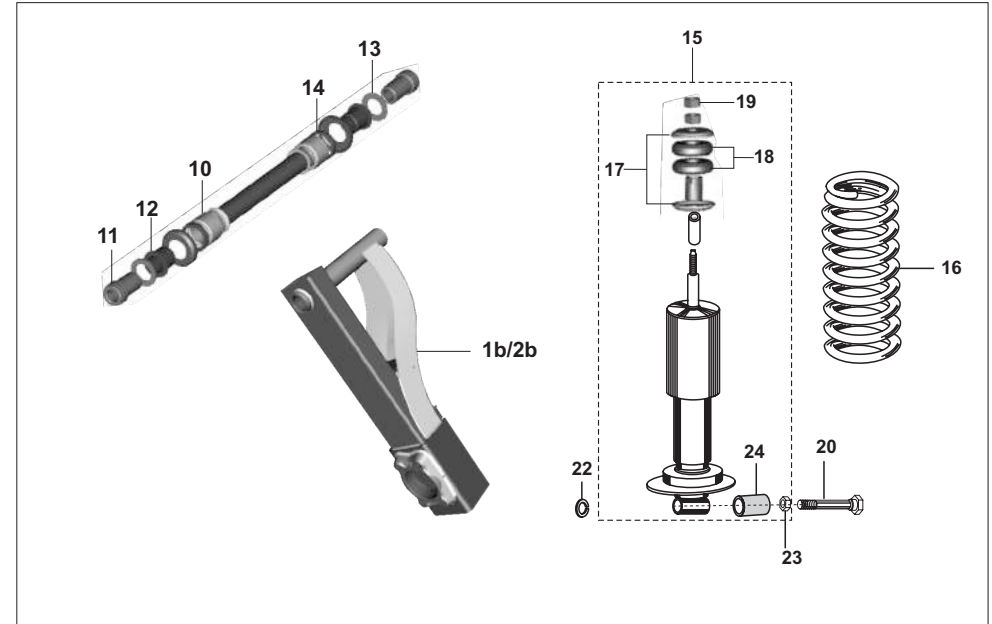
No.	Part No.	Description	BA	BH	BB	AL	Remarks
1	BH 1412 25	Assembly drive shaft - RH	--	1	--	--	From-27.08.13
1	BB 1330 95	Assembly drive shaft -RH	--	--	1	--	From-2.10.13
1	AL 1330 04	Assembly drive shaft -RH	--	--	--	1	
2	BH 1412 24	Assembly drive shaft - LH	--	1	--	--	From-27.08.13
2	BB 1330 96	Assembly drive shaft - LH	--	--	1	--	From-2.10.13
2	AL 1330 03	Assembly drive shaft - LH	--	--	--	1	
3	BH 5518 00	Clip lock drive shaft	--	2	2	2	
4	BH 5514 20	Plug	--	1	1	1	
5	BH 5514 21	Dust shield	--	1	1	1	
6	BH 5514 09	Spring	--	2	2	2	
7	36 BH00 06	Kit Boot (N-36BH0036)	--	1	1	1	J,I,K,M
8	36 BH00 07	Kit Boot & retainer(36BH0037)	--	1	1	1	J,I,K,M,G,H
9	36 BH00 08	Kit OBJ	--	1	--	--	C,I,K,M
9	36 BH00 09	Kit OBJ	--	--	1	1	C,I,K,M
10	36 BH00 10	Kit OBJ & tripod	--	1	--	--	C,I,K,M,E,F,D
10	36 BH00 11	Kit OBJ & tripod	--	--	1	1	C,I,K,M,E,F,D
11	36 BH00 30	Kit IBJ	--	1	1	1	L,I,K,M
12	36 BH00 31	Kit IBJ & tripod	--	1	1	1	L,I,K,M,E,F,D
13	36 BH00 14	Kit Barshaft LH (N-36BH0039)	--	1	--	--	A,D,I,K
13	36 BH00 17	Kit Barshaft LH (N-36BB0047)	--	--	1	--	A,D,I,K
13	36 AL00 42	Kit Barshaft LH	--	--	--	1	A,D,I,K
14	36 BH00 15	Kit Barshaft RH(N-36BH0040)	--	1	--	--	B,D,I,K
14	36 BH00 18	Kit Barshaft RH(N-36BB0048)	--	--	1	--	B,D,I,K
14	36 AL00 43	Kit Barshaft RH(N-36BB0043)	--	--	--	1	B,D,I,K
15	36 BH00 19	Kit roller (3 nos)	--	1	1	1	F.

BA - COMPACT
BH - COMPACT+
BB - MAXIMA
AL - CARGO



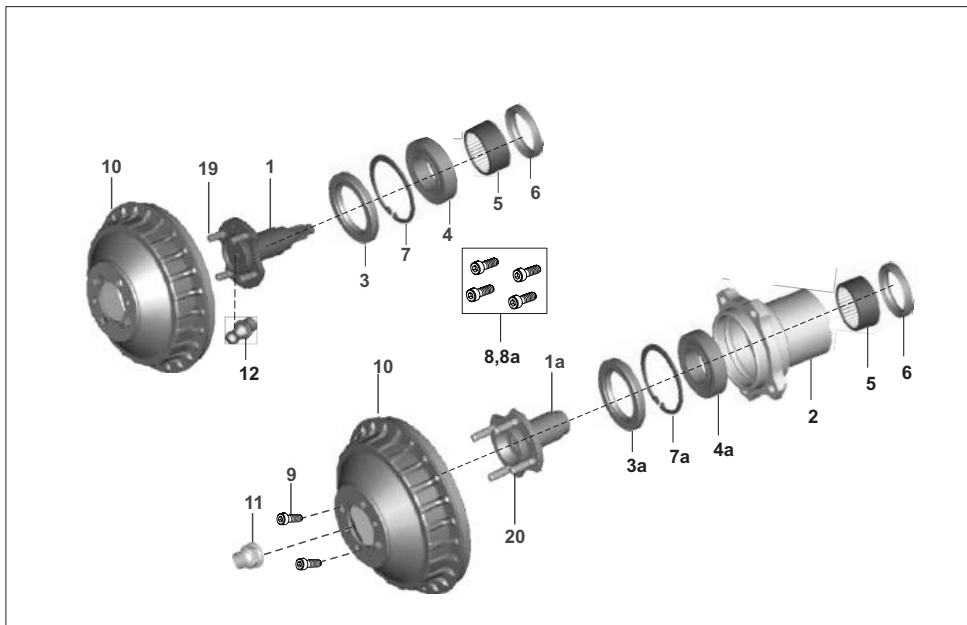
No.	Part No.	Description	BA	BH	BB	AL	Remarks
1	24 1711 79	Trailing arm Assly LH	1	-	-	-	
2	24 1711 80	Trailing arm assembly RH	1	-	-	-	
1a	BH 1220 05	Trailing arm Assly LH	--	1	-	-	
2a	BH 1220 06	Trailing arm assembly RH	--	1	-	-	
1b	BB 1710 23	Assembly rear trailing arm RH	-	-	1	-	BB 1710 08
2b	BB 1710 22	Assembly rear trailing arm LH	-	-	1	-	BB 1710 07
1c	AL 1711 22	Assembly rear trailing arm RH	-	-	-	1	
2c	AL 1711 18	Assembly rear trailing arm LH	-	-	-	1	
3	AA 1710 06	Bush-silent for trailing arm	2	2	-	-	
3a	AL 1710 11	Bush - silent for trailing arm	-	-	2	2	
4	Aa 1710 22	Distance piece assly	2	-	-	-	
4a	AA 1710 07	Distance piece assly	--	2	-	-	
4b	AL 1711 43	Distance piece	-	-	2	-	
4c	AL 1711 47	Distance piece	-	-	-	2	
5	Aa 1710 24	Spacer ring-dist.piece	4	--	4	--	
5a	BH 1220 28	Spacer ring-dist.piece	--	4	-	4	
6	AA 1710 11	Pivot pin trailing arm	2	-	-	-	
6a	BH 1220 02	Pivot pin trailing arm	--	2	-	-	
6b	AL 1710 20	Pivot pin	--	--	2	2	
7	39 2607 15	Nut	-	-	2	2	
7a	39 0303 15	Nut m14 - ta	-	-	2	2	
8	AL 1710 17	Damper rubber-rear suspension	-	-	2	2	
9	39 0690 15	Nut - nyloc - M8	-	-	2	2	

BA - COMPACT
BH - COMPACT+
BB - MAXIMA
AL - CARGO



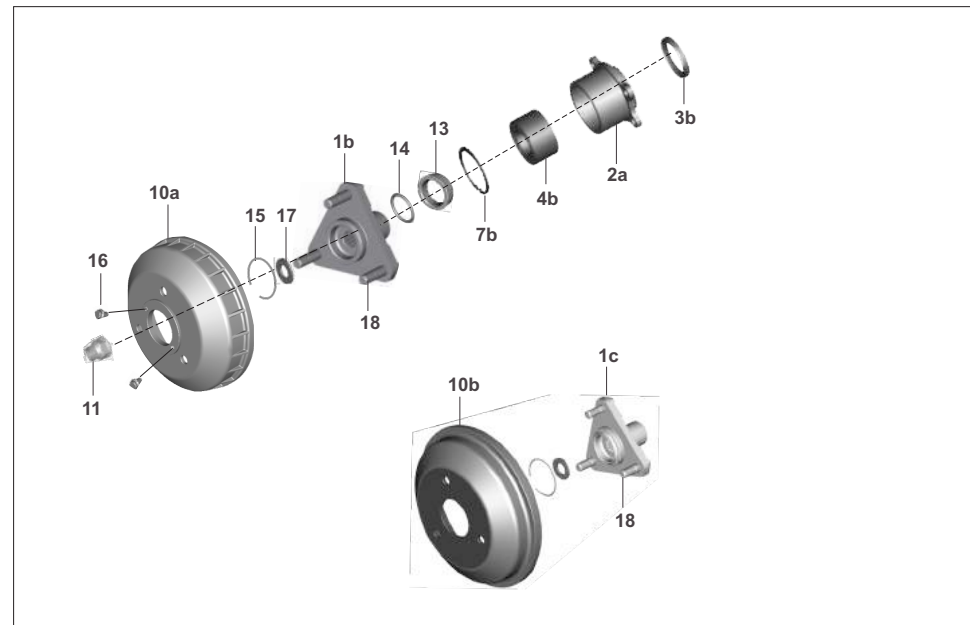
No.	Part No.	Description	BA	BH	BB	AL	Remarks
10	BH 1220 24	Spacer bush trailing arm	-	4	-	4	
11	BH 1220 25	Sleeve inner trailing arm	-	4	-	4	
12	BH 1220 26	Bush igus trailing arm	-	4	-	4	
13	BH 1220 30	Stopper Disc trailing arm	-	4	-	4	
14	JG 1220 12	Oil Seal	-	4	-	4	
15	BA 1710 09	Rear shock absorber assembly	2	2	-	-	
15	AL 1710 31	Rear shock absorber	-	-	2	2	
16	BA 1710 05	Rear suspension spring	2	-	-	-	
16	BH 1220 00	Rear suspension spring	--	2	-	-	
16	BB 1710 27	Rear suspension spring	-	-	2	2	
17	BA 1710 08	Cup washer top side	1	1	1	1	
18	BA 1710 07	Rubber bush with cup washer	4	4	4	4	
19	39 1336 15	Nut(w/o plating)	--	--	4	4	
19	KC AD14 11	Nut hex thick	2	2	2	2	
20	24 1705 07	Bolt for shock absorber	2	2	2	2	
21	24 1710 49	Mounting rubber with sleeve	2	2	-	-	
21	AL 1710 36	Rubber - mounting / sleeve	-	-	2	2	
22	39 1827 12	Spring washer	2	2	2	2	
22	39 0269 12	Spring washer	2	2	2	2	
23	39 2607 15	Nut - nyloc- m12 x 1.5	2	2	2	2	
24	BB 1710 36	Bush	1	1	1	1	

BA - COMPACT
BH - COMPACT+
BB - MAXIMA
AL - CARGO



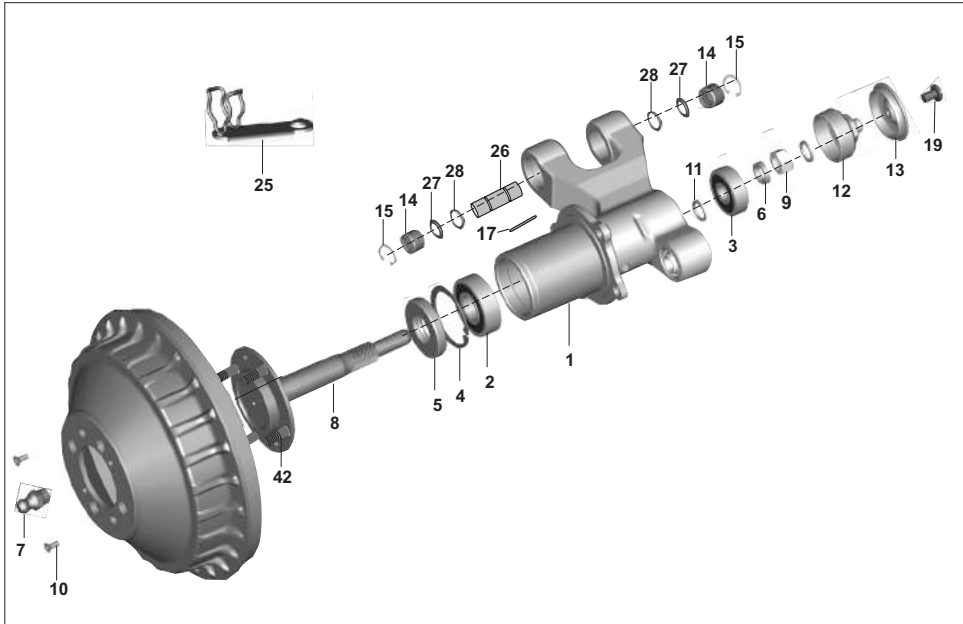
No.	Part No.	Description	BA	BH	BB	AL	Remarks
1	24 1711 18	Axle assembly RR wheel	2	-	-	-	
1a	BH 1312 04	Assembly drive flange	--	2	-	-	
1b	BB 1510 36	Assembly drive flange	-	-	2	-	
1c	AL 1512 49	Assembly drive flange	-	-	-	2	
2	BH 1312 03	Rear hub	--	2	-	-	
2a	BB 1510 30	Rear hub	-	-	2	2	
3	24 1710 24	Seal - oil 48 dia.	2	-	-	-	
3a	BF 1317 23	Seal 41x60x7	--	2	-	-	
3b	BB 1510 34	Seal	-	-	2	2	
4	01 1003 42	Bearing ball	2	-	-	-	
4a	BF 1317 22	Bearing 30X55X13-RR Hub	--	2	-	-	
4b	BB 1510 31	Bearing 30X55X13-RR Hub	-	-	2	2	
5	59 2000 12	Bearing - needle (SL 35 20)	2	2	-	-	
6	22 1710 07	Seal - oil	2	2	-	-	
7	39 0342 17	Internal circlip	2	-	-	-	
7a	KE BB55 20	Circlip	--	2	-	-	
7b	KE BB68 25	Circlip	-	-	2	2	
8	LA C000 35	Bolt-socket-m8	--	8	-	-	
8a	LA C000 44	Bolt - Socket - M-8	-	--	8	8	
9	KB CA04 10	Screw Csk Cross	4	4	-	-	
10	22 1511 06	Brake drum RR	2	2	-	-	
10a	AL 1511 51	Brake drum RR	-	-	2	-	
10b	AI 1512 42	Drum brake rear	-	-	-	2	

BA - COMPACT
BH - COMPACT+
BB - MAXIMA
AL - CARGO



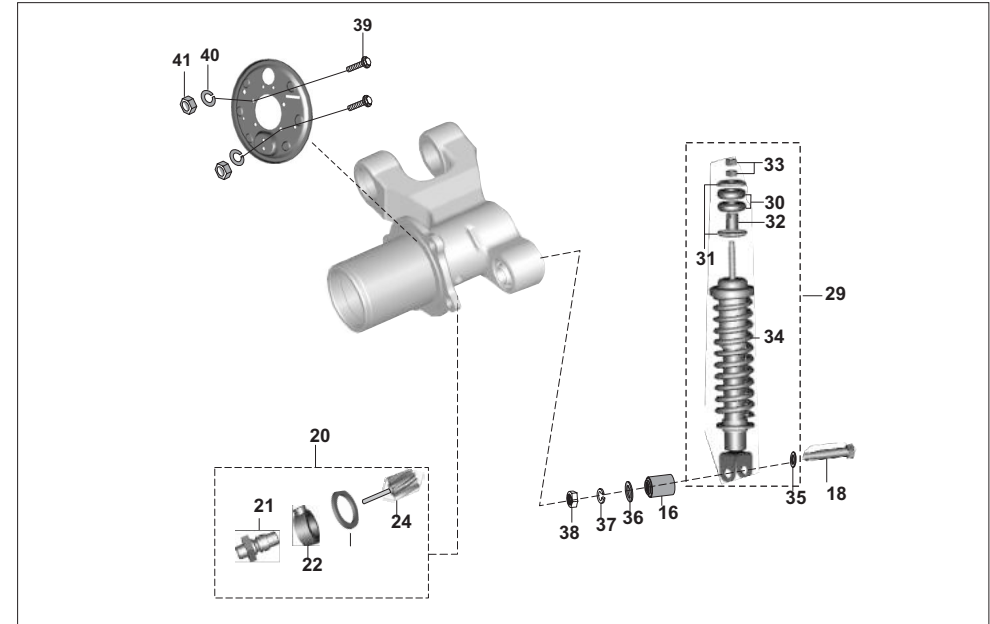
No.	Part No.	Description	BA	BH	BB	AL	Remarks
11	BF1317 07	Nut axle M16	--	2	2	2	
12	24 1710 75	Nipple - grease	2	-	-	-	
13	BB 1331 07	Sleeve drive shaft	-	-	2	2	
14	KJ AA30 35	O ring	-	-	2	2	
15	AI 1710 27	Circlip for AI151151	-	-	2	-	
15	AI 1512 54	Circlip for AI151151	-	-	--	2	
16	39 1791 04	Bolt flanged	-	-	2	-	
17	KD Ba16 32	Washer plain	-	-	2	2	
18	AL 1710 66	Bolt for axle	-	-	6	6	
19	22 1704 34	Bolt for axle Compact	4	-	-	-	
20	24 1512 39	Bolt for drive flange Compact+	-	4	-	-	

BA - COMPACT
BH - COMPACT+
BB - MAXIMA
AL - CARGO



No.	Part No.	Description	BA	BH	BB	AL	Remarks
1	24 1711 36	Hub front wheel	1	-	-	--	SHL
1	AA 1510 47	Hub front wheel	1	-	-	-	
2	39 2550 20	Bearing -ball:	1	-	-	-	
3	39 2362 20	Bearing - ball :- 12 x 37 x 12	1	-	-	-	
4	KE BB47 17	Circlip 47x17	1	-	-	-	
5	22 1701 15	Seal - oil	1	-	-	-	
6	AA 1510 49	Spacer	1	-	-	-	
7	CL 1810 24	Nipple - grease	1	-	-	-	
8	AB 1710 34	Axle assembly - wheel FR	1	-	-	--	SHL
8	24 1512 66	Assembly axle front wheel	1	-	-	-	
9	59 1500 03	U nut m12	1	-	-	-	
10	KB CA04 10	Screw csk cross	2	-	-	-	
11	22 1701 17	Spacer	1	-	-	-	SHL
11	22 1701 18	Spacer	1	-	-	-	
12	AB 1710 22	Cup - grease :- nut	1	-	-	-	
13	AB 1710 23	Cap - front wheel hub	1	-	-	-	
14	AB 1710 20	Bush - needle	2	-	-	-	
15	39 2357 17	Circlip - internal	2	-	-	-	
16	AB 1710 16	Bush assey-fr sh ab mtg	1	-	-	-	
17	03 1701 09	Pin	1	-	-	-	SHL
18	AB 1710 31	Bolt for shmounting	1	-	-	-	
19	KB TA04 06	Screw pan - slotted :- m4 x 0.7	1	-	-	-	
20	05 1903 01	Drive complete - speedometer	1	-	-	--	SHL
21	05 1910 05	Support	1	-	-	-	SHL
22	06 1910 61	Lubricator assembly	1	-	-	-	SHL
24	05 1903 02	Gear assembly - nylon	1	-	-	--	SHL

BA - COMPACT
BH - COMPACT+
BB - MAXIMA
AL - CARGO

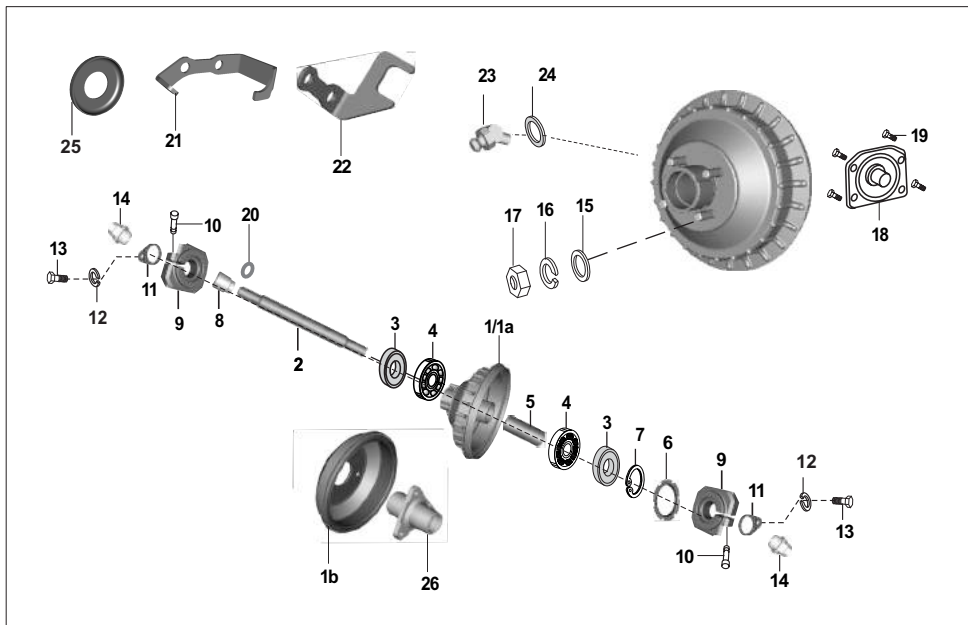


No.	Part No.	Description	BA	BH	BB	AL	Remarks
25	24 1512 47	Assembly bracket guide hose	1	-	-	-	
26	24 1711 29	Pin pivot	1	-	-	-	
27	24 1711 38	Spacer	2	-	-	-	
28	30 1011 85	Ring - o	2	-	-	-	
29	AB 1710 44	FR shock absorber assly	1	-	-	-	
30	AB 1710 13	Bush - top rubber	2	-	-	-	
31	AB 1710 14	Cup - locating top rubb	2	-	-	-	
32	AB 1710 15	Spacer nut spring cup	1	-	-	-	
33	39 0295 15	Hexagon nut-m9x1.25	2	-	-	--	
34	AB 1710 17	Spring - fr suspension	1	-	-	-	
35	39 0543 11	Plain washer	1	-	-	-	
36	39 1054 11	Plain washer	1	-	-	-	
37	39 0789 12	Washer spring	1	-	-	-	
38	39 0296 15	Hexagon nut	1	-	-	-	
39	24 1711 17	Bolt hexagon wtht flange	4	-	-	-	
40	39 0789 12	Washer spring	4	-	-	-	
41	39 0694 15	Hex nut	4	-	-	-	
42	03 1007 18	Bolt for rear/fr wheel flange	4	-	-	-	
43	36 2440 16	kit pivot pin & bush(increased lngth)	1	-	-	-	NI

BA - COMPACT
BH - COMPACT+
BB - MAXIMA
AL - CARGO

PLATE NO. 35 : FRONT BRAKE DRUM

RE COMPACT,COMPACT+
MAXIMA,CARGO DIESEL

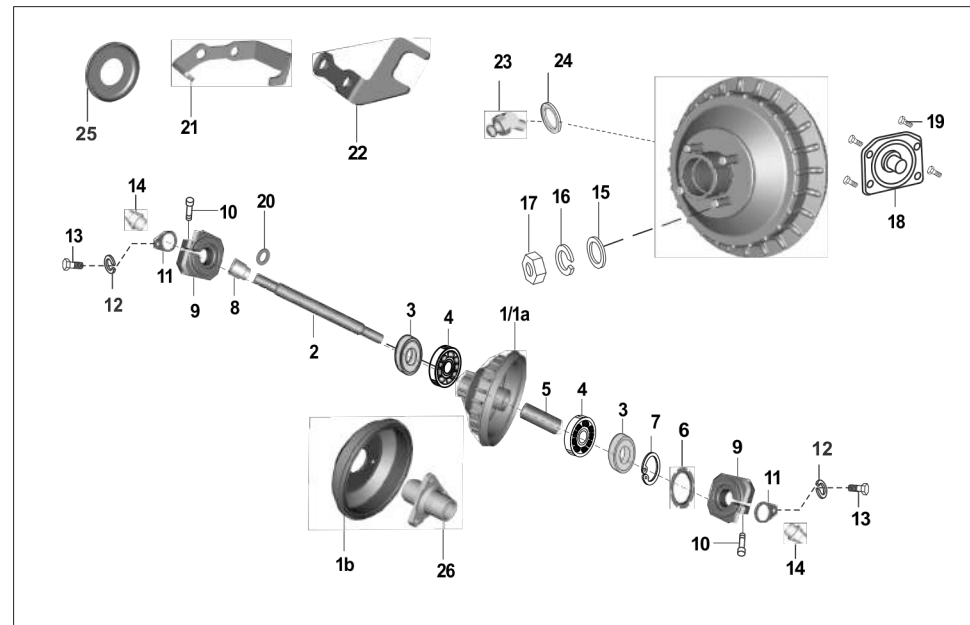


No.	Part No.	Description	BA	BH	BB	AL	Remarks
1	BH 1318 09	Fr. Brake Drum with studs	--	1	--	--	
1a	AL 1510 93	Fr. Brake Drum with studs	--	--	1	--	
1b	AI 1512 42	Drum brake front	--	--	--	1	
2	AP 1510 02	Front Wheel Axle	--	2	--	--	
2	AL 1510 04	Front Wheel Axle	--	--	2	2	
3	39 1737 19	Seal - Oil :- 26 X 42 X 8	--	2	2	2	
4	39 2240 20	Ball Bearing	--	2	--	2	
4	39 2465 20	Ball Bearing	--	--	2	--	
5	AP 1510 25	Distance piece assly	--	1	--	--	
5	AL 1510 05	Distance piece assly	--	--	1	1	
6	AL 1510 07	Collar	--	1	1	1	
7	39 2464 17	Circlip	--	1	1	--	
7	KE BB42 17	Circlip internal	--	--	--	1	
8	BH 1316 00	Spacer assly. BH131601	--	1	--	--	
8	AL 1510 08	Spacer assly.	--	--	1	1	
9	AL 1510 89	Special Nut-M16	--	2	2	2	
10	39 2038 04	Hex socket head bolt	--	4	4	4	
11	AL 1510 12	Locking Clip	--	2	2	2	
12	39 0263 12	Spring washer	--	2	2	2	
13	39 1079 01	Hex head screw	--	2	2	2	
14	AL 1510 11	Collar Nut	--	2	2	2	
15	39 1180 11	Plain washer	--	4	4	4	

BA - COMPACT
BH - COMPACT+
BB - MAXIMA
AL - CARGO

PLATE NO. 35 : FRONT BRAKE DRUM

RE COMPACT,COMPACT+
MAXIMA,CARGO DIESEL

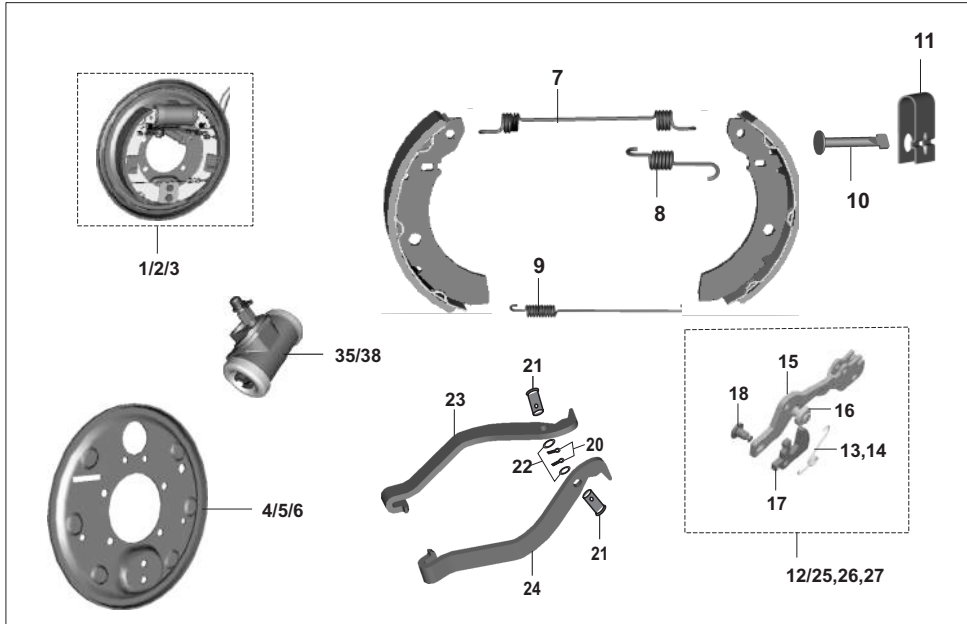


No.	Part No.	Description	BA	BH	BB	AL	Remarks
16	39 1829 12	Spring washer	--	4	4	--	
17	39 0312 15	Hex nut.	--	4	--	--	
17	39 2538 15	Hex nut.	--	--	2	2	
18	AP 1510 31	Flange Backplate Fr	--	1	--	--	
19	39 2534 04	Bolt - Hexagon Head M8	--	4	--	--	
20	KJ AA20 24	O ring	--	2	2	2	
21	BH 1310 11	Bracket hose guide front	--	1	--	--	
22	AL 1512 63	Bracket hose guide	--	--	--	1	
23	35 1710 33	Nipple Grease	--	--	2	2	
24	39 0740 11	Washer non metallic	--	--	2	2	
25	AL 1510 10	Cover - Dust	--	--	1	1	
26	AL 1512 43	Hub front cargo	--	--	--	1	

BA - COMPACT
BH - COMPACT+
BB - MAXIMA
AL - CARGO

PLATE NO. 36: AUTO ADJUSTER BRAKE SYSTEM

RE COMPACT,COMPACT+
MAXIMA,CARGO DIESEL

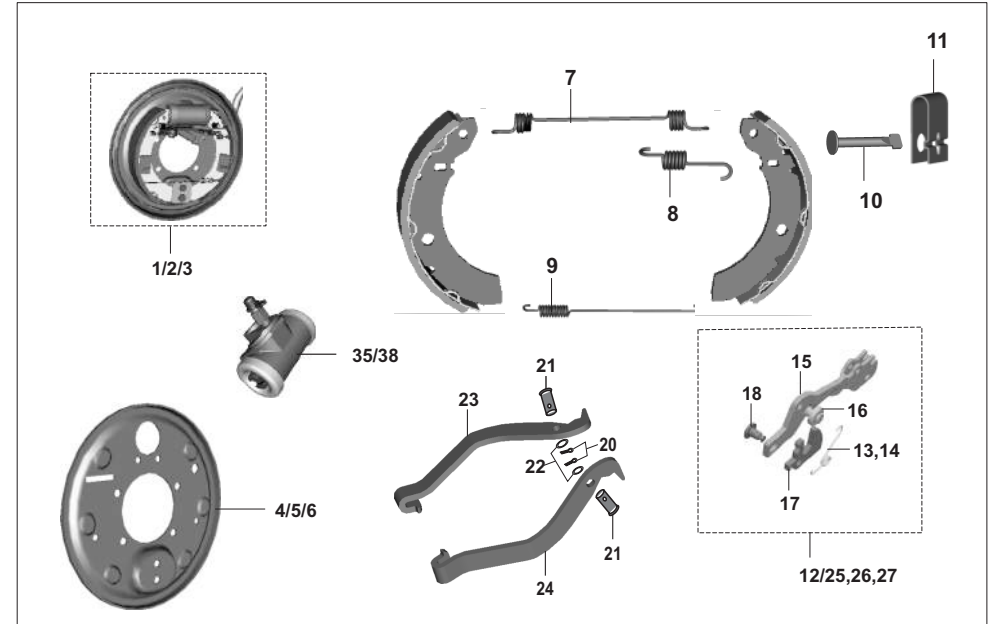


No.	Part No.	Description	BA	BH	BB	AL	Remarks
1	24 1512 43	Panel assembly FR brake	1	-	-	-	
1	BH 1310 06	Panel assembly front	-	1	-	-	
2	BH 1312 13	Panel assly RH	1	1	-	-	
3	BH 1312 12	Panel assly LH	1	1	-	-	
4	AP 1510 17	Back panel assly FR	1	1	-	-	
5	24 1511 74	Back plate assly. LH	1	1	-	-	
6	24 1511 78	Back panel assly RH	1	1	-	-	
7	24 1511 33	Main spring	3	3	-	-	NS
8	24 1511 34	Spring strut holding LH	1	1	-	-	NS
8a	24 1511 53	Spring strut holding RH	1	1	-	-	NS
9	24 1511 35	Spring shoe holding	1	1	-	-	NS
10	24 1511 37	Pin pivot shoe	2	2	-	-	NS
11	24 1511 38	Spring shoe clamping	2	2	-	-	NS
12	24 1511 68	Auto adjuster assly FR	1	1	-	-	
12a	24 1511 79	Auto adjuster assly RH	1	1	-	-	
12b	24 1511 75	Auto adjuster assly LH	1	1	-	-	
13	24 1511 32	Spring strut LH	1	1	-	-	NS
14	24 1511 52	Spring strut RH	1	1	-	-	NS
15	24 1511 29	Strut plate FR.	1	1	-	-	NS
15a	24 1511 44	Strut plate LH	1	1	-	-	NS
15b	24 1511 51	Strut plate RH	1	1	-	-	NS
16	24 1511 31	Pinion	3	3	-	-	
17	24 1511 30	Plate ratchet	1	1	-	-	NS
18	24 1511 39	Pin ratchet	1	1	-	-	Ns
19	24 1512 68	brake shoe kit (ask lining)	3	3	-	-	2nos+10,11
20	24 1511 47	Pin split - hbl	2	2	-	-	NS

BA - COMPACT
BH - COMPACT+
BB - MAXIMA
AL - CARGO

PLATE NO. 36 : AUTO ADJUSTER BRAKE SYSTEM

RE COMPACT,COMPACT+
MAXIMA,CARGO DIESEL

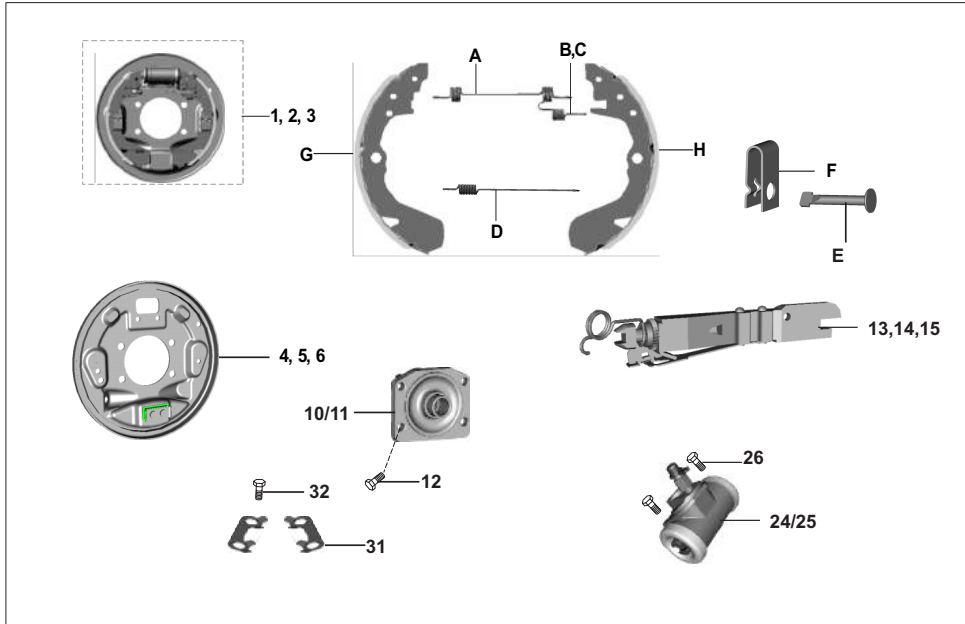


No.	Part No.	Description	BA	BH	BB	AL	Remarks
21	24 1511 46	Pin pivot-park lever	1	1	-	-	NS
22	24 1511 48	Washer- plain park lever	1	1	-	-	
23	BH 1318 13	Lever parking brake LH	1	1	-	-	
24	BH 1318 14	Lever parking brake RH	1	1	-	-	
25	24 1511 69	Strut assly front complete	1	1	-	-	Inc-13,15,16,17,18
26	24 1511 76	Strut asslt LH complete	1	1	-	-	Inc-13,15a,16,17,18
27	24 1511 80	Strut asslt RH complete	1	1	-	-	Inc-14,15b,16,17,18,9
28	24 1511 72	Shoe clamp spring kit	3	3	-	-	Inc-10,11
29	24 1511 82	Spring kit RH	3	3	-	-	Inc-9,7,8a
29a	24 1511 73	Spring kit FR/LH	3	3	-	-	Inc-9,7,8
30	24 1511 70	Ratchet kit for fr & LH	2	2	-	-	Inc-13,17,18
31	24 1511 81	Ratchet kit RH	1	1	-	-	Inc-14,17,18
32	24 1511 77	Lever parking brake LH	1	1	-	-	Inc-20,21,22,23
33	24 1511 83	Lever parking brake RH	1	1	-	-	Inc-20,21,22,24
34	AL 1510 54	Bolt	2	2	-	-	
35	24 1511 63	Wheel cylinder FR	1	1	-	-	
35	24 1511 64	Wheel cylinder FR	1	1	-	-	
36	24 1511 07	Major kit fr	1	1	-	-	
37	24 1511 08	Minor kit fr	1	1	-	-	
38	24 1511 64	Wheel cylinder RR	1	1	-	-	
39	24 1511 13	Major kit rr	1	1	-	-	
40	24 1511 14	Minor kit rr	1	1	-	-	
41	AB 1510 79	Screw - bleeder	1	1	-	-	
42	AL 1510 52	Cap - bleeder 64	1	1	-	-	
43	24 1511 71	Brake shoe kit with spring	1	1	-	-	Inc-19,28
44	36 BA40 15	Wheel cylinder mtg kit	1	1	-	-	(screw 2,brk 1)

BA - COMPACT
BH - COMPACT+
BB - MAXIMA
AL - CARGO

PLATE NO.36a : AUTO ADJUSTER BRAKE SYSTEM

RE COMPACT,COMPACT+
MAXIMA,CARGO DIESEL

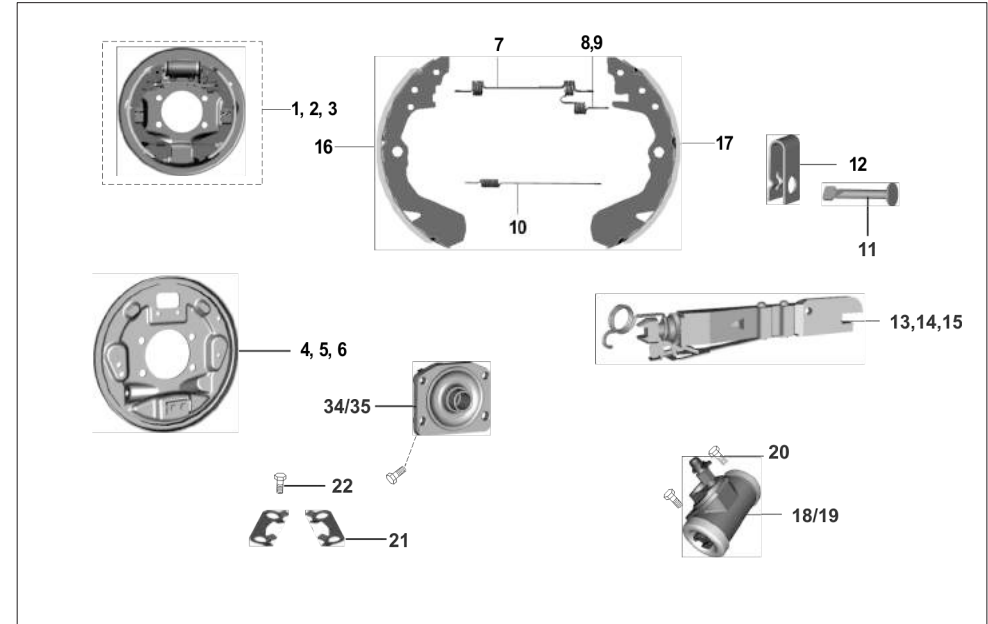


No.	Part No.	Description	BA	BH	BB	AL	Remarks
1	BB 1510 53	Assembly brake panel with flange	-	-	1	-	
1	AL 1512 35	Assembly brake panel with flange	-	-	-	1	
1	AL 1512 36	Panel Ass FR 3wh Cargo	-	-	-	1	
2	BB 1510 56	Panel assly RH	-	-	1	-	
2	AL 1512 38	Panel assly RH	-	-	-	1	
3	BB 1510 55	Panel assly LH	-	-	1	-	
3	AL 1512 37	Panel assly LH	-	-	-	1	
4	AL 1511 92	Back plate assly FR	-	-	1	-	
4	36 AL00 33	Back plate assly FR-AL151239	-	-	-	1	
5	BB 1510 43	Back plate assly RH	-	-	1	-	
5	36 AL00 38	Back platel assly RH-BB151262	-	-	-	1	
6	BB 1510 42	Back plate assly. LH	-	-	1	-	
6	36 AL00 40	Back plate assly. LH BB151261	-	-	-	1	
7	BB 1510 64	Shoe clamp spring kit	-	-	3	3	inc-E,F
8	BB 1510 62	Spring kit fr. Lh	-	-	3	3	inc-A,B,D
9	BB 1510 63	Spring kit rh	-	-	3	3	inc-A,C,D
10	AL 1510 27	Flange backplate fr	-	-	1	-	
11	AL 1512 47	Flange back plate cargo	-	-	-	1	
12	39 0423 04	Bolt hexagon head	-	-	4	4	
13	AL 1511 94	Auto adjuster assly front	-	-	1	1	
14	AL 1512 12	Auto adjuster assly RH	-	-	1	1	
15	AL 1512 11	Auto adjuster assly LH	-	-	1	1	
16	BB 1510 67	Brake leading kit	-	-	1	-	inc-E,F,G
17	36 AL00 32	Brake leading kit	-	-	-	1	inc-E,F,G
18	BB 1510 68	Brake shoe trailing fr kit	-	-	1	-	inc-E,F,H
19	36 AL00 31	Brake shoe trailing fr kit	-	-	1	-	inc-E,F,H

BA - COMPACT
BH - COMPACT+
BB - MAXIMA
AL - CARGO

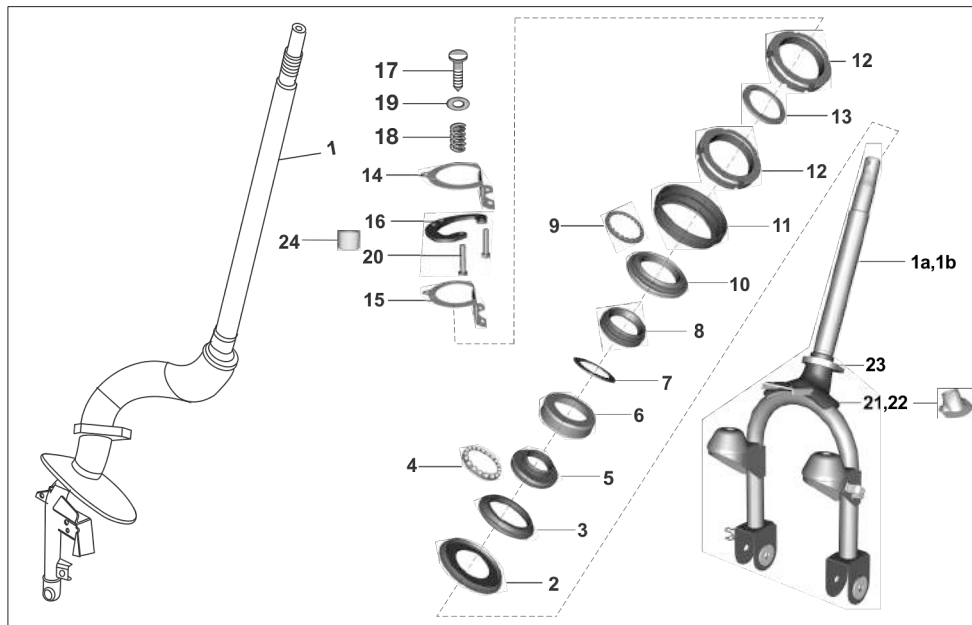
PLATE NO.36a : AUTO ADJUSTER BRAKE SYSTEM

RE COMPACT,COMPACT+
MAXIMA,CARGO DIESEL



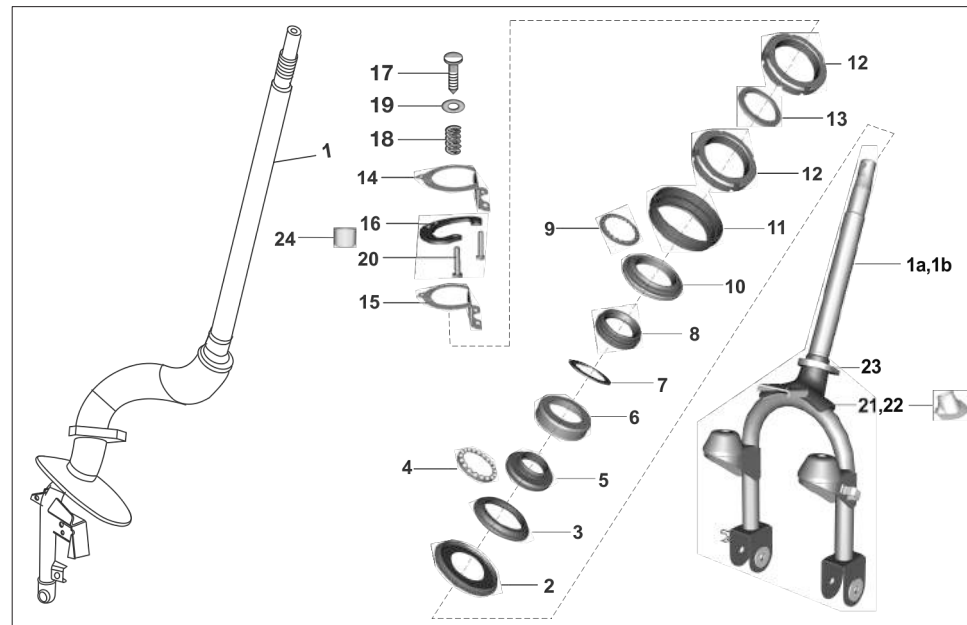
No.	Part No.	Description	BA	BH	BB	AL	Remarks
20	BB 1510 69	Brake shoe trailing- hbl lh kit	-	-	2	-	inc-E,F,H
21	36 AL00 39	Brake shoe trailing- hbl lh kit	-	-	-	2	inc-E,F,H
22	BB 1510 70	Brake shoe trailing-hbl rh kit	-	-	2	-	inc-E,F,H
23	36 AL00 37	Brake shoe trailing-hbl rh kit	-	-	-	2	inc-E,F,H
24	AL 1512 10	Assy wheel cylinder rear RH	-	-	1	-	
25	AL 1511 93	Assy wheel cylinder FR/LH	-	-	2	-	
25	AL 1512 31	Assy wheel cylinder	-	-	-	3	
26	AL 1512 05	Bolt wheel cylinder Mtg.	-	-	2	2	
27	BB 1510 65	Wheel cylinder major kit	-	-	3	-	
28	36 AL00 30	Wheel cylinder major kit	-	-	-	3	
29	BB 1510 66	Wheel cylinder minor kit	-	-	3	-	
30	36 AL00 29	Wheel cylinder minor kit	-	-	-	3	
31	AL 1710 53	Lock plate	-	-	2	2	
32	39 0423 04	Bolt-lock plate	-	-	4	4	
33	BF 1319 05	Washer spring	-	-	3	3	
34	BF 1319 04	Plug protection	-	-	2	2	
35	36 BB00 35	Protection plug kit (36bb0034)	-	-	3	3	
36	36 BB40 14	Wheel cylinder mounting kit	-	-	-	3	
37	36 AL00 34	Flange kit fr re-cargo	-	-	-	3	
38	36 AL00 35	Benjo bolt kit	-	-	-	3	
A	AL 1511 95	Main spring	-	-	1	1	NS
B	AL 1511 97	Spring strut holding LH & FR	-	-	1	1	NS
C	AL 1511 98	Spring strut holding RH	-	-	1	1	NS
D	AL 1511 96	Spring shoe holding	-	-	1	1	NS
E	AL 1512 02	Pin pivot shoe	-	-	1	1	NS
F	AL 1512 01	Spring shoe clamping	-	-	1	1	NS
G		Break shoe leading	-	-	1	1	
H		Break shoe Trailing	-	-	1	1	

BA - COMPACT
BH - COMPACT+
BB - MAXIMA
AL - CARGO



No.	Part No.	Description	BA	BH	BB	AL	Remarks
1	24 1811 60	Steering column assembly	1	-	-	--	
1	AA 1710 25	Steering column assembly	1	-	-	--	
1	AA 1710 27	Steering column assembly	1	-	-	--	FR.12.3.2015
1a	BH 1510 01	Fork assembly	--	1	-	--	
1a	BH 1510 62	Fork assembly	--	1	-	--	FR.11.3.2015
1b	BB 1810 07	Fork assembly	-	-	1	1	
1b	BB 1810 12	Fork assembly	-	-	1	1	FR.11.3.2015
2	AA 1810 23	Dust cover bottom	1	-	-	--	
2	BH 1510 07	Cover dust lower	--	1	-	--	
2	AL 1810 06	Cover dust lower	-	-	1	1	
3	AA 1810 22	Bearing race lower	1	1	-	--	
3	AL 1810 04	Bearing race lower	-	-	1	1	
4	AB 1810 12	Steel ball with cage lower	1	1	-	--	
4	AL 1810 07	Balls with cage lower	-	-	1	1	
5	AB 1810 33	Bearing race lower outer	1	1	-	--	
5	AL 1810 03	Bearing race lower outer	-	-	1	1	
6	BH 1510 08	Dust cover top bearing	1	1	-	--	
6	AL 1810 05	Dust cover top	-	-	1	1	
7	BH 1510 09	Spacer fork front	1	1	-	--	
7	BB 1810 10	Spacer fork front	-	-	1	1	
8	AB 1810 19	Bearing race upper outer	1	1	1	1	
9	AB 1810 17	Steel ball with cage upper	1	1	-	--	
9	AL 1810 09	Steel ball with cage upper	-	-	1	1	

BA - COMPACT
BH - COMPACT+
BB - MAXIMA
AL - CARGO

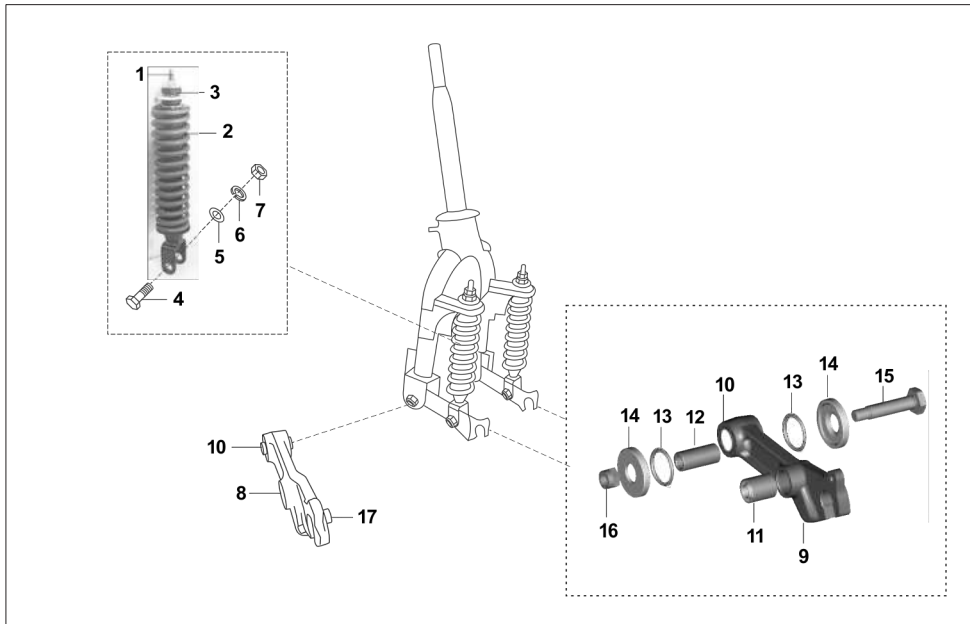


No.	Part No.	Description	BA	BH	BB	AL	Remarks
10	24 1810 46	Bearing race upper inner	1	1	1	1	
11	24 1614 43	Dust Cover	1	1	1	1	
12	24 1810 47	Lock ring upper race	2	2	2	2	
13	AB 1810 20	Spacer washer bearing	1	1	1	1	
14	BH 1510 65	Plate upper	1	1	1	1	
15	BH 1510 66	Plate assly lower	1	1	1	1	
16	22 1810 58	Steering lock plate assly	1	1	1	1	
17	21 1803 07	Knob	1	1	1	1	
18	21 1803 08	Spring	1	1	1	1	
19	39 0198 11	Washer plain	1	1	1	1	
20	KA AD05 20	Bolt	2	2	-	-	
20	KA AD05 25	Bolt	--	--	2	2	
21	BH 1110 56	Rubber flap / bellow	--	1	-	-	
22	BB 1611 07	Rubber flap / bellow	-	-	1	1	
23	BH 1210 02	Strap Cable (210x6)	-	1	-	-	
24	24 1811 61	Spacer dampening plate	2	2	-	-	
24	BB 1510 52	Spacer dampening plate	-	-	2	2	

BA - COMPACT
BH - COMPACT+
BB - MAXIMA
AL - CARGO

PLATE NO.38 : FRONT SHOCK ABSORBER & LINKAGE

RE COMPACT,COMPACT+
MAXIMA,CARGO DIESEL

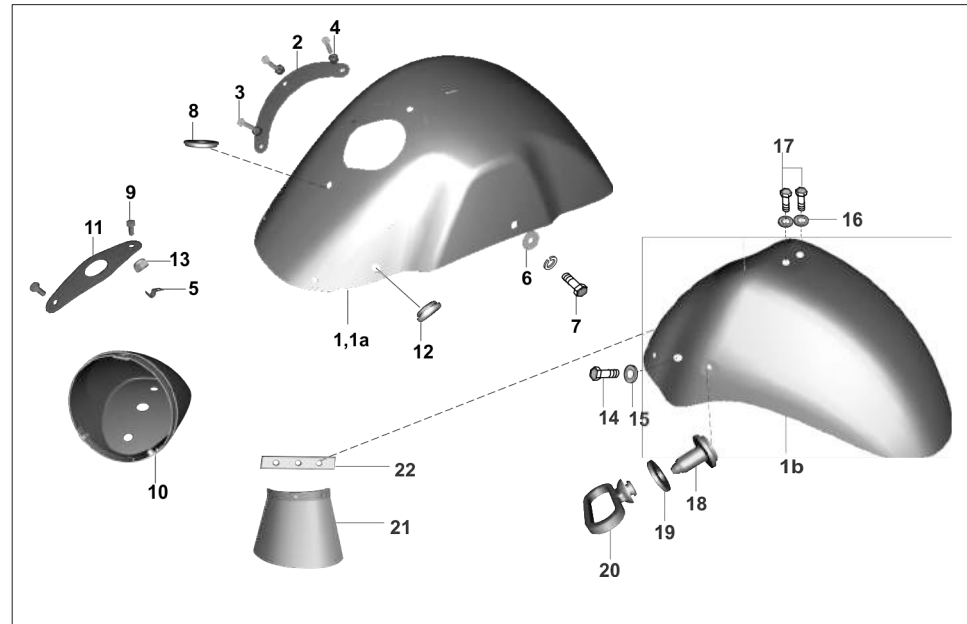


No.	Part No.	Description	BA	BH	BB	AL	Remarks
1	BH 1210 04	Assembly Fr. Damper	--	2	--	--	
1	AL 1710 47	Assembly Fr. Damper	--	--	2	--	
1	AL 1711 39	Assembly front shockabsorber	--	--	--	2	
2	BH 1210 05	Spring Fr. suspension	--	2	--	--	
2	AL 1710 45	Spring Fr. suspension	--	--	2	2	
3	AL 1710 67	Rubber Bush	--	2	2	2	
4	39 2516 04	Shoulder bolt	--	2	2	2	
5	39 1054 11	Plain washer	--	2	2	2	
6	39 0789 12	Spring washer	--	2	2	2	
7	39 0296 15	Hexagon Nut	--	2	2	2	
8	AL 1710 93	Link-RH assembly	--	1	1	--	
8	AI 1711 27	Link-RH assembly	--	--	--	1	
9	AL 1710 91	Link-LH assembly	--	1	1	1	
10	AL 1710 95	Bearing sleeve-Igus bush	--	2	2	2	
11	AB 1710 16	Bush	--	2	2	2	
12	AL 1710 81	Bush link pivot	--	2	2	2	
13	39 1564 21	"O" Ring	--	4	4	4	
14	AL 1711 04	Cap Link pivot	--	4	4	4	Igus bush
15	AL 1710 51	Bolt For Link pivot	--	2	2	2	Link LH & RH
16	39 0939 15	Hex nyloc nut	--	2	2	2	Link LH & RH
17	AL 1710 58	Locking Pin	--	2	2	2	

BA - COMPACT
BH - COMPACT+
BB - MAXIMA
AL - CARGO

PLATE NO. 39 : FRONT MUDGUARD

RE COMPACT,COMPACT+
MAXIMA,CARGO DIESEL

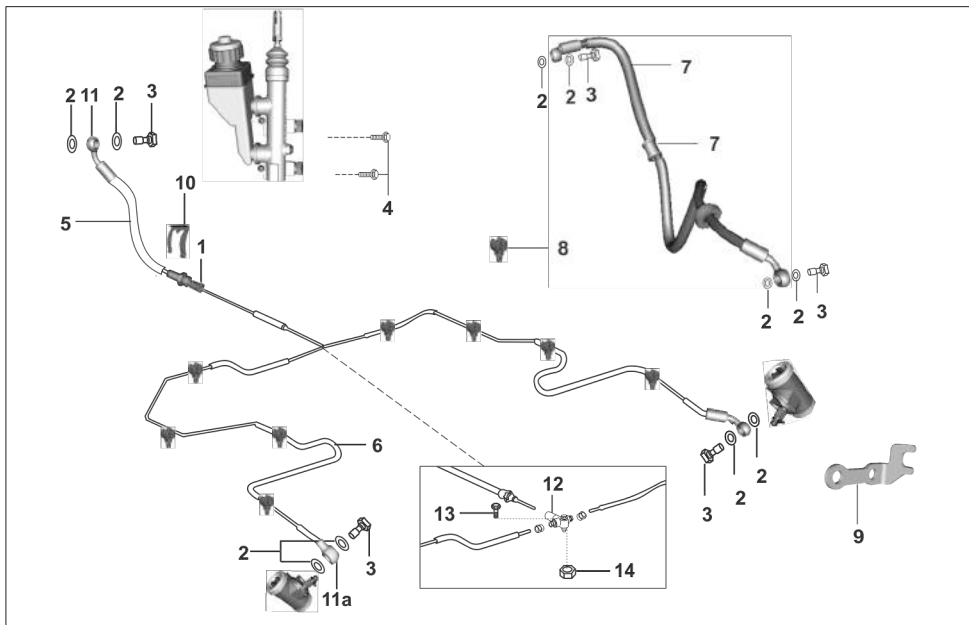


No.	Part No.	Description	BA	BH	BB	AL	Remarks
1	52 AB00 98	Front mudguard AB161188	1	--	--	--	SHL
1a	52 2440 40	Front mudguard AA161183	1	--	--	--	
1b	52 BB00 75	Front mudguard BB161099	--	1	1	1	
2	AB 1611 82	Check plate front mudguard	1	--	--	--	
3	39 1069 01	Bolt hexagon head	3	--	--	--	
4	39 0817 15	Flange nut	3	--	--	--	
5	AB 1611 59	Clip	1	--	--	--	SHL
6	39 2424 11	Plain washer	1	--	--	--	
7	LA A000 14	Hexagon bolt	1	--	--	--	
8	39 2375 23	Grommet for mudguard	2	--	--	--	SHL
9	39 0062 04	Hexagon hd screw-m6	1	--	--	--	SHL
10	AB 2010 65	Housing head light	1	--	--	--	SHL
11	AB 1611 83	Check plate assy. H.L.hsg.	1	--	--	--	SHL
12	39 2642 23	Grommet blind	1	--	--	--	
13	39 1353 15	Nyloc nut	2	--	--	--	SHL
14	39 1680 04	Bolt - Flange :- M6	--	2	2	2	
15	39 1211 11	Plain Washer	--	2	2	2	
16	39 1944 04	Bolt - flanged :- small	--	2	2	2	
17	39 0198 11	Plain Washer	--	2	2	2	
18	BF 1850 19	Clip plastic rivet	--	1	1	1	NI
19	DS 1611 25	Cable Guide	--	1	1	1	NI
20	BH 1318 17	Spacer Guide Hose	--	1	1	1	NI
21	24 2301 85	Mudflap	1	--	--	--	
21	BB 2210 15	Mudflap front	--	1	1	1	
22	24 1611 76	Strip for front mudguard flap	1	1	1	1	
23	39 1830 12	Washer spring Mud flap	3	3	3	3	NI
24	39 0291 15	Hexagon nut-M5 mud flap	3	3	3	3	NI

BA - COMPACT
BH - COMPACT+
BB - MAXIMA
AL - CARGO

PLATE NO. 40 : BRAKE PIPE

RE COMPACT,COMPACT+
MAXIMA,CARGO DIESEL

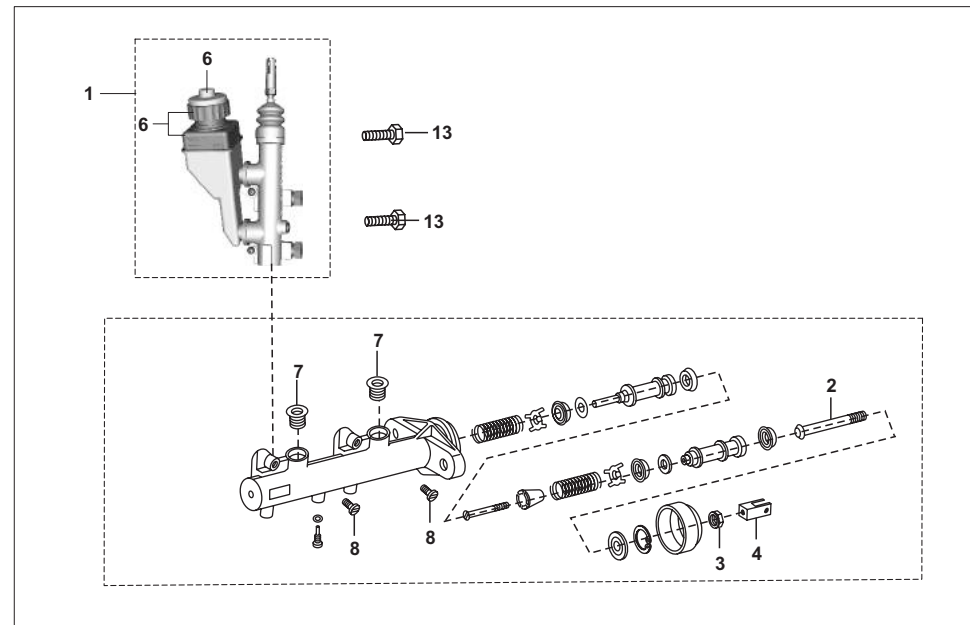


No.	Part No.	Description	BA	BH	BB	AL	Remarks
1	AB 1510 50	Connector Brake Pipe (m10x1)	1	1	1	-	
1	BF 1320 13	Connector Brake Pipe (m10x1)	--	--	-	1	
2	21 1504 22	Packing - Copper Washer	8	8	8	8	
3	AB 1510 49	Bolt - M10 X 1 :- Banjo, Brake	2	2	2	2	
4	KA DD10 30	Bolt-flange-tmc mounting	2	2	2	2	
5	24 1512 34	Hose Rear Circuit-1	1	1	-	-	
5	BB 1510 24	Hose Rear Circuit-1	-	-	1	-	
5	BB 1510 73	Hose Rear Circuit-1	-	-	-	1	
6	24 1512 21	Assembly Brk Pipe Rr.-2	1	-	-	--	
6	BH 1318 02	Assembly Brk Pipe Rr.-2	--	1	-	--	
6	BB 1510 25	Assembly Brk Pipe Rr.-2	--	--	1	-	
6	AI 1512 20	Assembly Brk Pipe Rr.-2	-	--	--	1	
7	AA 1510 39	Hose Brake FR	1	-	-	--	
7	BH 1318 04	Hose Brake FR	--	1	-	--	
7	BB 1510 26	Hose Brake FR	-	-	1	1	
8	BG 1138 04	Clamp brake pipe	6	6	6	6	
9	24 1512 47	Bracket hose guide	1	-	-	--	
10	EC 1318 35	Clip hose	1	1	1	1	
11	AB 1510 53	Banjo union	-	-	2	2	NS
11a	BB 1510 48	Banjo union	-	-	2	-	NS
12	AD 1510 21	Three way connection	-	-	1	--	
13	39 1074 04	Bolt-flange	-	-	1	--	
14	39 0798 15	Nut	-	-	1	--	

BA - COMPACT
BH - COMPACT+
BB - MAXIMA
AL - CARGO

PLATE NO.41 : TANDEM MASTER CYLINDER

RE COMPACT,COMPACT+
MAXIMA,CARGO DIESEL

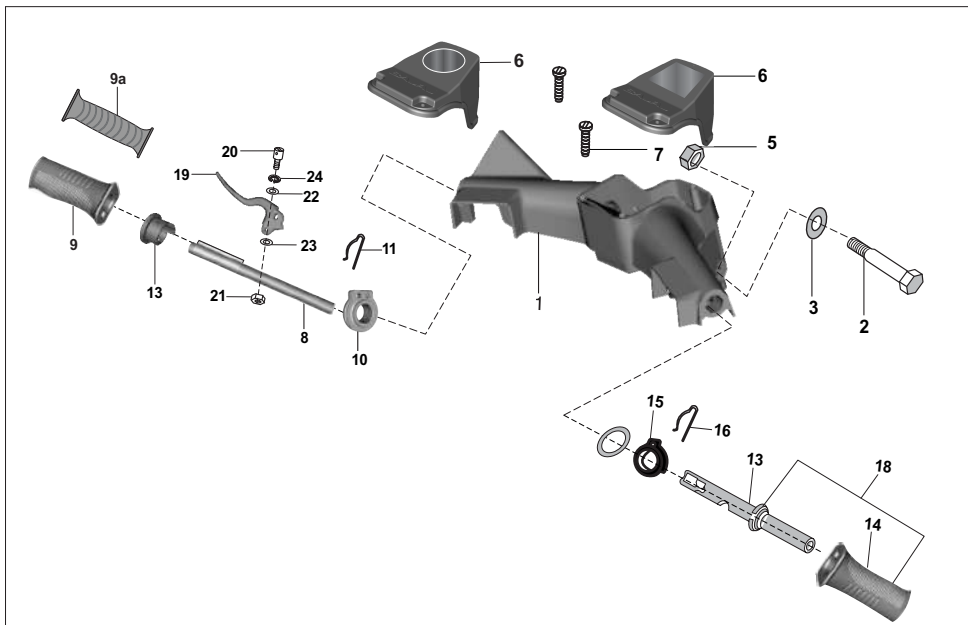


No.	Part No.	Description	BA	BH	BB	AL	Remarks
1	24 1512 75	Tandem Master Cylinder comp	1	1	-	1	tmc
1	BB 1510 40	Tandem Master Cylinder comp	-	-	1	--	tmc
2	24 1510 87	Push rod complete	1	1	1	1	
3	24 1510 94	Hex. nut	1	1	1	1	
4	24 1510 90	Fork rod push	1	1	1	1	
6	AB 1510 72	Cap - oil reservoir	1	1	1	1	
7	24 1510 92	Seal-oil supply port	2	2	2	2	
8	24 1510 93	Screw reservoir mtg.	2	2	2	2	
9	24 1510 97	Major kit	1	1	1	1	N.I.
10	24 1510 98	Minor Kit	1	1	1	1	N.I.
11	39 1389 04	Hex bolt TMC mounting	2	2	2	2	
12	KA DD10 30	Bolt-flange-tmc mounting	2	2	2	2	
13	AB 1510 54	Oil reservoir	1	1	1	1	

BA - COMPACT
BH - COMPACT+
BB - MAXIMA
AL - CARGO

PLATE NO. 44 : HANDLE BAR ASSEMBLY

RE COMPACT,COMPACT+
MAXIMA,CARGO DIESEL

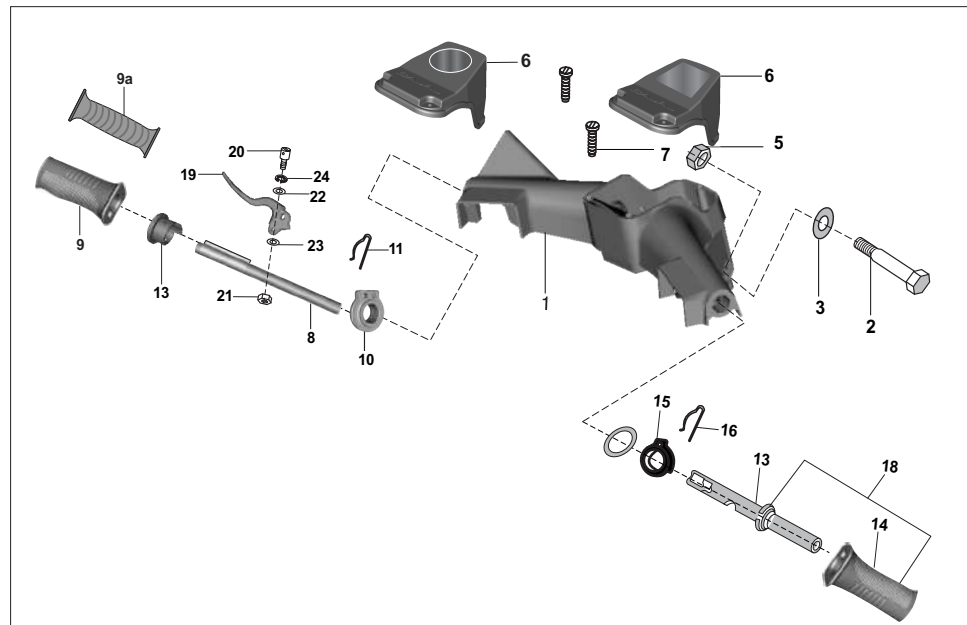


No.	Part No.	Description	BA	BH	BB	AL	Remarks
1	AP 1610 48	Handle bar body	1	1	1	--	
1	24 1512 74	Handle bar body	1	1	1	1	FR.4.03.2015
2	39 1377 04	Hex. bolt with collar	1	1	1	1	
3	39 0201 11	Plain washer	2	2	2	2	
5	39 0296 15	Hex nut	1	1	1	1	
6	AP 1810 09	Handle bar top cover	1	--	--	--	SHL
6a	AP 1610 47	Handle bar top cover	1	1	1	1	
7	KB UC04 10	Screw Truss M4 X 0.7P	3	3	3	3	
8	BB 1910 25	Assly gear ctrl tube with grip	1	1	1	1	
8	BA 1810 21	Assly Gear Cntl Tube -HC	1	1	1	1	Hand Clutch
9	BA 1910 80	Grip hand gear control	1	1	1	1	
9a	06 1910 89	Grip Hand gear control -HC	1	1	1	1	Hand Clutch
10	24 1911 84	Gear control pulley	1	1	1	1	
11	24 1911 85	Spring clip	1	1	1	1	
11	LH C000 01	Spring clip	1	1	1	1	
12	BH 1610 04	Indicator ring gear handle bar	1	1	1	1	
12	BA 1810 22	Indicator Ring Gear Handle Bar- HC	1	1	1	1	Hand Clutch
13	24 1910 98	Assly gas ctrl tube with grip	1	1	1	1	
14	06 1910 89	Hand grip acc	1	1	1	1	
15	24 1911 01	Pulley gas control	1	1	1	1	
16	CM 1910 49	Spring clip	1	1	1	1	
17	30 1210 04	Ring snap	1	1	1	1	

BA - COMPACT
BH - COMPACT+
BB - MAXIMA
AL - CARGO

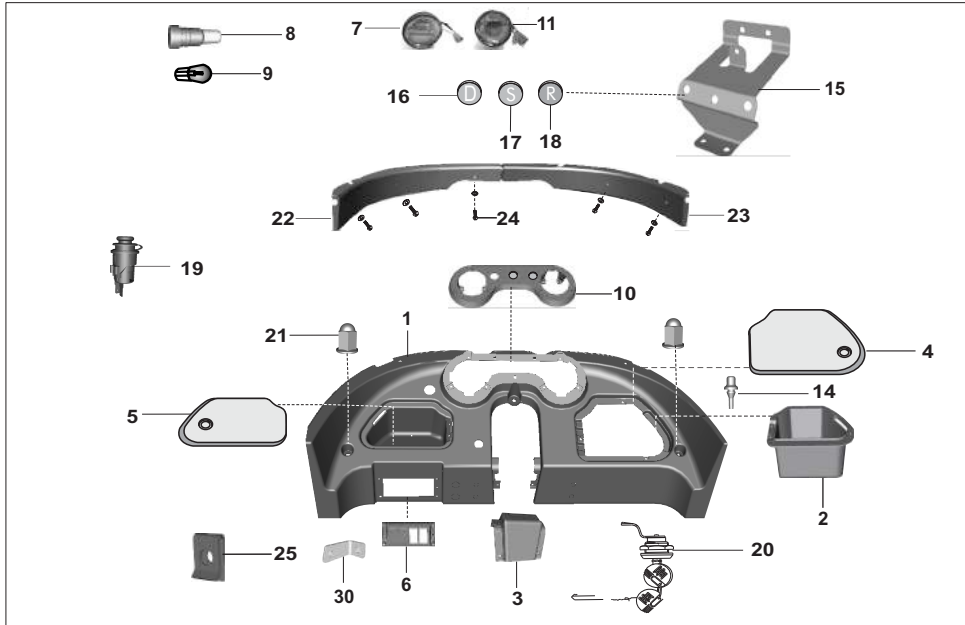
PLATE NO. 44: HANDLE BAR ASSEMBLY

RE COMPACT,COMPACT+
MAXIMA,CARGO DIESEL



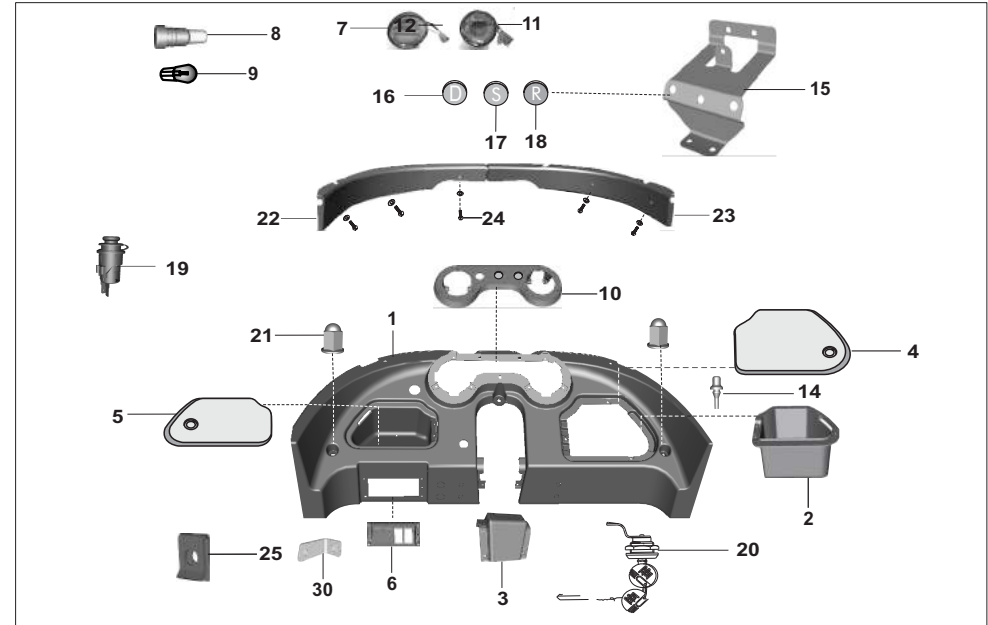
No.	Part No.	Description	BA	BH	BB	AL	Remarks
18	24 1911 87	Assembly gas ctrl tube with grip	1	1	1	1	
19	AA 1910 32	Lever clutch	1	1	1	1	
20	24 1911 05	Screw sp crs recessed	1	1	1	1	
21	39 0326 15	Nut nyloc m5x0.8	1	1	1	1	
22	03 1902 04	Washer plain	1	1	1	1	
23	03 1902 06	Washer plain	1	1	1	1	
24	01 1902 05	Washer spring	1	1	1	1	
25	24 2208 04	Bolt flanged M5X10	1	1	1	1	

BA - COMPACT
BH - COMPACT+
BB - MAXIMA
AL - CARGO



No.	Part No.	Description	BA	BH	BB	AL	Remarks
1	AA 1612 15	Dashboard Plastic	1	1	-	-	
2	24 1613 68	Toolbox right side (plastic)	1	1	-	-	
3	24 1613 71	Cover middle portion (plastic)	1	1	-	-	
4	AL 1615 03	Toolbox lid right side (plastic)	1	1	-	-	
5	AL 1615 02	Toolbox lid left side (plastic)	1	1	-	-	
6	24 1613 73	Cover for switches	1	1	-	-	
6	24 1614 92	Cover For Switches 3 slot-HC	1	1	-	-	
7	BA 2011 86	Speedometer with lamp RE445	1	-	-	-	Fr-18.02.15
7	AZ 4024 03	Speedometer assly of o.85 ratio	-	1	-	-	Fr-14.04.15
7	AZ 4024 02	Speedometer complete with lamp	-	1	-	-	Fr.15.06.14
7	AP 1910 01	Speedometer complete with lamp	1	-	-	-	
7	BH 4010 10	Speedometer complete with lamp	-	1	-	-	
8	CM 2010 54	Lamp :- 12v - 2w, without cap	6	6	-	-	
8	AA 2013 41	Lamp :- 12v - 1.7w, without cap	5	5	-	-	
9	DL 1910 20	Lamp :- 12v - 3w, without cap	1	1	-	-	
10	BH 1812 03	Cover speedometer	1	1	-	-	
11	BH 4026 01	Assy indicator rh pod max dsl	1	1	-	-	
11	BA 2011 88	Assy indicator rh pod	1	1	-	-	
12	BH 4026 02	Harness wiring for ind rh pod	1	1	-	-	NI
13	39 2454 01	Screw - hexagon head :- m5	12	12	-	-	NI
14	24 2301 98	Pad - Rubber	2	2	-	-	
15	AA 1612 25	Bracket control mounting	1	1	-	-	

BA - COMPACT
BH - COMPACT+
BB - MAXIMA
AL - CARGO

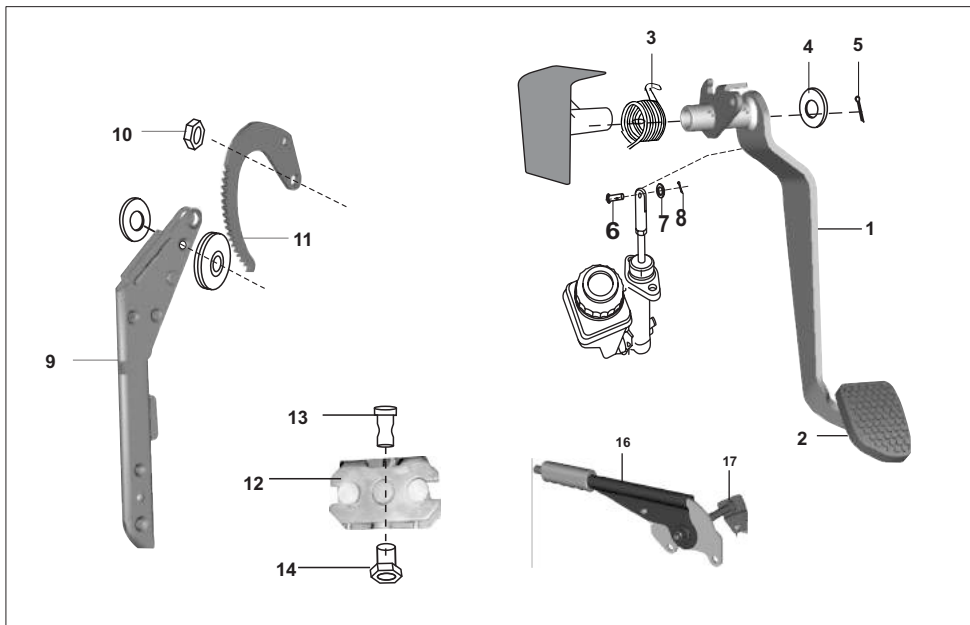


No.	Part No.	Description	BA	BH	BB	AL	Remarks
16	AL 1910 39	Knob-cable decomp. Fix end	1	1	-	-	
17	BH 1612 26	Knob - stop cable	1	1	-	-	
18	BH 1612 25	Knob reverse	1	1	-	-	
19	AL 2011 00	Mobile charger	1	1	-	-	
20	AL 1613 62	Lid lock with key	1	1	-	-	
21	39 1704 15	Domed cap nut m6- dashboard	2	2	-	-	
22	AA 1612 18	Trim upper small LH	1	1	-	-	
23	AA 1612 19	Trim upper small RH	1	1	-	-	
24	KB BA05 25	Screw pan cross m5x28	5	5	-	-	
25	CE 1810 15	Nut clip	15	15	-	-	
26	59 0100 07	Screw cross countersunk	6	6	-	-	
27	39 1523 01	Screw pan cross m5	4	4	-	-	
28	39 0211 11	Washer plain	3	3	-	-	
29	BA 2011 73	Ignition switch w/o starter	1	1	-	-	
30	Aa 1612 90	Bracket Harness Clamp	1	1	-	-	
31	KD Bb05 12	plain washer -trim	5	5	-	-	NI

BA - COMPACT
BH - COMPACT+
BB - MAXIMA
AL - CARGO

PLATE NO. 42: BRAKE PEDAL

RE COMPACT,COMPACT+
MAXIMA,CARGO DIESEL

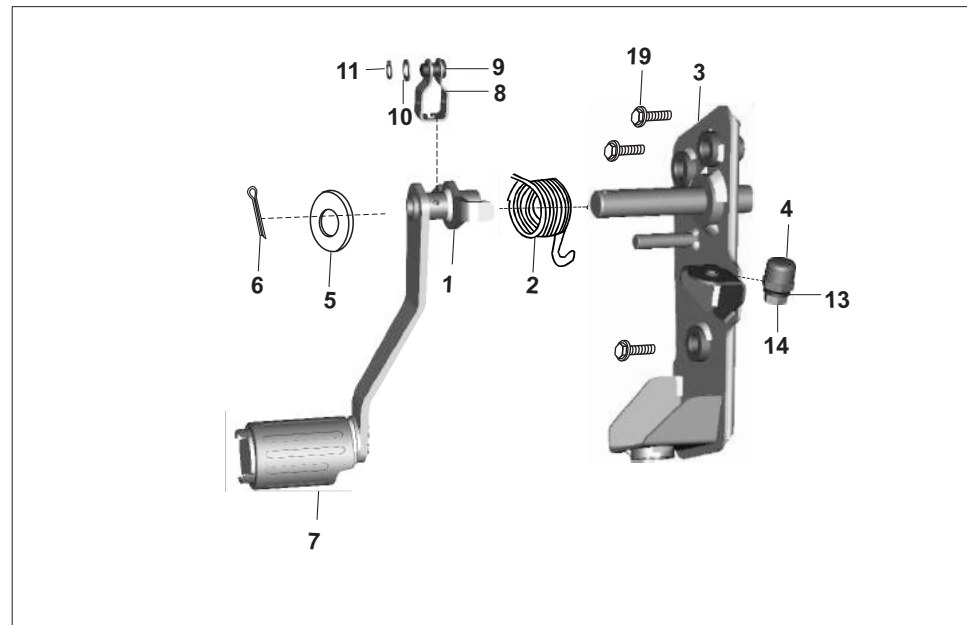


No.	Part No.	Description	BA	BH	BB	AL	Remarks
1	24 1512 56	Assembly brake pedal with pad	1	1	-	-	
1	BB 1510 39	Assembly brake pedal with pad	-	-	1	-	
1	BH 1610 17	Assembly brake pedal with pad	-	-	-	1	
2	24 1512 32	Pad brake pedal	1	1	1	1	
3	24 1512 55	Spring brake pedal retainer	1	1	-	-	
3	Ab 1510 14	Spring brake pedal retainer	-	-	1	-	
3	BH 1610 27	Spring brake pedal	-	-	-	1	
4	39 0208 11	Plain washer	2	2	2	2	
5	39 0147 08	Split pin	1	1	1	1	
6	39 1702 07	Clevis pin with head	1	1	-	-	
7	39 0199 11	Plain washer	1	1	1	1	
8	39 0146 08	Split pin	1	1	1	1	
9	24 1510 61	Hand brake lever assembly	1	1	-	-	
10	39 0694 15	Nut - hexagon lock M8 X 1.25	3	3	3	3	
11	22 1505 07	Ratchet	1	1	-	-	
12	24 1510 67	Bracket - rear cable guide	1	1	-	-	
13	24 1510 68	Pin - rear cable guide	1	1	-	-	
14	24 1512 38	Special nut - hand brake	1	1	-	-	
15	KE CA70 08	Circlip type E	-	2	-	-	
16	BB 1510 01	Hand brake lever assly	-	-	1	1	
17	AL 1511 38	Plate assembly - hand brake	-	-	1	1	
18	LA D001 36	Bolt flanged-m12	-	-	-	1	
19	KC Gd10 10	Nut hex flanged	-	-	-	1	

BA - COMPACT
BH - COMPACT+
BB - MAXIMA
AL - CARGO

PLATE NO. 43: CLUTCH PEDAL

RE COMPACT,COMPACT+
MAXIMA,CARGO DIESEL

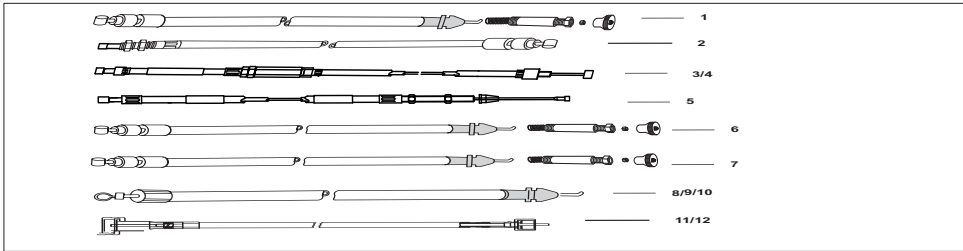


No.	Part No.	Description	BA	BH	BB	AL	Remarks
1	BB 1910 29	Assly clutch pedal with damper	1	1	1	--	
2	BH 1610 07	Spring - return :- clutch pedal	1	1	1	--	
3	BH 1610 09	Bracket clutch pedal mtg	1	1	1	--	
4	DH 1611 94	Kick stopper	1	1	1	--	
5	39 0208 11	Plain washer	1	1	1	--	
6	39 0147 08	Split pin	2	2	2	--	
7	BH 1610 10	Damper	1	1	1	--	
8	BH 1610 11	Clutch cable holder	1	1	1	--	
8	BH 1610 14	Clutch cable holder	1	1	1	--	FR.18.05.2014
9	BH 1610 12	Pin cable holder	1	1	1	--	
9	BH 1610 21	Pin cable holder	1	1	1	--	FR 18.05.2014
10	LD A000 02	Washer plain small	1	1	1	--	
11	KE AA10 10	Circlip external	1	1	1	--	
12	KH Aa20 20	Q PIN	1	1	1	--	FR.18.05.2014
13	KD DA08 15	Washer spring thin	1	1	1	--	
14	KA AA08 12	Bolt	1	1	1	--	
15	KA EB08 30	Bolt-flanged-small	3	3	3	--	
16	BF 1612 83	Clip cable lock	1	1	1	--	

BA - COMPACT
BH - COMPACT+
BB - MAXIMA
AL - CARGO

PLATE NO. 46 : CONTROL CABLES

RE COMPACT,COMPACT⁺
MAXIMA,CARGO DIESEL

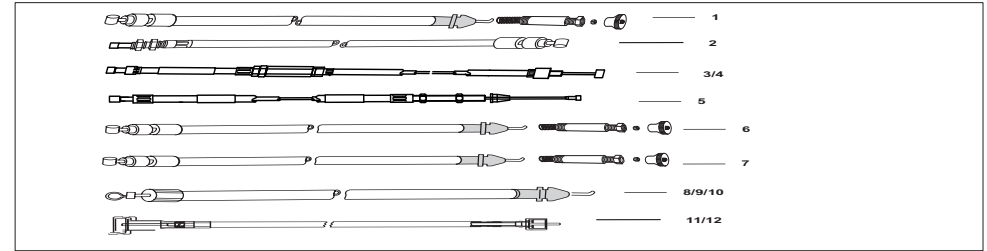


No.	Part No.	Description	BA	BH	BB	AL	Remarks
1	BA 1910 82	Cable Assly Decomp.	1	-	-	-	19.10.13
1	BA 1910 90	Cable Assly Decomp.	1	-	-	-	
1	BH 1612 24	Cable Assly Decomp.	--	1	1	-	
1	AL 1910 65	Cable decomp cargo	-	-	-	1	
2	BA 1910 84	Cable accelerator fixed end	1	-	-	-	
2	BH 1612 29	Cable accelerator fixed end	--	1	-	-	
2	BB 1910 38	Cable accelerator fixed end	-	-	1	-	
2	AL 1910 62	Cable accelerator complete	-	-	-	1	
3	BB 1910 18	Gear cable com. White	1	-	1	-	Hand Clutch
3	BA 1910 94	Gear cable com White HC	1	-	1	--	
3	BH 1612 08	Gear cable com. White	--	1	-	-	
3	BH 1612 17	Gear cable com. White -HC	-	1	-	-	Hand Clutch
3	AL 1910 71	Cable gear white	-	-	-	1	
4	BB 1910 19	Gear cable comp-Black	1	-	1	-	
4	BA 1910 95	Gear cable comp-Black -HC	1	-	1	-	
4	BH 1612 09	Gear cable comp-Black	--	1	-	-	
4	BH 1612 18	Gear cable comp-Black-HC	-	1	-	-	
4	AL 1910 72	Cable gear black	-	-	-	1	
5	BA 1910 83	Clutch cable	1	-	-	-	Hand Clutch
5	BA 1910 92	Clutch cable HC	1	-	-	--	
5	BH 1612 27	Clutch cable	--	1	-	-	
5	BH 1612 11	Clutch cable HC	--	1	-	--	
5	BB 1910 31	Clutch cable	-	-	1	-	
5	BB 1910 51	Clutch cable HC	-	-	1	--	
5	AL 1910 70	Cable hand clutch	-	-	-	1	
6	BH 1612 23	Stop cable	1	1	1	-	
7	BA 1910 77	Reverse cable	1	-	-	-	Hand Clutch
7	BA 1910 93	Reverse cable HC	1	-	-	--	
7	BH 1612 22	Reverse cable	--	1	1	-	
7	BH 1612 16	Reverse cable HC	--	1	1	--	
7	AL 1910 60	Cable reverse complete	-	-	-	1	
8	BG 1318 02	Cable assly - hand brake FR	1	1	-	-	

BA - COMPACT
BH - COMPACT⁺
BB - MAXIMA
AL - CARGO

PLATE NO. 46 : CONTROL CABLES

RE COMPACT,COMPACT⁺
MAXIMA,CARGO DIESEL

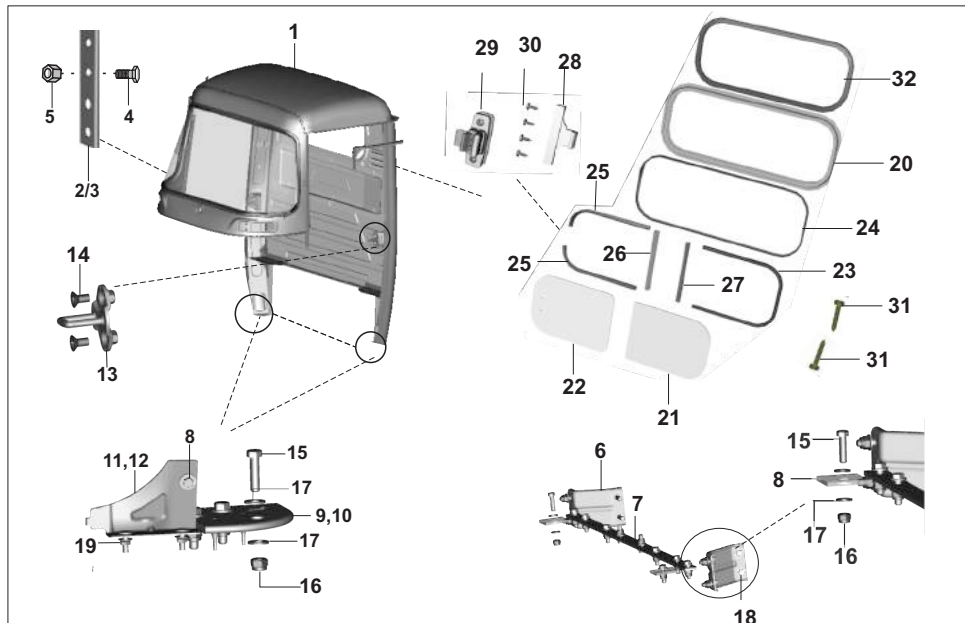


No.	Part No.	Description	BA	BH	BB	AL	Remarks
9	AA 1510 53	Cable assly H. brake Rear LH	1	-	-	-	Hand Clutch
9	24 1510 59	Cable assly H. brake Rear LH	1	-	-	-	
9	BH 1612 14	Cable assly H. brake Rear LH	--	1	-	-	
9	AN 1510 03	Cable assly H. brake Rear LH	-	-	1	-	
9	AL 1512 22	Cable hand brake lh cargo	-	-	-	1	
10	AA 1510 52	Cable asly H. brake rear RH	1	-	-	-	Hand Clutch
10	24 1510 60	Cable asly H. brake rear RH	1	-	-	-	
10	BH 1612 15	Cable asly H. brake rear RH	--	1	-	-	
10	AN 1510 04	Cable assly H. brake rear RH	-	-	1	-	
10	AL 1512 23	Cable hand brake rh cargo	-	-	-	1	
11	24 1911 78	Speedo cable	1	-	-	--	SHL
11	BA 1910 85	Speedo cable	1	-	-	-	
11	BH 1612 02	Speedo cable	--	1	-	-	
11	AZ 1612 15	Speedo cable	-	-	1	-	
11	AL 1910 64	Speedo cable	-	-	-	1	
12	24 1911 79	Cable inner speedometer	1	-	-	--	SHL
12	BA 1910 86	Cable Inner speedometer	1	-	-	-	
12	BH 1612 03	Cable inner speedometer	--	1	-	-	
12	AL 1910 20	Cable inner speedometer	-	-	1	-	
12	AL 1910 69	Cable inner speedometer	-	-	--	1	
13	24 1911 80	Sleeve for cables	1	1	1	1	N.I.
13	BA 1910 40	Sleeve For Decomp Cables	1	1	1	1	N.I.
14	AA 2510 01	Cable complete faremeter	1	-	-	-	
15	AA 2510 03	Cable inner faremeter	1	-	-	-	
17	AA 1017 47	Seal rubber-faremeter	1	1	1	1	
18	24 1911 20	Guide for cable	1	-	1	1	
19	39 0794 15	Hexagon nut-m10x1.25	1	-	1	1	
20	BA 1320 19	Pin clutch lever	1	1	1	1	NI
21	BA 1910 32	Spring clutch adjusting	1	1	1	1	NI
22	BA 1910 31	Nut sp clutch adjusting	1	1	1	1	NI

BA - COMPACT
BH - COMPACT⁺
BB - MAXIMA
AL - CARGO

PLATE NO. 47 : CABIN ASSEMBLY(CARGO)

RE COMPACT,COMPACT+
MAXIMA,CARGO DIESEL

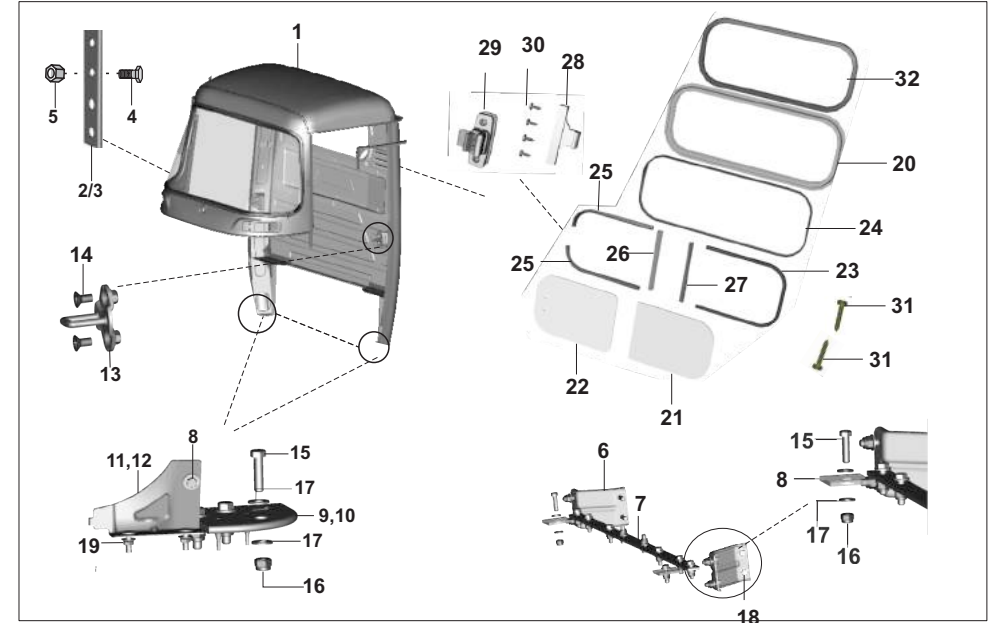


No.	Part No.	Description	BA	BH	BB	AL	Remarks
1	AL 2414 19	Assembly cabin top	--	--	--	1	ED- 52 AL00XX
2	AL 2414 45	Joint plate LH	--	--	--	1	
3	AL 2414 46	Joint plate RH	--	--	--	1	
4	KA Aa05 18	Bolt	--	--	--	4	
5	KCHA0507	Nyloc nut	--	--	--	4	
6	AL 1616 61	Panel connecting	--	--	--	2	
7	AL 2415 78	Packing upper cabin	--	--	--	1	
8	AL 2416 97	Packing cabin	--	--	--	2	
9	AL 2415 77	Rubber packing LH	--	--	--	1	
10	AL 2416 79	Rubber packing RH	--	--	--	1	
11	AL 1617 05	Extension panel sill outer LH	--	--	--	1	
12	AL 1617 06	Extension panel sill outer RH	--	--	--	1	
13	AL 2413 44	Latch striker door	--	--	--	2	
14	KB CA08 16	Screw csk - cross	--	--	--	4	
15	KA AA08 30	Bolt	--	--	--	16	
16	KC HA08 09	Nut nyloc	--	--	--	20	
17	KD BB08 18	Washer plain	--	--	--	44	
18	KA AA08 25	Bolt	--	--	--	8	
19	39 2484 15	Flange nut	--	--	--	4	
20	AL 2417 85	Frame back window	--	--	--	1	
21	AL 2417 86	Glass fixed back window	--	--	--	1	
22	AL 2417 87	Glass sliding back window	--	--	--	1	

BA - COMPACT
BH - COMPACT+
BB - MAXIMA
AL - CARGO

PLATE NO. 47 : CABIN ASSEMBLY(CARGO)

RE COMPACT,COMPACT+
MAXIMA,CARGO DIESEL

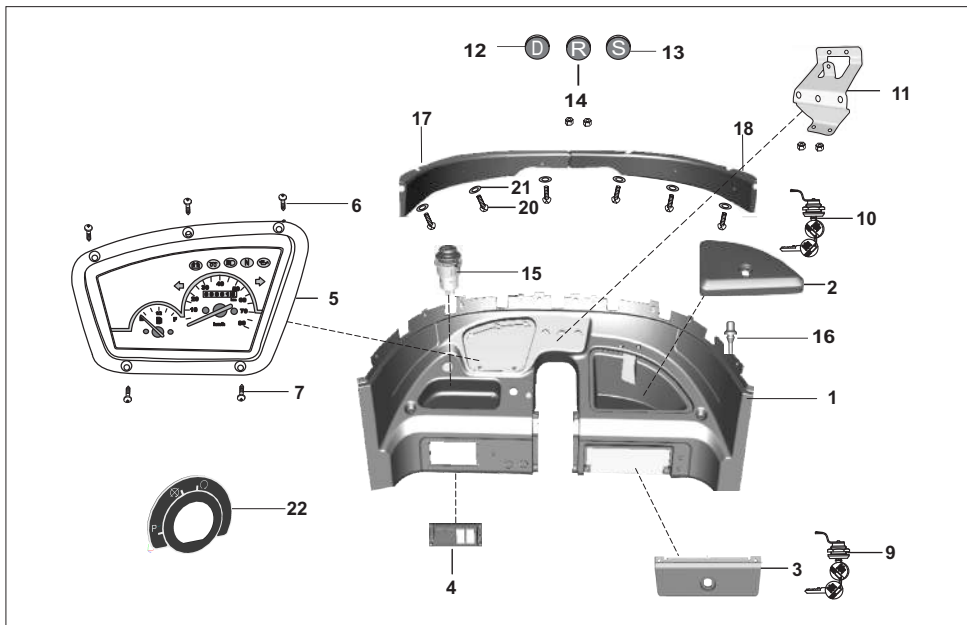


No.	Part No.	Description	BA	BH	BB	AL	Remarks
23	AL 2417 88	Beading fixed glass back	-	-	-	1	
24	AL 2417 89	Beading sliding glass back	-	-	-	1	
25	AL 2417 90	Beading frame back window	-	-	-	2	
26	AL 2417 91	Channel dividing back window	-	-	-	1	
27	AL 2417 92	Beading channel back window	-	-	-	1	
28	AL 2417 93	Window catch plate latch	-	-	-	1	
29	AL 2417 94	Assembly latch back window	-	-	-	1	
30	KB RA35 10	Screw tapping pan cross	-	-	-	4	
31	KB RA35 22	Screw tapping pan cross	-	-	-	4	
32	AL 2417 96	Beading fixed glass	-	-	-	2	

BA - COMPACT
BH - COMPACT+
BB - MAXIMA
AL - CARGO

PLATE NO. 45a : DASHBOARD - MAXIMA

RE COMPACT,COMPACT+
MAXIMA,CARGO DIESEL

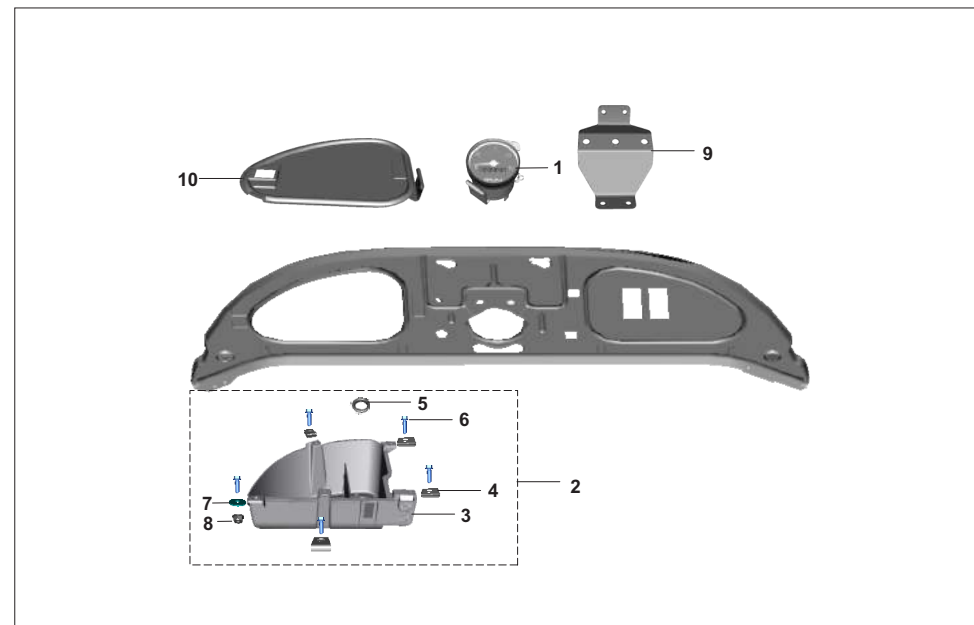


No.	Part No.	Description	BA	BH	BB	AL	Remarks
0	BB 1611 24	Assembly dashboard complete fl	-	-	1	1	
1	BB 1611 23	Dashboard plastic	-	-	1	1	
2	AL 1613 82	Lid glove box	-	-	1	1	
3	AL 1613 90	Assembly lid stereo	-	-	1	1	
4	AL 1613 79	Cover for switches	-	-	1	-	
4	AN 1610 86	Cover switch with 3 slots	-	-	1	1	Hand Clutch
5	BB 2010 50	Cluster instrument	-	-	1	1	
6	AL 1910 28	Screw M4	-	-	3	3	
7	39 1861 01	Screw crs res csk m4	-	-	2	2	
8	36 A100 15	Glove box lock with key kit	-	-	1	1	Al161171
9	36 A100 16	Stero box lock with key kit	-	-	1	1	Al161172
10	36 BA40 13	Ignition switch w/o starter -kit	-	-	1	1	BA201173
11	BB 1611 30	Bracket knob mounting	-	-	1	1	
12	AL 1910 39	Knob-D	-	-	1	1	
13	BH 1612 26	Knob S	-	-	1	1	
14	BH 1612 25	Knob R	-	-	1	1	
15	AL 2011 00	Mobile charger	-	-	1	1	
16	24 2301 98	Pad - rubber	-	-	2	2	
17	BB 1611 01	Trim upper large RH	-	-	1	1	
18	BB 1611 00	Trim upper large LH	-	-	1	1	
19	35 1610 60	Nut clip	-	-	10	10	
20	39 1524 01	Screw pan cross m5x28	-	-	6	6	
21	39 1839 11	Washer plain	-	-	12	12	
22	AL 2010 78	Label parking off on	1	1	1	1	
23	30 2010 84	Lamp 12V 2W	-	-	9	9	

BA - COMPACT
BH - COMPACT+
BB - MAXIMA
AL - CARGO

PLATE NO. 45b DASHBOARD - COMPACT(SHL)

RE COMPACT,COMPACT+
MAXIMA,CARGO DIESEL

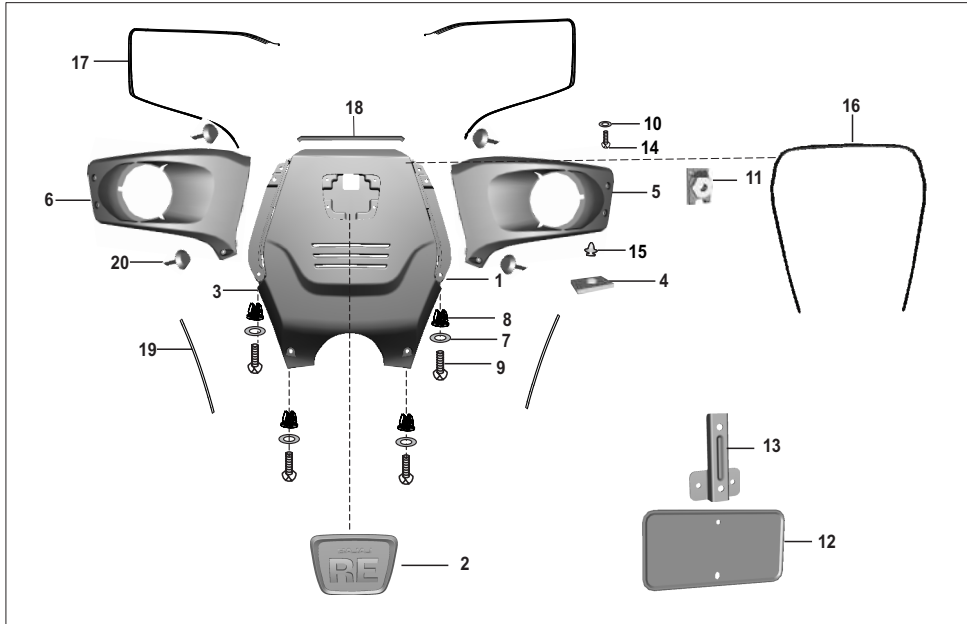


No.	Part No.	Description	BA	BH	BB	AL	Remarks
1	24 1911 08	Speedometer complete with lamp	1	-	-	--	SHL
2	24 1615 05	Assembly toolbox	1	-	-	--	SHL
3	24 1653 03	Tool box	1	-	-	--	SHL
4	05 1612 56	Clip nut-m6	4	-	-	--	SHL
5	39 2374 23	Grommet for upper part	1	-	-	--	SHL
6	LA E000 06	Bolt flanged small	5	-	-	--	SHL
7	39 1211 11	Plain washer	1	-	-	--	SHL
8	39 0798 15	Nut hexagon with flange m6	1	-	-	--	SHL
9	24 1652 18	Knob mounting bkt	1	-	-	--	SHL
10	22 1608 05	Tool box door assly	1	-	-	--	52210043 SHL
11	36 2240 05	Lock tool box with key	1	--	-	--	22161202 SHL

BA - COMPACT
BH - COMPACT+
BB - MAXIMA
AL - CARGO

PLATE NO. 48 : STEERING & HEAD LAMP COVER

RE COMPACT,COMPACT+
MAXIMA,CARGO DIESEL

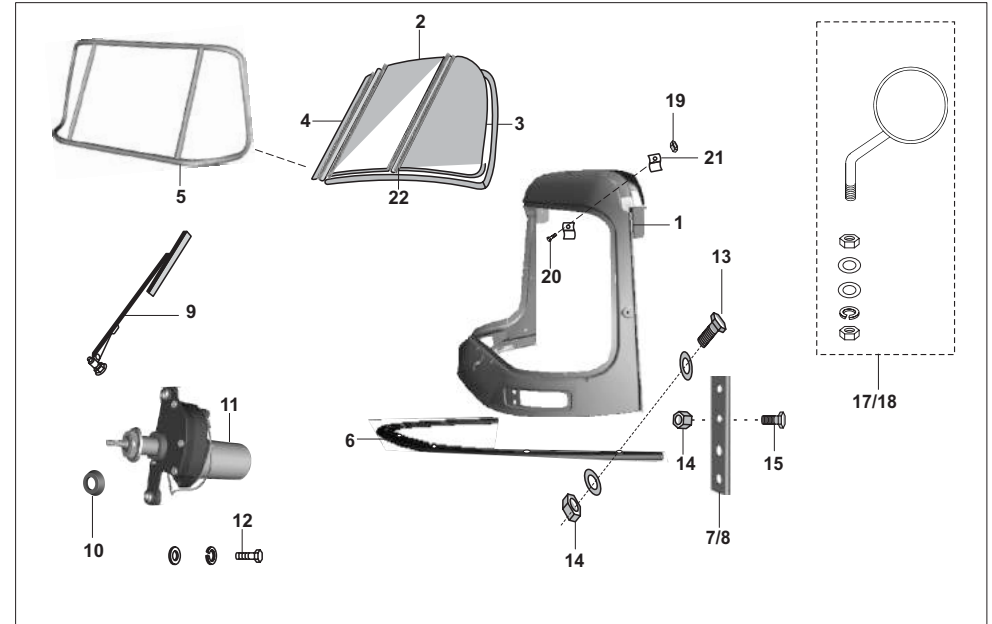


No.	Part No.	Description	BA	BH	BB	AL	Remarks
1	24 1652 34	Assembly steering cover	1	-	-	--	SHL
1	24 1651 16	Assembly steering cover	1	1	1	1	
2	BG 2330 02	Emblem bajaj re for scudo	1	1	1	1	
3	24 1651 16	Steering cover	1	1	1	1	
4	24 1652 14	Grommet Steering Cover	1	1	1	1	
5	AA 1611 90	Housing headlamp LH	1	1	-	--	
6	AA 1611 91	Housing headlamp RH	1	1	-	--	
5	BB 1610 96	Housing headlamp LH	-	-	1	1	
6	BB 1610 97	Housing headlamp RH	-	-	1	1	
7	39 0454 11	Washer - Plain	10	10	10	10	
8	AL 1612 36	Plug For blinker housing	10	10	10	10	
9	59 0100 05	Screw round head	10	10	10	10	
10	39 0454 11	Washer - plain	1	1	1	1	
11	DJ 1612 29	Clip nut m5	2	-	-	--	SHL
12	22 1612 21	Plate -number	1	1	1	1	
13	24 1651 32	Bracket FR number plate mtg	1	1	1	1	
14	39 1907 01	Mushroom head screw	--	2	2	2	
15	24 1652 55	Clip Plastic	1	-	-	--	SHL
16	24 1653 02	Beading steering cover	1	-	-	--	SHL
17	AA 1612 68	Beading housing h.l.	2	2	2	2	
18	AA 1612 69	Beading st.cover upper	1	1	1	1	
19	AA 1612 70	Beading st. Cover lower	2	2	2	2	
20	BH 1110 88	Grommet shield headlamp bkt	4	4	4	4	

BA - COMPACT
BH - COMPACT+
BB - MAXIMA
AL - CARGO

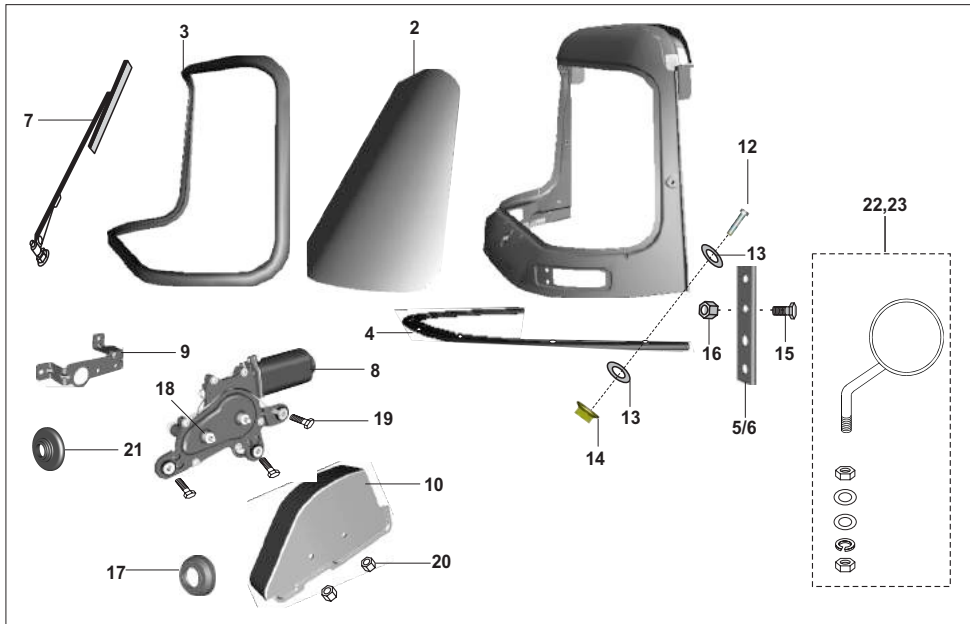
PLATE NO. 49 : WINDSHIELD & WIPER MOTOR

RE COMPACT,COMPACT+
MAXIMA,CARGO DIESEL



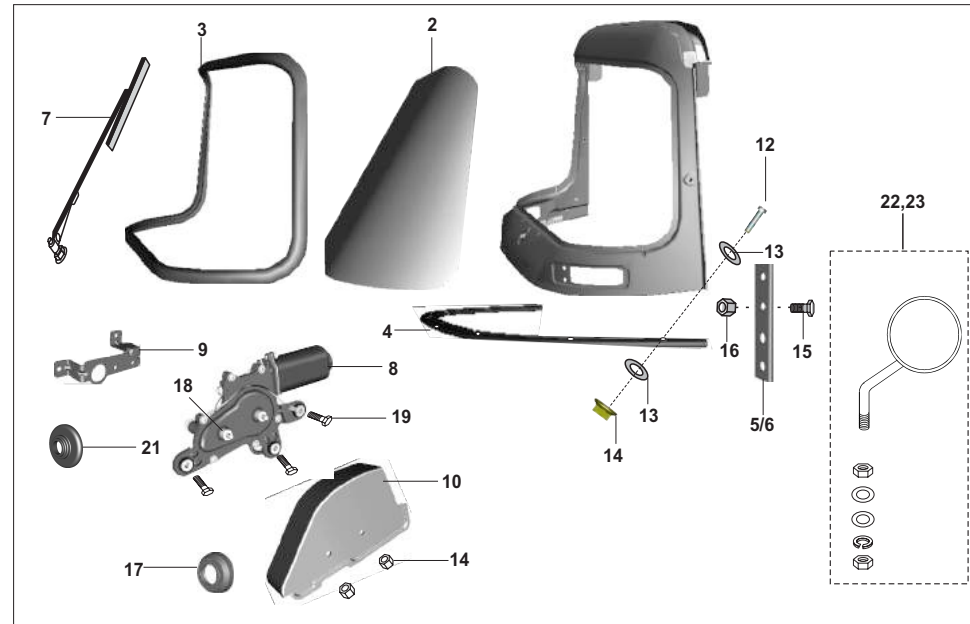
No.	Part No.	Description	BA	BH	BB	AL	Remarks
1	52 2406 45	Windshield Assly 24231593	1	-	-	-	SHL
2	24 2317 80	Central glass	1	-	-	-	SHL
3	24 2317 78	Side glass LH	1	-	-	-	SHL
4	24 2317 79	Side glass RH	1	-	-	--	SHL
5	24 2316 61	Rubber beading	1	-	-	-	SHL
6	24 2316 41	Packing for shield & windshield	1	-	-	-	SHL
7	24 2316 15	Joint plate LH	1	-	-	-	SHL
8	24 2316 16	Joint plate RH	1	-	-	-	SHL
9	22 2306 35	Wiper assly	1	-	-	-	SHL
10	24 2015 24	Grommet wiper motor small	1	-	-	-	SHL
11	24 2015 26	Wiper motor small	1	-	-	--	SHL
12	KA DA06 20	Bolt-flange wiper motor	3	-	-	-	SHL
13	39 0085 04	Bolt shield mounting	9	-	-	-	SHL
14	39 2484 15	Flange nut	9	-	-	-	SHL
15	KA AA05 16	Bolt hex head	8	-	-	-	SHL
16	AA 2210 06	Mirror assly RH	1	-	-	-	SHL
17	AA 2210 05	Mirror assly LH	1	-	-	-	SHL
18	39 0326 15	Nut nyloc m5x0.8	8	-	-	--	SHL NI
19	39 0287 15	Nut hexagon m4x0.7	8	-	-	-	SHL
20	39 0038 01	Screw round head m4	8	-	-	-	SHL
21	22 2312 81	Plate ii for windshield glass	8	-	-	-	SHL
22	24 2316 62	Support windshield glass FL	4	-	-	-	SHL

BA - COMPACT
BH - COMPACT+
BB - MAXIMA
AL - CARGO



No.	Part No.	Description	BA	BH	BB	AL	Remarks
1	52 2406 45	Wind shield assly 24231593	1	1	1	-	
2	BH 1840 00	Glass green windshield one piece	1	1	1	1	
3	AA 2312 42	Beading one piece W/s glass	1	1	1	1	
4	24 2316 41	Packing shield and w shield	1	1	1	1	
5	24 2316 15	Joint plate LH	1	1	1	--	
5	AL 2414 45	Joint plate LH	--	--	--	1	
6	24 2316 16	Joint plate RH	1	1	1	--	
6	AL 2414 46	Joint plate RH	--	--	--	1	
7	AL 2410 23	Wiper assly	1	1	1	1	
8	AA 2012 63	Wiper Motor	1	1	1	1	
9	24 2316 25	Bracket wiper motor mounting	1	1	1	1	
10	AA 2312 23	cover wiper motor black	1	1	1	1	
12	KA AA05 25	Bolt	11	11	11	11	
13	39 0258 11	Plain washer	32	32	32	32	
14	39 2484 15	Flange nut	11	11	11	11	
15	39 0071 04	Bolt hex head	4	4	4	--	
15	KA AA05 18	Bolt	--	--	--	4	
16	39 2484 15	Flanged nut	4	4	4	--	
16	KC HA05 07	Nut nyloc	--	--	--	4	
17	BH 1110 71	Cap for wiper motor	1	1	1	1	
18	KA DA05 12	Bolt flanged	2	2	2	2	
19	KA DA06 20	Bolt-flange-kad st-a dia-06 l-20	3	3	3	3	

BA - COMPACT
BH - COMPACT+
BB - MAXIMA
AL - CARGO

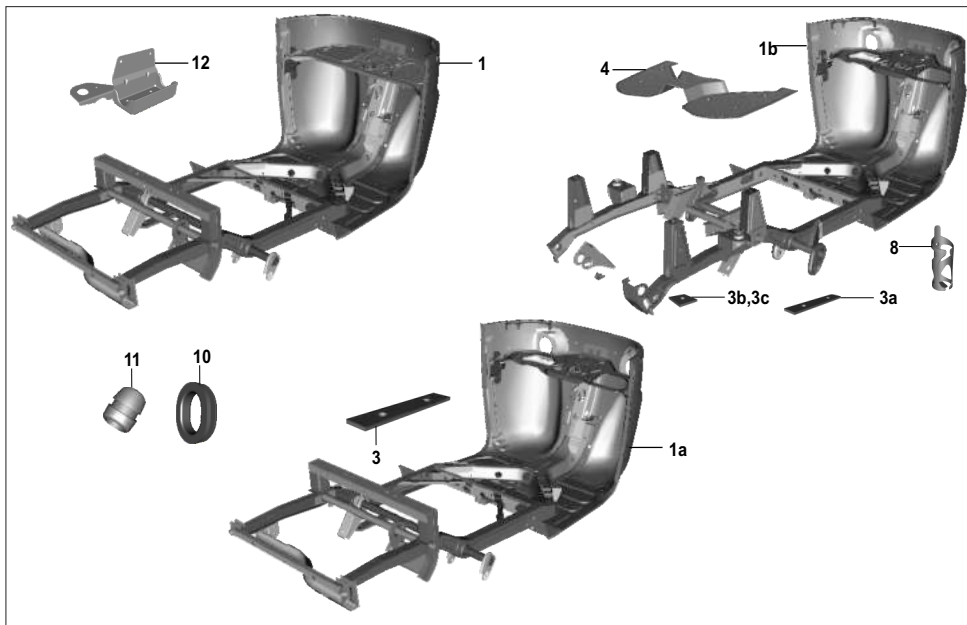


No.	Part No.	Description	BA	BH	BB	AL	Remarks
20	24 2314 75	nut dome-M5-cov.wiper motor	2	2	2	2	
21	24 2015 25	Grommet wiper motor big	1	1	1	1	
22	BB 2210 17	Mirror Assly LH	--	--	1	1	
22	BH 1846 01	Mirror Assly LH	--	1	--	--	
23	BB 2210 18	Mirror Assly RH	--	--	1	1	
23	BH 1846 02	Mirror Assly RH	--	1	--	--	
24	BB 2210 19	Mirror set rear view re maxima	--	--	1	1	NI
25	24 2318 12	Washer rubber mirror	2	2	2	2	

BA - COMPACT
BH - COMPACT+
BB - MAXIMA
AL - CARGO

PLATE NO. 50 : CHASSIS

RE COMPACT,COMPACT+
MAXIMA,CARGO DIESEL

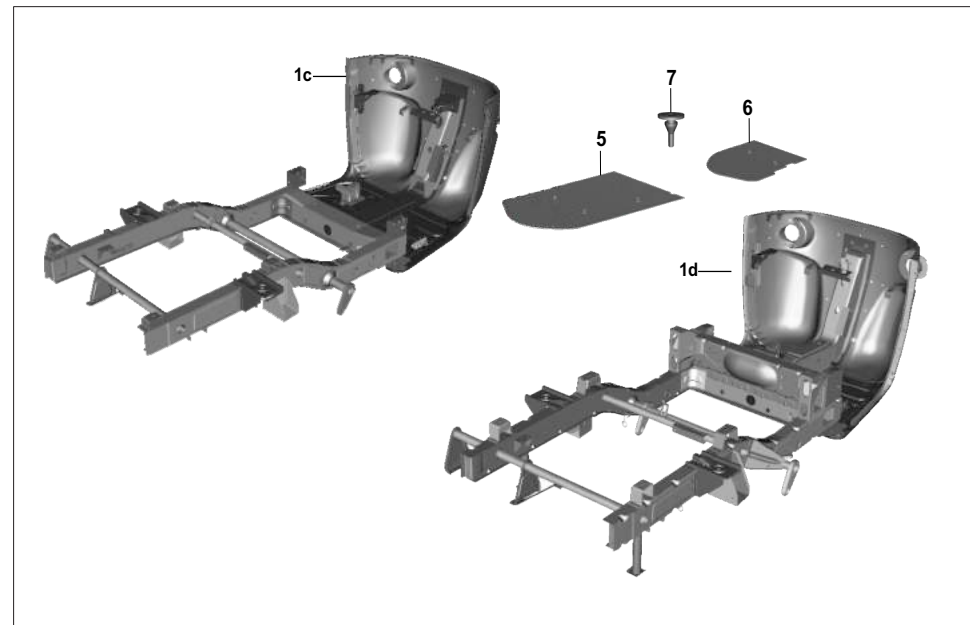


No.	Part No.	Description	BA	BH	BB	AL	Remarks
1	52 2406 74	Bare chassis/ frame complete	1	-	-	--	BA 1611 60 SHL
1a	52 2407 46	Assembly bare chassis twin hl	1	-	-	--	BA 1600 06
1a	52 BA03 08	Assembly bare chassis Hand Clutch	1	-	-	-	BA 1600 07
1b	52 BH00 55	Frame assembly complete	--	1	-	--	BH 1110 50
1b	52 BH00 98	Frame Assembly complete HC	-	1	-	-	
1c	52 2406 67	Frame assembly complete	--	--	1	-	BB 1610 84
1c	52 BB01 48	Frame assembly complete HC	-	-	1	-	
1d	AL 1616 50	Frame bare chassis	-	-	-	1	
2	BA 2500 05	Lock set	1	-	-	--	N.I SHL
2a	BA 2500 04	Lock set	1	--	--	--	N.I
2b	BH 2326 04	Lock set	--	1	--	--	N.I.
2c	BB 1810 11	Lock set	--	--	1	--	N.I.
2d	AL 1810 41	Lock set	--	--	--	1	N.I.
3	24 2317 26	Packing for body	8	-	-	-	
3a	24 2313 36	Packing chassis & tray - frame	--	8	-	-	
3b	AL 1613 92	Packing chassis & tray - frame	--	4	-	-	
3c	AL 1610 69	Packing chassis & tray - frame	-	-	8	8	
4	24 1652 15	Mat floor front	-	1	-	-	
5	BB 1611 22	Mat floor front LH	-	-	1	1	
6	BB 1611 32	Mat floor front RH	-	-	1	1	
7	BB 2312 71	Plug : mat fixing	--	6	6	6	

BA - COMPACT
BH - COMPACT+
BB - MAXIMA
AL - CARGO

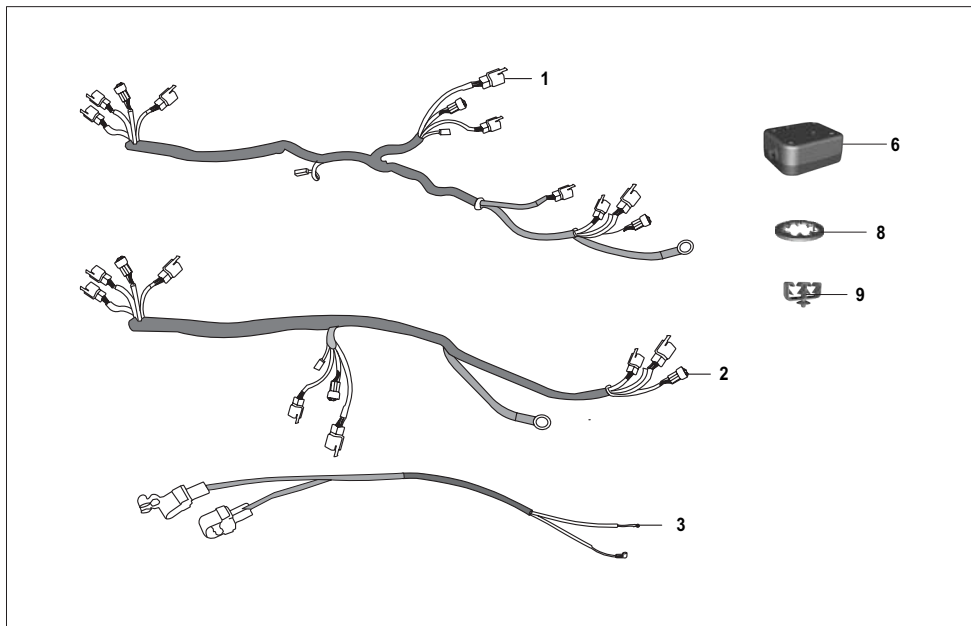
PLATE NO. 50 : CHASSIS

RE COMPACT,COMPACT+
MAXIMA,CARGO DIESEL



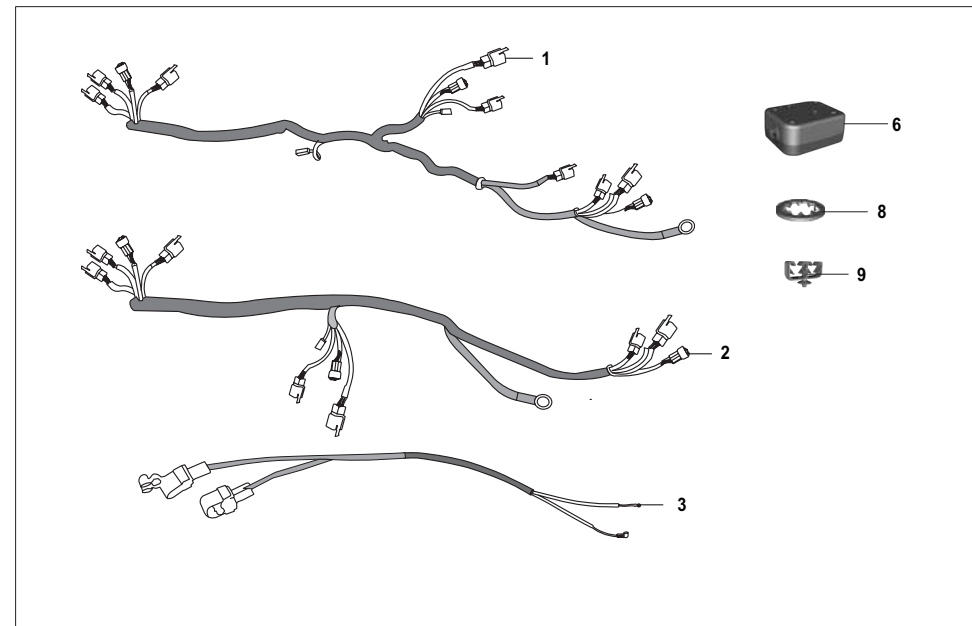
No.	Part No.	Description	BA	BH	BB	AL	Remarks
8	24 1614 46	Holder water bottle	--	1	-	-	
9	BH 1110 92	Grommet wiring harness fl	1	1	1	1	
10	24 1652 30	Grommet upper part fl	3	3	-	-	
11	22 2001 61	Grommet	-	-	-	--	SHL
12	AA 1610 89	Bracket faremeter - coupler	1	-	-	-	
13	KC GA06 06	Nut hex flanged	2	2	2	2	
14	36 BB00 29	Lock assy steering with key kit	-	-	1	1	AI181013
14	36 2440 42	Lock assy steering with key kit	-	-	1	1	
15	BB 1610 48	Cover lockable member	-	-	1	1	
16	24 1621 56	Buffer rubber for st lever	--	-	-	2	
17	AI 1617 46	Bolt Combination load tray	-	-	-	6	

BA - COMPACT
BH - COMPACT+
BB - MAXIMA
AL - CARGO



No.	Part No.	Description	BA	BH	BB	AL	Remarks
1	BA 2011 69	Harness wiring-FR	1	-	-	--	SHL
1	BA 2011 54	Harness wiring-FR	1	-	-	-	shl-cuft
1	BA 2011 70	Harness wiring-FR	1	-	-	-	THL
1	BA 2011 80	Harness wiring-FR	1	-	-	-	fr 13.01.15
1	BA 2011 87	Harness wiring-FR	1	-	-	-	fr 18.02.15
1	BA 2011 91	Harness wiring-FR	1	-	-	--	Hand Clutch
1	BH 4022 24	Harness wiring-FR	-	1	-	-	
1	BH 4022 31	Harness wiring-FR	-	1	-	--	Hand Clutch
1	BB 2010 74	Harness wiring-FR	-	-	1	-	
1	BB 2010 92	Harness wiring-FR	-	-	1	1	
2	BA 2011 76	Wiring harness chassis RR	1	-	-	--	SHL
2	BA 2011 78	Wiring harness chassis RR	1	-	-	-	
2	BH 4022 25	Wiring harness chassis RR	--	1	-	-	
2	BB 2010 76	Wiring harness chassis RR	-	-	1	-	
2	AL 2011 29	Wiring harness chassis RR	-	-	-	1	
3	BA 2011 55	Cable assembly battery	1	-	-	-	
3	BH 4022 09	Cable assembly battery	-	1	-	-	
3	BB 2010 59	Cable assembly battery 50ah	-	-	1	-	
3	BB 2010 75	Cable assembly battery 32 ah	-	-	1	-	
4	AI 2011 30	Cable battery	-	-	-	1	
5	22 2501 32	Cable assembly electric white	1	1	1	-	

BA - COMPACT
BH - COMPACT+
BB - MAXIMA
AL - CARGO

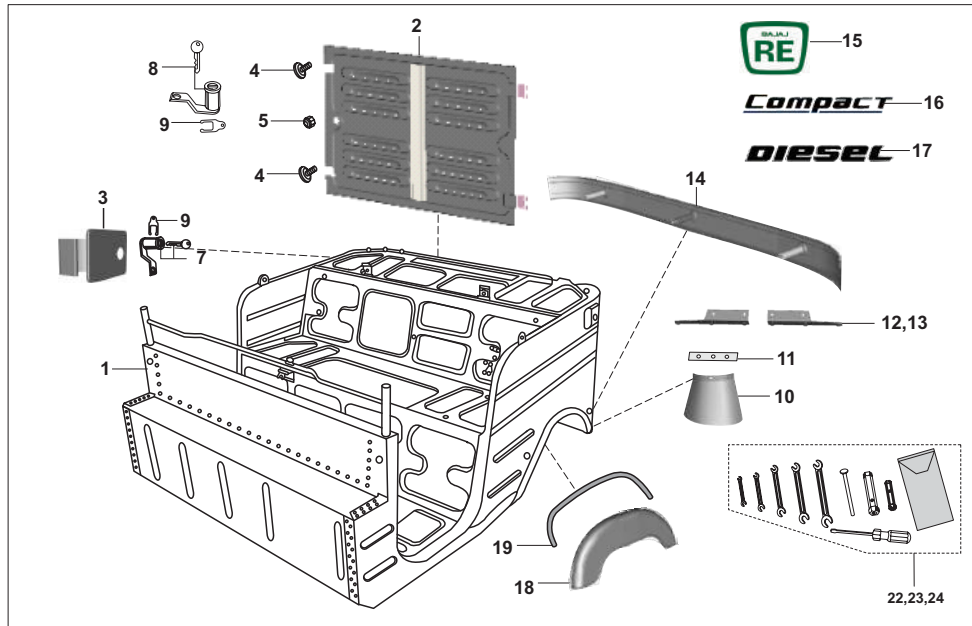


No.	Part No.	Description	BA	BH	BB	AL	Remarks
6	BH 1812 04	Coupler box	-	1	-	-	
7	KA DA06 14	Bolt flanged	-	2	-	-	NI
7	KA DA08 12	Bolt flanged	-	2	-	-	NI
8	LD F000 01	Lock Washer Toothed	1	1	1	1	
9	AL 2011 27	Clip plastic twin dia 17	-	1	1	1	
10	LD F000 02	Washer toothed	-	1	1	1	

BA - COMPACT
BH - COMPACT+
BB - MAXIMA
AL - CARGO

PLATE NO.52 : BODY - COMPACT

RE COMPACT,COMPACT⁺
MAXIMA,CARGO DIESEL

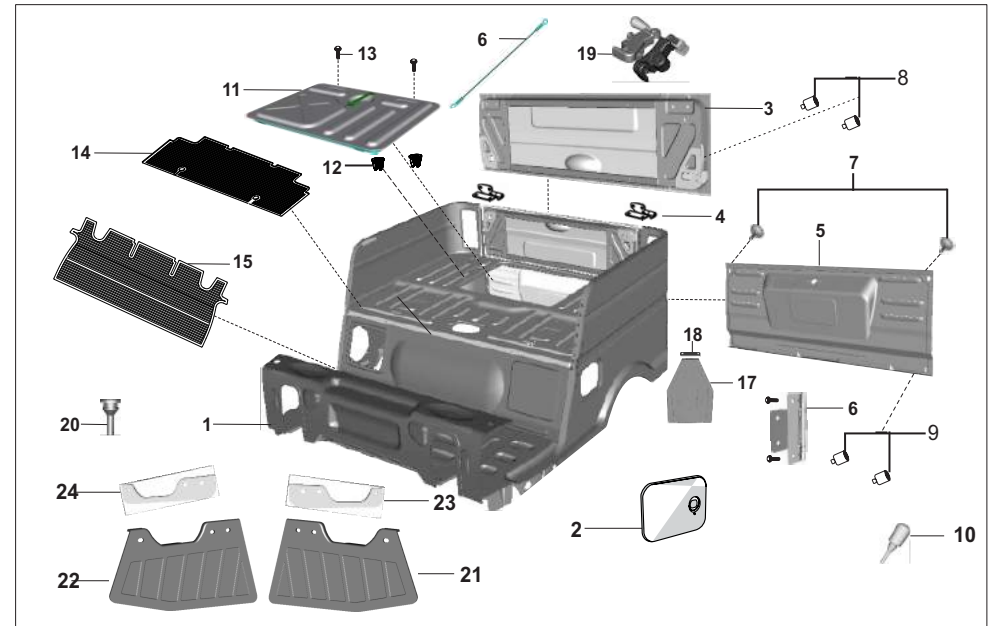


No.	Part No.	Description	BA	BH	BB	AL	Remarks
1	52 2406 75	Body assembly complete BA231125	1	-	-	-	
2	52 2406 64	Door assembly rear BA231058	1	-	-	-	
3	52 BA02 83	Door assly side filling BA231133	1	-	-	-	
4	24 2312 45	Knob for rear door	2	-	-	-	
5	24 2301 76	Knob complete for door	1	-	-	-	
6	24 2314 99	Cover side	2	-	-	-	NI
7	36 2440 44	Lock fuel filling door with key	1	-	-	-	24181144
8	36 2440 24	Lock for rear door- kit no	1	-	-	-	24230197
9	01 1607 17	Lock clip	2	-	-	-	
10	24 2301 85	Mudflap rear	2	-	-	-	
11	24 2311 57	Stripe re mudguard flap	2	-	-	-	
11	24 1611 76	Stripe RR/FR mudguard flap	-	2	2	2	
12	24 2310 90	Angle right hand rear mud flap	1	-	-	-	
13	24 2310 91	Angle left hand rear mud flap	1	-	-	-	
14	24 1651 37	Bumper assembly ed coated	1	-	-	-	
15	24 2210 34	Emblem bajaj re logo	1	-	-	-	
16	24 2210 32	Emblem compact	1	-	-	-	
17	BA 2200 03	Emblem diesel	1	-	-	-	
18	52 2100 40	Mudguard assembly rear	1	-	-	-	25231062
19	25 2310 64	Beading for mudguard	1	-	-	-	
20	KC AD05 04	Nut hex thick- mudguard	8	-	-	-	
21	AA 2311 26	Damper for door side filling	2	-	-	-	NI
22	BA 2200 06	Tool kit complete	1	-	-	-	
23	AZ 2310 00	Tool kit complete	-	1	-	-	
24	BB 2210 05	Tool kit complete	-	-	1	-	
25	BB 2210 08	Tool kit complete	-	-	-	1	

BA - COMPACT
BH - COMPACT⁺
BB - MAXIMA
AL - CARGO

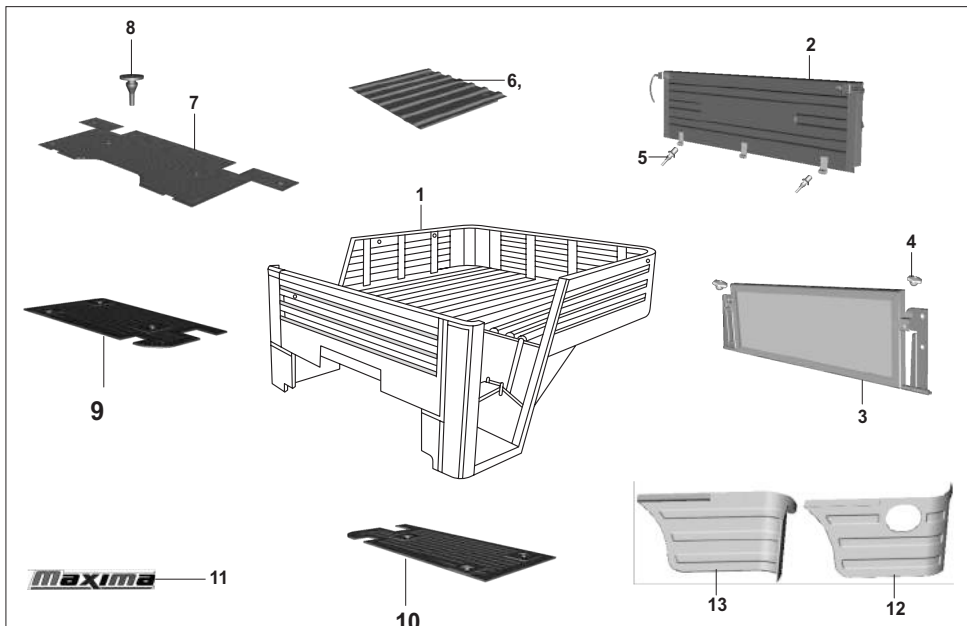
PLATE NO.52a : BODY - OPTIMA

RE COMPACT,COMPACT⁺
MAXIMA,CARGO DIESEL



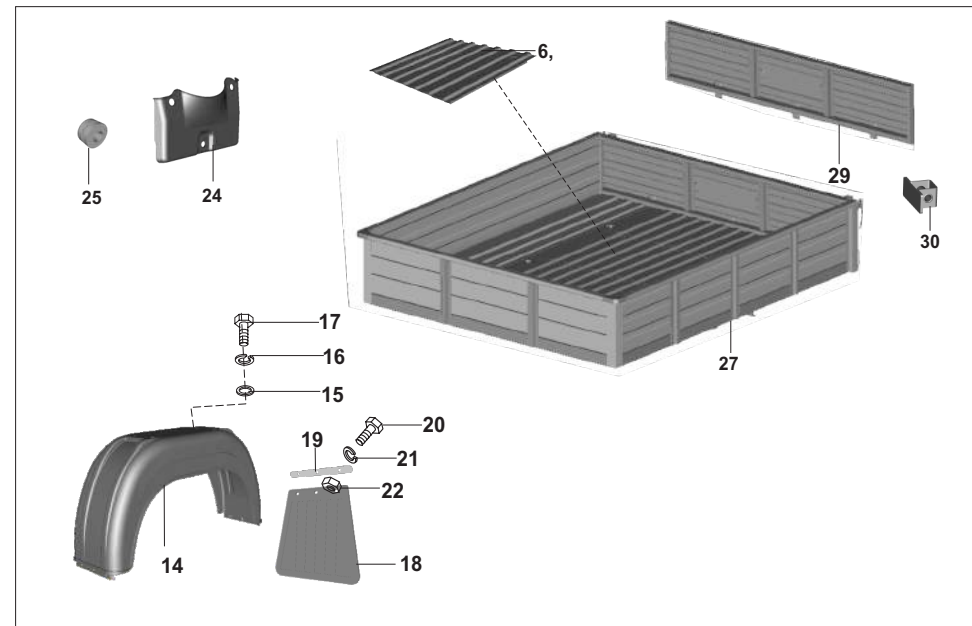
No.	Part No.	Description	BA	BH	BB	AL	Remarks
1	52 BH00 60	Assembly body complete BH211120	-	1	-	-	
2	52 BH00 56	Door assembly fuel filling BH211012	-	1	-	-	
3	52 BH00 58	Door rear upper BH211016	-	1	-	-	
4	BH 2414 00	Hinge door rear upper	-	1	-	-	
5	52 2407 48	Door rear lower BH211148	-	1	-	-	
6	BH 2414 02	Cable door holding	-	2	-	-	
7	BH 2111 65	Knob rear door lower	-	2	-	-	
8	BH 2111 63	Rubber damper rear door up	-	2	-	-	
9	BH 2110 61	Rubber damper door upper	-	2	-	-	
10	BH 2111 58	Rubber damper rear door low	-	3	-	-	
11	52 BH00 57	Door engine access BH211014	-	2	-	-	
12	AL 1615 09	Grommet screw eng door	-	2	-	-	
13	39 1907 01	Screw - truss cross	-	2	-	-	
14	24 1652 16	Mat panel floor top	-	1	-	-	
15	BH 1824 03	Matting for panel floor lower	-	1	-	-	
17	BH 1814 01	Flapmud	-	2	-	-	
18	BH 1814 02	Plate for mudflap	-	2	-	-	
19	BH 2418 00	Latch door rear upper	-	2	-	-	
20	BG 2210 03	Pad rubber for engine door	-	6	-	-	
21	BB 1612 44	Mudflap rear LH	-	1	1	1	
22	BB 1612 45	Mudflap rear RH	-	1	1	1	
23	BH 1814 05	Plate mudflap support LH	-	1	1	1	
24	BH 1814 06	Plate mudflap support RH	-	1	1	1	
25	KC GA05 05	Nut hex flanged	-	6	-	-	
26	BH 1314 07	Assembly cap spare wheel	-	1	-	-	

BA - COMPACT
BH - COMPACT⁺
BB - MAXIMA
AL - CARGO



No.	Part No.	Description	BA	BH	BB	AL	Remarks
1	52 2406 68	Assembly body complete BB231351	--	--	1	--	
2	52 2406 70	Door rear upper BB231216	--	--	1	--	
3	BB 1611 71	Assembly guard rear	--	--	1	1	
4	24 2312 45	Knob rear door lower	--	--	2	2	
5	24 2301 98	Pad rubber	--	--	2	2	
6	52 2406 69	Door engine access BB231215	--	--	1	--	
6	AI 2416 21	Assy engine access cover	--	--	--	1	
7	BB 2312 25	Matting passenger	--	--	1	--	
8	BB 2312 71	Plug : mat fixing	--	--	5	--	
9	BB 2311 41	Matting - foot step -RH	--	--	1	--	
10	BB 2311 42	Matting - foot step -RH	--	--	1	--	
11	BB 2210 13	Emblem maxima	--	--	1	--	
12	BB 2313 69	Cover rear LH	--	--	1	--	
13	BB 2313 70	Cover rear RH	--	--	1	--	
14	AL 1613 77	Rear mudguard	--	--	2	2	
15	39 0814 11	Plain washer	--	--	8	8	
16	39 0263 12	Washer spring	--	--	8	8	
17	39 1902 04	Bolt-flanged-small	--	--	8	8	
18	AL 1612 26	Mud flap For rear mudguard	--	--	2	2	
19	AL 1612 29	Strip for mud flap	--	--	2	2	
20	39 0071 04	Hex head screw-m5	--	--	6	6	

BA - COMPACT
BH - COMPACT+
BB - MAXIMA
AL - CARGO

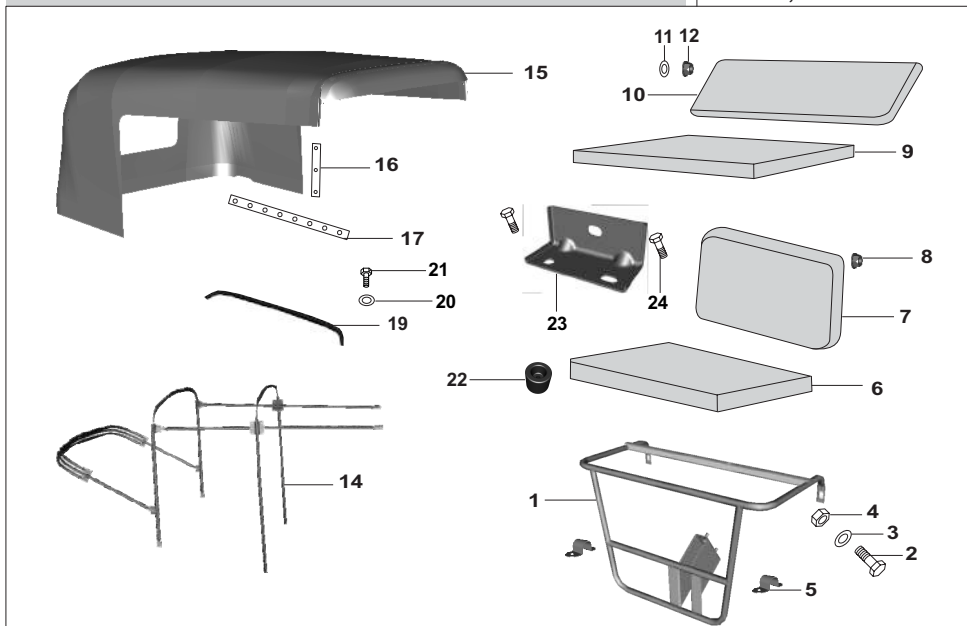


No.	Part No.	Description	BA	BH	BB	AL	Remarks
21	39 0262 12	Washer - spring	--	--	6	6	
22	KC AA05 04	Hexagon nut-m5	--	--	6	6	
23	39 0761 01	Screw Pan Cross - M5	--	--	1	1	NI
24	AL 1010 53	Guard splash	--	--	1	1	
25	DG 1410 19	Damper	--	--	3	3	
26	31 2010 01	Collar	--	--	3	3	NI
27	AI 2416 33	Assembly tray load body complete	--	--	--	1	
28	39 2727 11	Washer-plain	--	--	--	6	NI
29	AI 2416 34	Assembly panel rear door	--	--	--	1	
30	AI 2415 18	Assembly lever hold bracket	--	--	--	2	

BA - COMPACT
BH - COMPACT+
BB - MAXIMA
AL - CARGO

PLATE NO. 53 : SEAT & HOOD FRAME - COMPACT

RE COMPACT,COMPACT+
MAXIMA,CARGO DIESEL

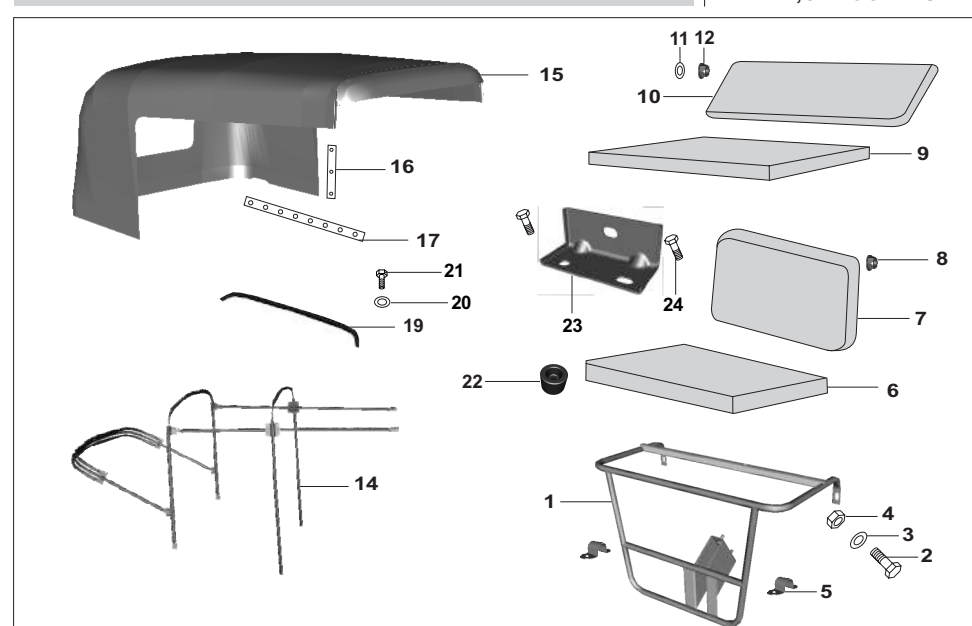


No.	Part No.	Description	BA	BH	BB	AL	Remarks
1	AP 1610 54	Driver seat Frame	1	-	-	-	
2	39 0390 04	Bolt Flange	2	-	-	-	
3	39 0230 11	Plain washer	2	-	-	-	
4	39 2295 15	Nut	2	-	-	-	
5	24 2311 46	Bracket seat base mtg	2	-	-	-	
6	AA 2311 40	Assembly seat cushion	1	-	-	-	(24231565)
7	AF 2310 78	Driver backrest	1	-	-	-	
8	39 2484 15	Nut - Hexagon	4	-	-	-	
9	AF 2310 79	Seat Assly. Passenger	1	-	-	-	
10	BA 2310 96	Back rest assly. Passenger	1	-	-	-	
11	39 0798 15	Nut	5	-	-	-	
12	39 0211 11	Washer plain	5	-	-	-	
13	24 2314 21	Spacer backrest pass.	3	-	-	-	NI
14	24 2317 48	Hood Frame Assly	1	-	-	-	
15	Ba 2311 51	Hood complete - black	1	-	-	-	
15	Ba 2311 50	Hood complete - yellow	1	-	-	-	
16	24 2317 61	Strip hood fixing-smaller	1	-	-	-	
17	24 2317 62	Strip hood fixing-bigger	1	-	-	-	
18	39 0921 01	Screw pan cross m4	2	-	-	-	NI
19	24 2317 72	Stick assembly - hood	1	1	1	-	
19a	24 2317 75	Stick assembly - hood	1	1	1	-	

BA - COMPACT
BH - COMPACT+
BB - MAXIMA
AL - CARGO

PLATE NO. 53 : SEAT & HOOD FRAME - COMPACT

RE COMPACT,COMPACT+
MAXIMA,CARGO DIESEL

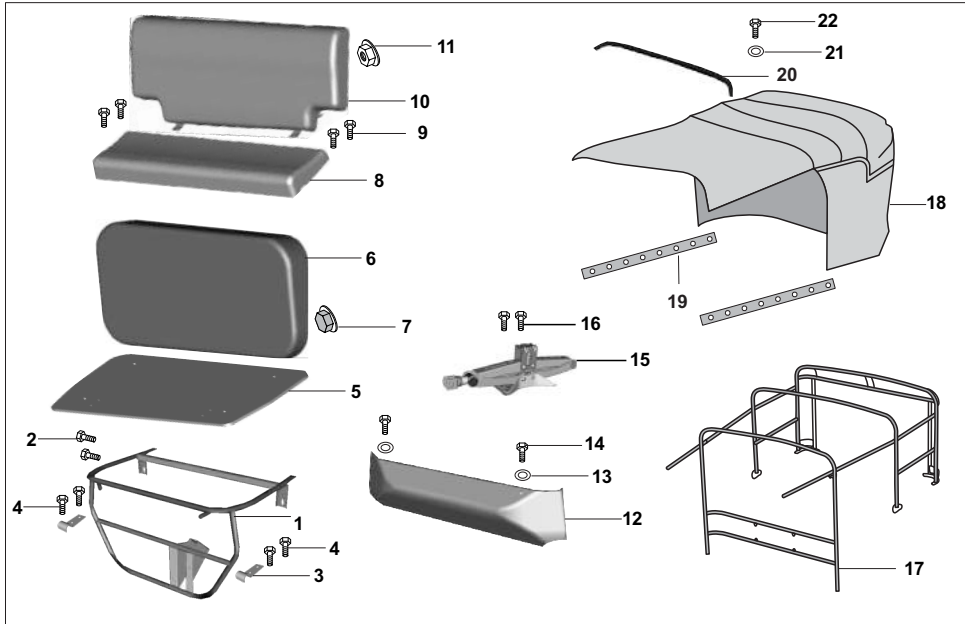


No.	Part No.	Description	BA	BH	BB	AL	Remarks
20	39 1501 11	Plain Washer	7	-	-	-	
21	KB RA48 19	Screw slotted pinhead tapping	7	-	-	-	39115902
22	AA 2311 29	Damper for seat driver	3	-	-	-	
23	24 2317 05	Bracket seat mounting passenger	1	-	-	-	
25	24 2316 20	Assembly backrest support top	1	-	-	-	

BA - COMPACT
BH - COMPACT+
BB - MAXIMA
AL - CARGO

PLATE NO. 53a : SEAT & HOOD FRAME - OPTIMA

RE COMPACT,COMPACT+
MAXIMA,CARGO DIESEL

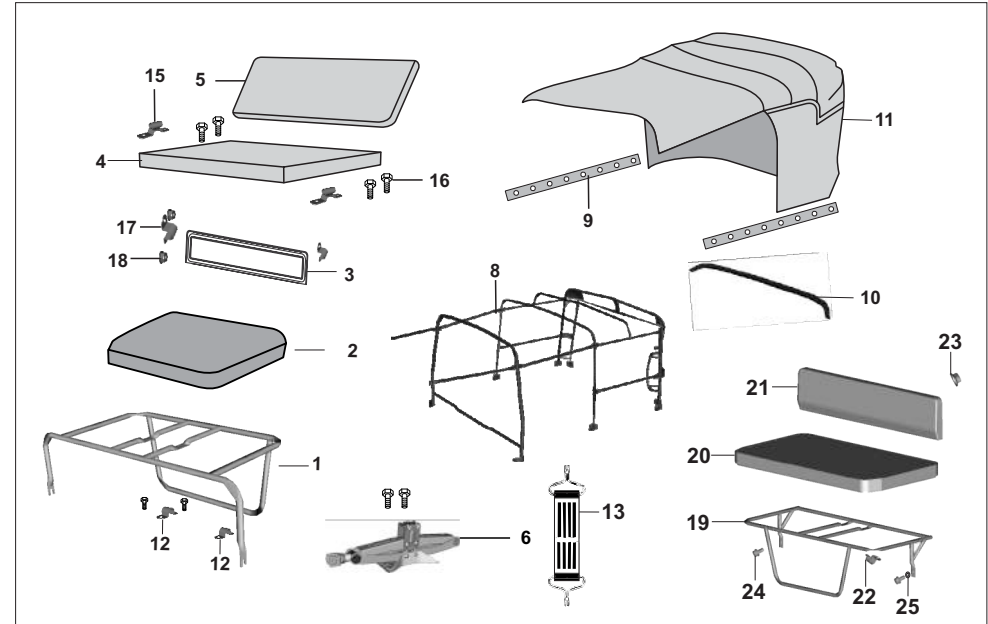


No.	Part No.	Description	BA	BH	BB	AL	Remarks
1	BH 1910 53	Driver seat frame	--	1	--	--	
2	39 1672 04	Flange bolt-m6 x 16	--	2	--	--	
3	BH 1910 32	Bracket seat base mtg	--	2	--	--	
4	39 1556 04	Bolt Flange	--	4	--	--	
5	24 2110 34	Assembly seat cushion	--	1	--	--	
6	BH 1910 19	Driver backrest	--	1	--	--	
7	39 1972 15	Nut - Hexagon with flange-M5	--	4	--	--	
8	BH 1910 09	Seat assly passenger	--	1	--	--	
9	39 1556 04	Bolt M-8	--	6	--	--	
10	BH 1910 22	Back rest assly passenger	--	1	--	--	
11	39 2383 15	Nut - Hexagon with flange-M8	--	2	--	--	
12	BH 1812 01	Cover spare wheel	--	1	--	--	
13	KD BC05 12	Washer plain	--	2	--	--	
14	KB UB04 10	Screw truss	--	2	--	--	
15	BB 2210 04	Jack assly.	--	1	--	--	
16	KA Dd06 30	Bolt jack	--	2	--	--	
17	BH 2130 09	Hood frame assly	--	1	--	--	
18	BH 2130 12	Hood complete	--	1	--	--	
19	AT 2130 01	Stripe hood fixing RR	--	2	--	--	
20	24 2317 72	Stick assembly - hood	--	1	--	--	
20	24 2317 75	Stick assembly - hood	--	1	--	--	
21	39 1501 11	Plain washer	--	7	--	--	
22	KB RA48 19	Screw slotted pin head tapping	--	7	--	--	39 1159 02

BA - COMPACT
BH - COMPACT+
BB - MAXIMA
AL - CARGO

PLATE NO. 53b : SEAT & HOOD FRAME - MAXIMA

RE COMPACT,COMPACT+
MAXIMA,CARGO DIESEL

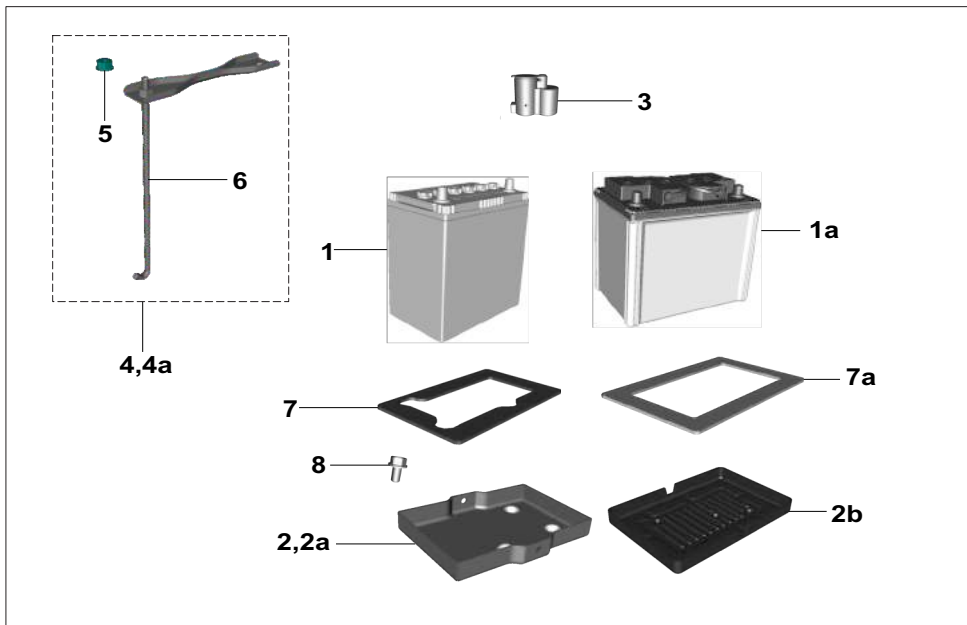


No.	Part No.	Description	BA	BH	BB	AL	Remarks
1	BB 2110 14	Driver seat frame	--	--	1	--	
2	BB 2110 12	Assembly seat cushion	--	--	1	--	
3	BB 2110 10	Driver backrest	--	--	1	--	
4	BB 2312 29	Seat aasly passenger	--	--	1	--	
5	BB 2312 32	Back rest assly passenger	--	--	1	--	
6	BB 2210 04	Jack assly	--	--	1	1	
7	BB 2312 20	Frame assly passenger seat	--	--	1	--	NI
8	BB 2313 37	Hood frame assly	--	--	1	--	
9	AT 2130 01	Stripe hood fixing RR	--	--	1	--	
10	24 2317 72	Stick assembly - hood I	--	--	1	--	
10a	24 2317 75	Stick assembly - hood II	--	--	1	--	
11	BB 2313 38	Hood complete fl	--	--	1	--	
11	BB 2313 38	Hood complete fl green	--	--	1	--	
12	24 2311 46	Clip	--	--	1	--	
13	BB 2312 69	Strap assly passenger seat clamp	--	--	2	--	
14	BB 2312 68	Damper	--	--	2	--	NI
15	BB 2312 27	Bracket assembly hinge	--	--	2	--	
16	39 1556 04	Bolt m8	--	--	4	--	
17	BB 2311 31	Clip for seat mounting	--	--	2	--	
18	39 1970 15	Nut m8	--	--	4	--	
19	AL 2110 19	Driver seat frame	--	--	--	1	
20	AN 2110 01	Seat assembly driver	--	--	--	1	
21	AL 2110 17	Backrest driver	--	--	--	1	
22	24 2311 46	Clip	--	--	--	2	
23	39 1972 15	Nut - hexagon with flange	--	--	--	7	
24	39 1556 04	Hex hd bolt/flange-m8	--	--	--	2	
25	39 0230 11	Washer plain	--	--	--	2	

BA - COMPACT
BH - COMPACT+
BB - MAXIMA
AL - CARGO

PLATE NO. 55 : BATTERY

RE COMPACT,COMPACT+
MAXIMA,CARGO DIESEL

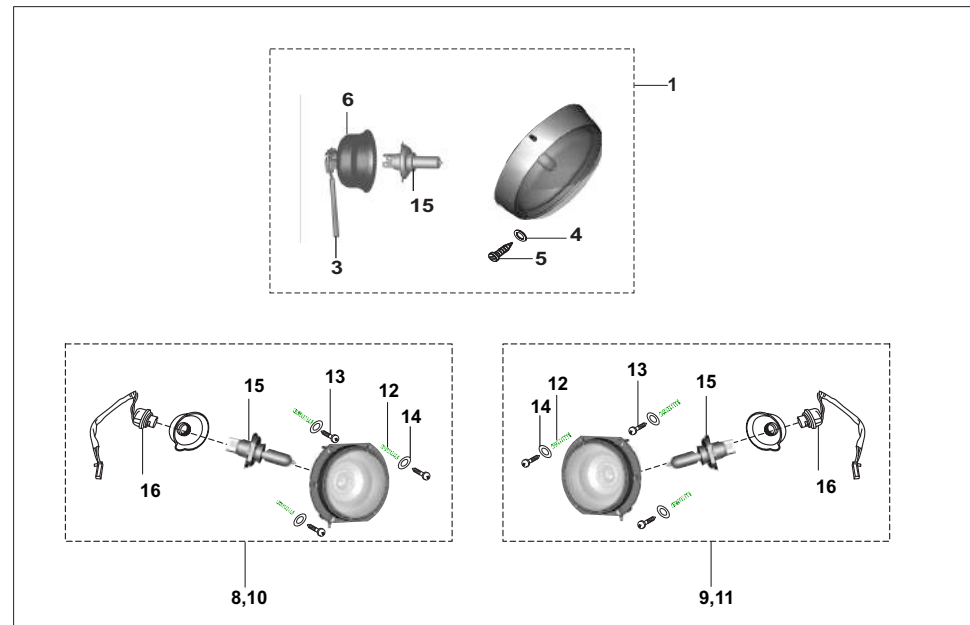


No.	Part No.	Description	BA	BH	BB	AL	Remarks
1	BA 2010 01	Battery from- 23.03.2015	1	1	1	1	NS
1a	AL 2010 20	Battery upto - 22.03.2015	--	--	1	--	NS
2	BH 1138 05	Battery tray	1	--	--	--	
2a	24 1653 09	Battery tray	--	1	--	--	
2b	BB 1611 75	Battery Base	--	--	1	--	
3	36 BB00 33	Lock battery with key Kit	1	1	1	--	Bb201018
3a	36 AL00 17	Lock battery without key kit	--	--	1	1	AI161230
4	AN 1610 74	Clamp Assly	1	1	1	1	
4a	BB 1612 26	Clamp Assly 50ah battery	--	--	1	--	
5	39 0817 15	Nut	1	1	1	1	
6	AN 1610 75	Tie rod	1	1	1	1	
7	BA 1610 29	Packing Battery	1	1	--	--	
7a	BB 1612 27	Packing Battery	--	1	--	--	
8	KA DA08 14	Bolt Flanged- Tray mounting	3	3	4	--	
9	AN 1610 48	Liner battery base	--	--	1	1	

BA - COMPACT
BH - COMPACT+
BB - MAXIMA
AL - CARGO

PLATE NO. 56 : HEAD LIGHT ASSLY

RE COMPACT,COMPACT+
MAXIMA,CARGO DIESEL

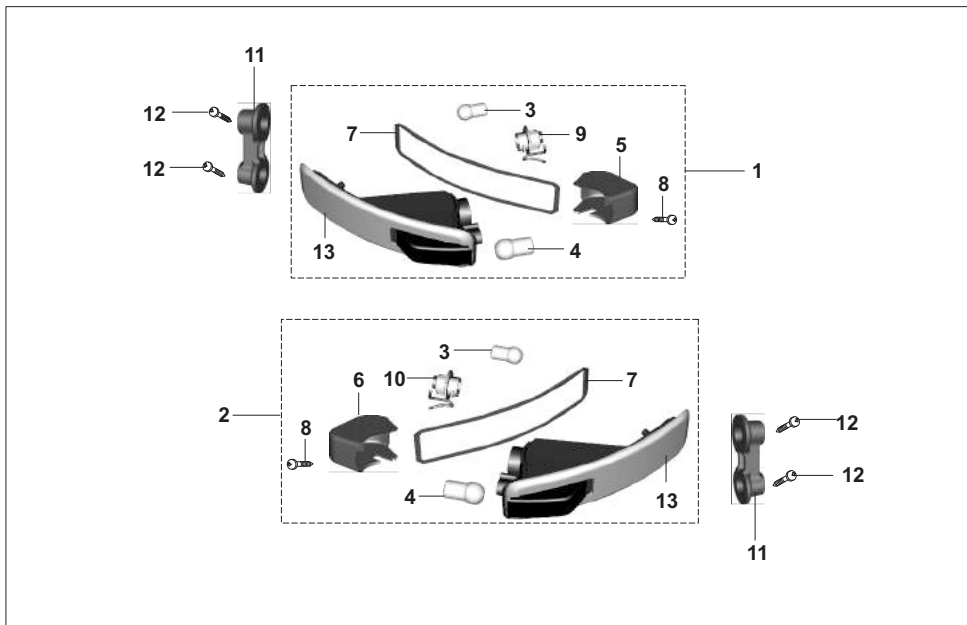


No.	Part No.	Description	BA	BH	BB	AL	Remarks
1	24 2013 68	Head light comp with lamp	1	--	--	--	SHL
2	24 2013 78	Rim - head light(new)	1	--	--	--	NS SHL
3	24 2013 80	Cable assly(head light hs1)	1	--	--	--	SHL
4	01 2002 13	Washer cup	2	--	--	--	SHL
5	KB ca04 14	Screw csk cross	2	--	--	--	SHL
6	AP 2010 66	Rubber cap new head lights	1	--	--	--	SHL
7	36 2440 75	Assly Reflector with holder	1	--	--	--	SHL
8	AL 2011 19	H/I assly LH	1	1	--	--	
9	AL 2011 20	H/I assly RH	1	1	--	--	
10	BB 2010 68	Light assy head LH with lamp	--	--	1	1	
10	BB 2010 78	Light assy head LH with lamp	--	--	1	1	
11	BB 2010 69	Light assy head RH with lamp	--	--	1	1	
11	BB 2010 79	Light assy head RH with lamp	--	--	1	1	
12	BB 2010 70	Spring head lamp mounting	6	6	6	6	
13	AA 2012 64	Screw pan cross m5x40	6	6	6	6	
14	39 0258 11	Plain washer	6	6	--	--	
14	39 0219 11	Washer plain	--	--	6	6	
15	CL 2010 23	Lamp 12v-35/35w-hs1	2	2	2	2	
16	AA 2012 62	Rubber cap headlamp	2	2	2	2	

BA - COMPACT
BH - COMPACT+
BB - MAXIMA
AL - CARGO

PLATE NO. 57 : INDICATOR ASSLY

RE COMPACT,COMPACT+
MAXIMA,CARGO DIESEL

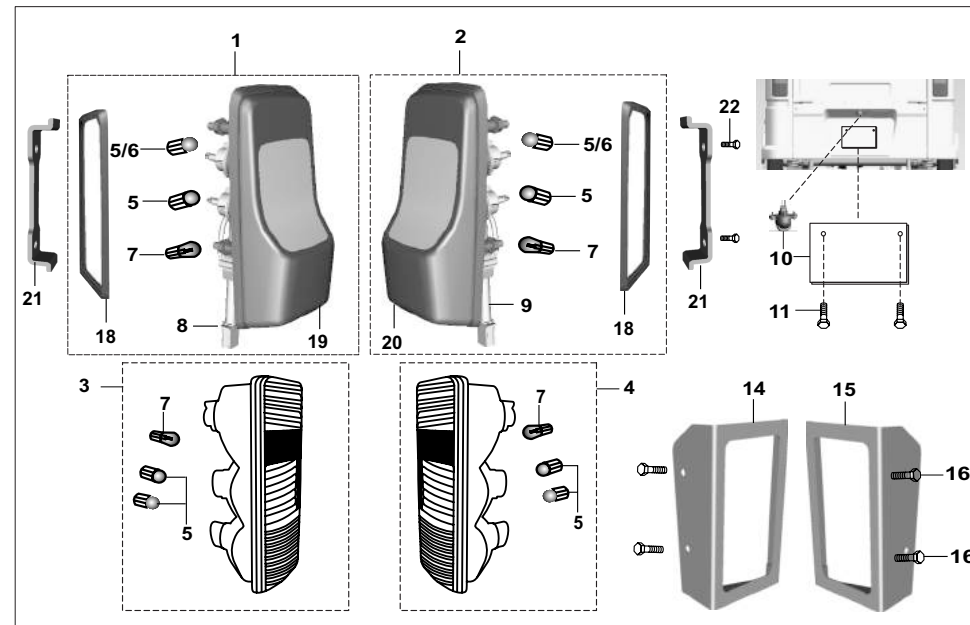


No.	Part No.	Description	BA	BH	BB	AL	Remarks
1	24 2014 87	Ind assly. Front LH/ lamp	1	1	1	1	
2	24 2014 88	Ind assly. Front RH/ lamp	1	1	1	1	
3	DJ 2010 72	Lamp 12v 5w	2	2	2	2	
3	JD 4010 32	Bulb 12v 5w e-marked	2	2	2	2	
4	06 2010 83	Lamp 12v 10w	2	2	2	2	
4	18 2010 44	Lamp :- 12V - 10W - R 10W	2	2	2	2	
5	24 2014 85	Cover side indicator FR LH	1	1	1	1	
6	24 2014 86	Cover side indicator FR RH	1	1	1	1	
7	24 2014 84	Gasket front side indicator refl	1	1	1	1	
8	KB RB35 25	Screw tapping pan slotted	2	2	2	1	
9	24 2015 02	Cable fr indi with holder LH	1	1	1	1	
10	24 2015 03	Cable fr indi with holder RH	1	1	1	1	
11	24 2015 23	Holder front indicator assly	2	2	2	2	
12	KB RC35 16	Screw tapping pan cross	4	4	4	2	
13	24 2015 04	Assembly lens & reflector fr ind	2	2	2	2	

BA - COMPACT
BH - COMPACT+
BB - MAXIMA
AL - CARGO

PLATE NO. 58 : TAIL LAMP

RE COMPACT,COMPACT+
MAXIMA,CARGO DIESEL

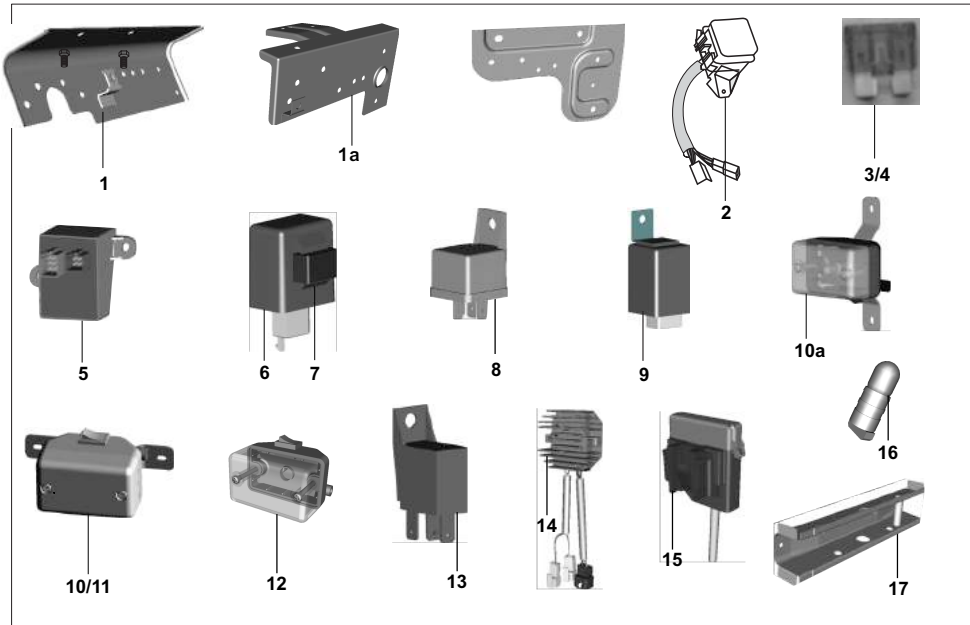


No.	Part No.	Description	BA	BH	BB	AL	Remarks
1	24 2014 72	Tail light LH with lamp	1	-	1	1	
2	24 2014 73	Tail light RH with lamp	1	-	1	1	
3	BH 4010 00	Tail light LH with lamp	-	1	-	-	
4	BH 4010 02	Tail light RH with lamp	-	1	-	-	
5	06 2010 83	Lamp 12v 10w	4	4	-	-	
5	18 2010 44	Lamp :- 12V - 10W	4	4	4	4	
6	GH 2010 12	Llamp:-12v-10w (colour:-amber)	2	-	2	2	
7	AA 2012 27	Lamp 12v 18/5w	2	2	2	2	
7	20 2010 29	Lamp 12V 21/5W	2	2	2	2	
8	24 2015 00	Cable taillamp with holder LH	1	-	1	1	
9	24 2015 01	Cable taillamp with holder RH	1	-	1	1	
10	BH 4010 04	Number plate light with lamp	-	1	-	-	
11	39 1680 04	Bolt flange m6	2	2	2	2	
14	BB 1611 82	Bracket tail lamp mtg LH	-	-	1	1	
15	BB 1611 84	Bracket tail lamp mtg RH	-	-	1	1	
16	KA DA08 14	Bolt flanged	4	4	4	4	
17	KB RA42 19	Screw tapping pan cross	4	-	4	4	NI
18	24 2014 76	Gasket tail light assembly refl	2	-	1	1	
19	24 2014 77	Lens tail light LH refl	1	-	1	1	
20	24 2014 99	Lens tail light RH refl	1	-	1	1	
21	AA 2010 90	Bracket mounting tail light	2	-	2	2	
22	KC GD06 06	Nut hex flanged	4	4	4	4	
23	22 1612 21	Plate number rear	1	1	1	1	

BA - COMPACT
BH - COMPACT+
BB - MAXIMA
AL - CARGO

PLATE NO. 59 : ELECTRICAL UNITS

RE COMPACT,COMPACT+
MAXIMA,CARGO DIESEL

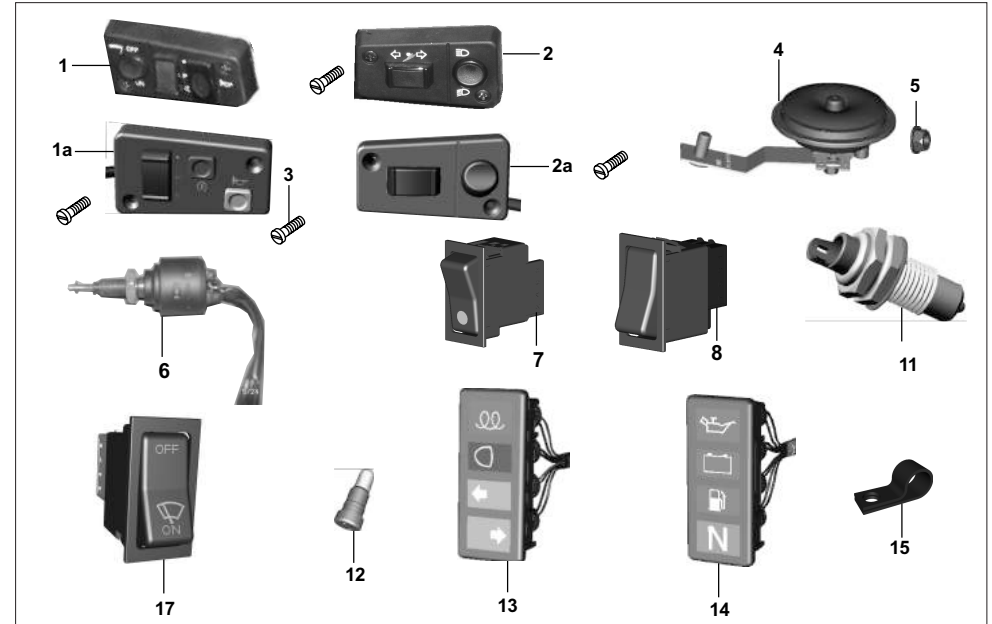


No.	Part No.	Description	BA	BH	BB	AL	Remarks
1	AP 2010 37	Plate electrical units FR	1	1	-	--	
1a	AL 1612 73	Plate electrical units FR	-	-	1	1	
2	AL 2010 82	Fuse box assembly	1	1	1	1	
2	BA 2011 29	Fuse box assembly	1	-	-	--	SHL
3	AK 2010 12	Fuse blade type 10 amp	6	6	6	6	
4	DG 2010 84	Fuse :- 30 amps (blade type)	1	1	1	1	
5	BG 4032 06	Assy combine control unit	1	1	1	1	
6	AB 2010 76	Relay flasher (hazard)	1	1	1	1	
7	31 2010 29	Holder for relay	1	1	1	1	
8	BA 2010 17	Starter relay	1	1	1	1	
9	BB 1110 09	Glow plug timer	1	1	1	1	
10	AL 2010 39	Lamp (light) assembly - cabin	-	1	-	--	
10a	AL 2010 73	Lamp (light) assembly - cabin	-	-	1	1	
11	AP 2010 58	Cabin light assembly	1	1	1	1	AF201081
12	AF 2010 81	Lamp light assembly cabin lamp	1	-	-	--	
13	AL 2010 12	Relay head light	2	2	2	2	
14	BB 2010 22	Regulator	1	1	1	1	BA201158
15	BH 4022 20	Assembly fuse box blade type	1	1	1	1	
16	24 2015 15	Bulb 12v,10w,capless-cab	1	1	1	1	
17	BA 1611 46	Plate electrical units RR	1	-	-	--	
18	BB 1612 52	Plate assy ele unit mtg	-	-	1	1	NI

BA - COMPACT
BH - COMPACT+
BB - MAXIMA
AL - CARGO

PLATE NO. 60 : SWITCHES

RE COMPACT,COMPACT+
MAXIMA,CARGO DIESEL



No.	Part No.	Description	BA	BH	BB	AL	Remarks
1	BA 2011 72	Switch control RH	1	1	1	1	
1a	BH 4014 01	Switch control RH HC	1	1	1	1	Hand Clutch
1b	AA 2012 56	Switch control RH	1	1	1	1	OLD-with start button
2	BA 2011 71	Switch control LH	1	1	1	1	
2a	AL 2010 60	Switch control LH HC	1	1	1	1	Hand Clutch
3	AL 2010 62	Slotted ch. Hd. Screw	4	4	4	4	
4	AA 2012 39	Horn dc 12v with transil diode	1	1	1	1	
5	39 2295 15	Nut - flange :- m8	1	1	1	1	
6	AF 2010 94	Brake switch	1	1	1	1	
7	AL 2010 31	Switch for stereo connection	1	1	1	1	
8	AB 2010 77	Switch hazard warning	1	1	1	1	
9	BA 2010 82	Oil pressure switch	1	1	1	1	
10	BH 4014 00	Reverse switch	1	1	1	1	NI
11	AP 1110 23	Neutral switch	1	1	1	1	
12	CM 2010 54	Lamp 12v 2w	4	4	-	-	
13	BA 2011 20	Indicator light assy/lamp	-	-	-	--	
14	BA 2010 93	Indicator light assy/lamp	-	-	-	--	
15	AL 2010 70	Clip p for new control switch	2	2	2	2	
16	39 2631 01	Screw pan head m5	2	2	2	2	NI
17	AA 2010 88	Wiper switch	1	1	1	1	

BA - COMPACT
BH - COMPACT+
BB - MAXIMA
AL - CARGO

SR.NO.	HAND CLUTCH RELATED PARTS			APPLICABLE MODELS		
	Item Id	Item Name	Q11	BA 10	BH03	BB09
VEHICLE PARTS						
1	BH161211	CABLE CLUTCH COMPLETE	1	--	1	--
2	BA191092	CABLE CLUTCH COMPLETE	1	1	--	--
3	BB191051	CABLE CLUTCH COMPLETE	1	--	--	1
4	BA181022	RING GEAR INDICATOR	1	1	1	1
5	06191089	GRIP FOR CLASSIC	1	1	1	1
6	BA181021	ASSEMBLY GEAR CONTROL TUBE	1	1	1	1
7	AA191032	LEVER CLUTCH	1	1	1	1
8	24191105	SCREW SP CRS RECESD	1	1	1	1
9	39032615	NUT N1LOC M5X0.8	1	1	1	1
10	03190204	WASHER PLAIN	1	1	1	1
11	03190206	WASHER PLAIN	1	1	1	1
12	01190205	WASHER SPRING	1	1	1	1
13	24181067	GUIDE FOR CLUTCH CABLE	1	1	1	1
14	39220804	BOLT FLANGED M5X10	1	1	1	1
15	BA191093	CABLE REVERSE GEAR COMPLETE	1	1	--	--
16	BH161216	CABLE REVERSE GEAR COMPLETE	1	--	1	1
17	BA191094	CABLE GEAR WHITE COMPLETE	1	1	--	1
18	BA191095	CABLE GEAR BLACK COMPLETE	1	1	--	1
19	BH161217	CABLE GEAR WHITE COMPLETE	1	--	1	--
20	BH161218	CABLE GEAR BLACK COMPLETE	1	--	1	--
21	24191180	SLEEVE FOR CABLES DIA 36	1	1	1	1
22	BH111204	ASSEMBLY BARE CHASSIS	1	--	1	--
23	BA161200	ASSEMBLY BARE CHASSIS	1	1	--	--
24	BB161284	ASSEMBLY BARE CHASSIS	1	--	--	1
25	BA201191	FRONT HARNESS	1	1	--	--
26	BH402231	FRONT HARNESS	1	--	1	--
27	BB201092	FRONT HARNESS	1	--	--	1
28	BH401401	CONTROL SWITCH RH	1	1	1	1
29	AL201060	CONTROL SWITCH LH	1	1	1	1
30	AA201088	WIPER SWITCH	1	1	1	1
31	24161492	COVER SWITCH WITH 3 SLOTS	1	1	1	--
32	AN161086	COVER SWITCH WITH 3 SLOTS	1	--	--	1
ENGINE & TRANSMISSION PARTS						
33	BA103040	ASSEMBLY ENGINE AND TRANS COMP.	1	1	--	--
34	BH501020	ASSEMBLY ENGINE AND TRANS COMP.	1	--	1	--
35	BB103090	ASSEMBLY ENGINE AND TRANS COMP.	1	--	--	1
36	BA133050	ASSEMBLY TRANSMISSION	1	1	--	--
37	BH551004	ASSEMBLY TRANSMISSION	1	--	1	--
38	AL133000	ASSEMBLY TRANSMISSION	1	--	--	1
39	BA133039	COVER CLUTCH ASSEMBLY	1	1	1	1
40	BA133040	CLUTCH DISC ASSEMBLY	1	1	1	1
41	BB133131	ASSEMBLY MAIN SHAFT	1	1	1	1
42	BB133114	BRACKET GEAR CABLE	1	1	1	1
43	BB133115	ASSEMBLY GEAR SHIFTER	1	1	1	1

BA - COMPACT
BH - COMPACT+
BB - MAXIMA
AL - CARGO

BA - COMPACT
BH - COMPACT+
BB - MAXIMA
AL - CARGO

KIT LIST

**RE COMPACT,COMPACT+
MAXIMA,CARGO DIESEL**

Sr. No.	Kit Part No.	Kit Description	Consisting of Following Parts		
			Part No.	Description	Qty./Kit
1.	24151168	Strut assly FR complete	24151129	Strut plate FR	1
			24151131	Pinion	1
			24151130	Plate ratchet	1
			24151139	Pin ratchet	1
			24151132	Spring strut LH	1
2.	24151176	Strut assly LH complete	24151144	Strut plate LH	1
			24151131	Pinion	1
			24151130	Plate ratchet	1
			24151139	Pin ratchet	1
			24151132	Spring strut LH	1
3.	24151180	Strut assly RH complete	24151151	Strut plate RH	1
			24151131	Pinion	1
			24151130	Plate ratchet	1
			24151139	Pin ratchet	1
			24151152	Spring strut RH	1
4.	24151170	Ratchet kit for FR & LH	24151130	Plate ratchet	1
			24151139	Pin ratchet	1
			24151132	Spring strut LH	1
5.	24151181	Ratchet kit RH	24151130	Plate ratchet	1
			24151139	Pin ratchet	1
			24151152	Spring strut RH	1
6.	24151268	Brake shoe kit (ask)	24151138	Spring shoe clamping	2
			24151137	Pin pivot shoe	2
			BH131824	Shoe assly brake	2
7.	24151172	Shoe clamp spring kit	24151138	Spring shoe clamping	2
			24151137	Pin pivot shoe	2
	BB151064	Shoe clamp spring kit	AL151201	Spring shoe clamping	2
8.	24151182	Spring kit (Compact, Optima)	AL151202	Pin pivot shoe	2
			24151133	Main spring	3
			24151153	Spring strut holding RH	1
BB151062	Spring kit LH (Maxima)	24151135	Spring shoe holding	1	
		AL151196	Shoe return spring lower	1	
		AL151195	Main spring	1	
BB151063	spring kit RH (Maxima)	AL151197	Adjuster holding spring LH	1	
		AL151196	Shoe return spring lower	1	
		AL151195	Main spring	1	
9.	24151177	Lever parking brake LH	AL151198	Adjuster holding spring RH	1
			24151147	Pin split - HBL	1
			24151146	Pin pivot-park lever	1
			24151148	Washer- plain park lever	1
			BH131813	Lever parking brake LH	1

BA - COMPACT
BH - COMPACT+
BB - MAXIMA
AL - CARGO

KIT LIST

**RE COMPACT,COMPACT+
MAXIMA,CARGO DIESEL**

Sr. No.	Kit Part No.	Kit Description	Consisting of Following Parts		
			Part No.	Description	Qty./Kit
10.	24151183	Lever parking brake RH	24151147	Pin split - HBL	1
			24151146	Pin pivot-park lever	1
			24151148	Washer- plain park lever	1
			BH131814	Lever parking brake RH	1
11.	BB151065 24151113	Wheel cylinder major kit (Maxima)	AB151052	Bleeder screw cap	1
		Wheel cylinder major kit (Com., Opt.)	AB151079	Bleeder screw	1
		24151106	Protection boot	2	
		24151105	Rebound spring	1	
		24151116	Piston lip sea	2	
		24151166	Slotted piston	2	
12.	BB151066 24151114	Wheel cylinder minor kit(maxima)	24151106	Protection boot	2
		Wheel cylinder minor kit(com., Opt.)	24151105	Rebound spring	1
		24151116	Piston lip seal	2	
13.	24151113	Wheel cylinder assly rear LH (Compact, Optima)	24151102	Wheel cylinder honed rear	1
			AB151052	Bleeder screw cap	1
			AB151079	Bleeder screw	1
			24151106	Protection boot	2
			24151105	Rebound spring	1
			24151116	Piston lip seal	2
13.	AL151210 AL151193	Wheel cylinder assly rear RH Wheel cylinder assly rear LH (Maxima)	24151166	Slotted piston	2
			AB151052	Bleeder screw cap	1
			AB151079	Bleeder screw	1
			24151106	Protection boot	2
			24151105	Rebound spring	1
			24151116	Piston lip seal	2
14.	BB151067	Brake shoe leading kit	24151166	Slotted piston	2
			AL151201	Spring shoe clamping	2
			AL151202	Pivot pin shoe	2
15.	BB151070	Brake shoe trailing with hbl RH kit	BB151060	Shoe assly brake leading	1
			AL151201	spring shoe clamping	2
			AL151202	pivot pin shoe	2
16.	BB151069	Brake shoe trailing with hbl LH kit	BB151059	shoe assly brake leading with hbl RH	1
			AL151201	spring shoe clamping	2
			AL151202	pivot pin shoe	2
17.	BB151068	Brake shoe trailing with hbl RH kit	BB151058	shoe assly brake leading with hbl LH	1
			AL151201	Spring shoe clamping	2
			AL151202	Pivot pin shoe	2
18.	36BB0006	Cylinder liner piston kit	BB151057	Shoe assly brake leading with hbl	1
			BB101095	Piston assly (with p.ring)	1
			BB100400	Cylinder liner	1

BA - COMPACT
BH - COMPACT+
BB - MAXIMA
AL - CARGO

KIT LIST

**RE COMPACT,COMPACT+
MAXIMA,CARGO DIESEL**

Sr. No.	Kit Part No.	Kit Description	Consisting of Following Parts		
			Part No.	Description	Qty./Kit
19.	36BB0007	Kit cylinder piston assly bsiii	BB101081	Cylinder crankcase assembly	1
			BB101095	Piston assly (with p.ring)	1
			24221021	Tool wrench :- 10 x 12	1
20.	36BH0006	Kit boot	BH551416	Boot	1
			BH551415	Boot clamp large	1
			BH551417	Boot clamp small	1
			BH551423	Grease	1
			BH551416	Boot	1
21.	36BH0007	Kit boot & retainer	BH551415	Boot clamp large	1
			BH551417	Boot clamp small	1
			BH551423	Grease	1
			BH551413	Retainer sheet	1
			BH551414	Boot insert	1
			BH551408	Obj tulip	1
			BH551415	Boot clamp large	1
22.	36BH0008	Kit obj	BH551417	Boot clamp small	1
			BH551423	Grease	1
			BB133077	Obj tulip	1
			BH551415	Boot clamp large	1
22.	36BH0009	Kit obj	BH551417	Boot clamp small	1
			BH551423	Grease	1
			BH551415	Boot clamp large	1
			BH551417	Boot clamp small	1
23.	36BH0010	Kit obj & tripod	BH551417	Boot clamp small	1
			BH551423	Grease	1
			BH551412	Finished roller	3
			BH551411	Tripod finished	1
			BH551410	Circlip	1
			BH551408	Obj tulip	1
			BH551415	Boot clamp large	1
			BH551417	Boot clamp small	1
24.	36BH0011	Kit obj & tripod	BH551417	Boot clamp small	1
			BH551423	Grease	1
			BH551412	Finished roller	3
			BH551411	Tripod finished	1
			BH551410	Circlip	1
			BH551415	Boot clamp large	1
			BH551417	Boot clamp small	1
			BH551423	Grease	1
25.	36BH0012	Kit ibj-all	BH551422	lbj tulip	1
			BH551415	Boot clamp large	1
			BH551417	Boot clamp small	1
			BH551423	Grease	1
26.	36BH0019	Kit roller	BH551412	Finished roller	3

BA - COMPACT
BH - COMPACT+
BB - MAXIMA
AL - CARGO

KIT LIST

**RE COMPACT,COMPACT+
MAXIMA,CARGO DIESEL**

Sr. No.	Kit Part No.	Kit Description	Consisting of Following Parts				
			Part No.	Description	Qty./Kit		
27.	36BH0013	Kit ibj & tripod	BH551422	lbj tulip	1		
			BH551415	Boot clamp large	1		
			BH551417	Boot clamp small	1		
			BH551423	Grease	1		
			BH551412	Finished roller	3		
			BH551411	Tripod finished	1		
			BH551410	Circlip	1		
			BH551418	Barshaft LH	1		
28.	36BH0014	Kit barshaft LH	BH551410	Circlip	2		
			BH551415	Boot clamp large	2		
			BH551417	Boot clamp small	2		
			BH551416	Boot	2		
			BH551419	Barshaft RH	1		
29.	36BH0017	Kit barshaft LH	BB133078	Barshaft LH	1		
			BH551410	Circlip	2		
			BH551415	Boot clamp large	2		
			BH551417	Boot clamp small	2		
			BH551416	Boot	2		
30.	36BH0015	Kit barshaft RH	BH551410	Circlip	2		
			BH551415	Boot clamp large	2		
			BH551417	Boot clamp small	2		
			BH551416	Boot	2		
			BB133079	Barshaft RH	1		
31.	36BH0018	Kit barshaft RH	BH551410	Circlip	2		
			BH551415	Boot clamp large	2		
			BH551417	Boot clamp small	2		
			BH551416	Boot	2		
			BH551410	Circlip	2		
32.	BG231000	Tool kit complete AZ231000	DJ221014	Screw driver	1		
			24221022	Spanner - flat :- 7 x 8	1		
			24221024	Spanner - flat :- 13 x 14	1		
			24221028	Plier tool	1		
			BB221006	Spanner : wheel	1		
			BB221007	Bar: tommy	1		
			24221026	Spanner tube 21x17	1		
33.	24221031	Tool kit complete	5220206	Tommy bar	1		
			DF221048	Spanner -box:16x14 with valu	1		
			24221019	Bag - tool	1		
			DJ221014	Screw driver	1		
			24221026	Spanner tube 21x17	1		
			5220206	Tommy bar	1		
			24221024	Spanner - flat :- 13 x 14	1		
			24221022	Spanner - flat :- 7 x 8	1		
			24221028	Plier tool	1		

BA - COMPACT
BH - COMPACT+
BB - MAXIMA
AL - CARGO

KIT LIST

**RE COMPACT,COMPACT+
MAXIMA,CARGO DIESEL**

Sr. No.	Kit Part No.	Kit Description	Consisting of Following Parts		
			Part No.	Description	Qty./Kit
34.	BG231000	Tool kit complete AZ231000	DJ221014	Screw driver	1
			24221022	Spanner - flat :- 7 x 8	1
			24221024	Spanner - flat :- 13 x 14	1
			24221028	Plier tool	1
			BB221006	Spanner : wheel	1
			BB221007	Bar: tommy	1
			24221026	Spanner tube 21x17	1
			5220206	Tommy bar	1
			DF221048	Spanner - box:16x14 with valu	1
			24221021	Tool wrench :- 10 x 12	1
35.	BB221005	Tool kit complete	DF221043	Tool driver:olive green & plastic handle	1
			BB221006	Spanner : wheel	1
			24221022	Spanner - flat :- 7 x 8	1
			24221021	Tool wrench :- 10 x 12	1
			24221024	Spanner - flat :- 13 x 14	1
			AL221017	Spanner flat 14 x 17	1
			AL221018	Tool plier (olive green)	1
			BB221007	Bar: tommy	1
			22221016	Bag - polyethylene	1
			AL221019	Tool bag	1
36.	36BH0006	Kit boot	BH551416	Boot	1
			BH551415	Boot clamp large	1
			BH551417	Boot clamp small	1
			BH551423	Grease	1
37.	36BH0007	Kit boot & retainer	BH551416	Boot	1
			BH551415	Boot clamp large	1
			BH551417	Boot clamp small	1
			BH551423	Grease	1
			BH551413	Retainer sheet	1
			BH551414	Boot insert	1
38.	36BH0008	Kit obj	BH551408	Obj tulip	1
			BH551415	Boot clamp large	1
			BH551417	Boot clamp small	1
			BH551423	Grease	1
39.	36BH0009	Kit obj	BB133077	Obj tulip	1
			BH551415	Boot clamp large	1
			BH551417	Boot clamp small	1
			BH551423	Grease	1

BA - COMPACT
BH - COMPACT+
BB - MAXIMA
AL - CARGO

KIT LIST

**RE COMPACT,COMPACT+
MAXIMA,CARGO DIESEL**

Sr. No.	Kit Part No.	Kit Description	Consisting of Following Parts		
			Part No.	Description	Qty./Kit
40.	36BH0010	Kit obj & tripod	BH551408	Obj tulip	1
			BH551415	Boot clamp large	1
			BH551417	Boot clamp small	1
			BH551423	Grease	1
			BH551412	Finished roller	1
			BH551411	Tripod finished	1
			BH551410	Circlip	1
			BB133077	Obj tulip	1
41.	36BH0011	Kit obj & tripod	BH551415	Boot clamp large	1
			BH551417	Boot clamp small	1
			BH551423	Grease	1
			BH551412	Finished roller	3
			BH551411	Tripod finished	1
			BH551410	Circlip	1
42.	36BH0012	Kit ibj-all	BH551422	Ibj tulip	1
			BH551415	Boot clamp large	1
			BH551417	Boot clamp small	1
			BH551423	Grease	1
43.	36BH0030	Kit ibj-all	BH551426	Ibj tulip	1
			BH551415	Boot clamp large	1
			BH551417	Boot clamp small	1
			BH551423	Grease	1
44.	36BH0013	Kit ibj & tripod	BH551422	Ibj tulip	1
			BH551415	Boot clamp large	1
			BH551417	Boot clamp small	1
			BH551423	Grease	1
			BH551412	Finished roller	3
			BH551411	Tripod finished	1
45.	36BH0031	Kit ibj & tripod	BH551426	Ibj tulip	1
			BH551415	Boot clamp large	1
			BH551417	Boot clamp small	1
			BH551423	Grease	1
			BH551412	Finished roller	3
			BH551411	Tripod finished	1
46.	36BH0014	Kit barshaft LH	BH551418	Barshaft lh	1
			BH551410	Circlip	2
			BH551415	Boot clamp large	2
			BH551417	Boot clamp small	2
			BH551416	Boot	2

BA - COMPACT
BH - COMPACT+
BB - MAXIMA
AL - CARGO

KIT LIST

**RE COMPACT,COMPACT+
MAXIMA,CARGO DIESEL**

Sr. No.	Kit Part No.	Kit Description	Consisting of Following Parts		
			Part No.	Description	Qty./Kit
47.	36BH0017	KIT BARSHAFT LH	BB133078	BARSHAFT LH	1
			BH551410	CIRCLIP	2
			BH551415	BOOT CLAMP LARGE	2
			BH551417	BOOT CLAMP SMALL	2
			BH551416	BOOT	2
48.	36BH0015	KIT BARSHAFT RH	BH551419	BARSHAFT RH	1
			BH551410	CIRCLIP	2
			BH551415	BOOT CLAMP LARGE	2
			BH551417	BOOT CLAMP SMALL	2
			BH551416	BOOT	2
49.	36BH0018	KIT BARSHAFT RH	BB133079	BARSHAFT RH	1
			BH551410	CIRCLIP	2
			BH551415	BOOT CLAMP LARGE	2
			BH551417	BOOT CLAMP SMALL	2
			BH551416	BOOT	2
50.	36BH0019	KIT ROLLER	BH551412	FINISHED ROLLER	3
			36 AL00 29	Wheel cylinder minor kit cargo	
			36 AL00 30	Wheel cylinder major kit cargo	
			36 AL00 31	Br shoe trailing assly without hbl kit	
			36 ALI00 32	Br shoe leading kit	
			36 ALI00 33	Back plate assly fr finished	
			36 AL00 34	Flange kit fr re-cargo	
			36 AL00 35	Benjo bolt kit	
			36 BB00 35	Protection plug kit	
			36 AL00 39	Brake shoe trailing with hbl lh kit	
			36 AL00 40	Back plate assly lh finished	
			36 AL00 37	Brake shoe trailing with hbl rh kit	
			36 AL00 38	Back plate assly lh finished	
			36 BB00 34	Protection plug kit	
			36 AL00 28	Brake shoe leading kit	
36 BA40 14	Wheel cylinder mounting kit				

BA - COMPACT
BH - COMPACT+
BB - MAXIMA
AL - CARGO

KIT LIST

**RE COMPACT,COMPACT+
MAXIMA,CARGO DIESEL**

Sr. No.	Kit Part No.	Kit Description	Consisting of Following Parts		
			Part No.	Description	Qty./Kit

BA - COMPACT
BH - COMPACT+
BB - MAXIMA
AL - CARGO

RE COMPACT,COMPACT+
MAXIMA,CARGO DIESEL

Part No.	Page No.	Figure No.
1100342	47	4
1160509	33	5
1160509	34	3
1160509	35	4
1160717	83	9
1180123	17	7
1180123	23	7
1190205	66	24
1200213	94	4
3150207	13	13
3170109	49	17
3190204	33	4
3190204	35	5
3190204	66	22
3190206	66	23
5161256	70	4
5190301	49	20
5190302	50	24
5191005	50	21
6191061	50	22
6191089	65	9A
6191089	65	14
6201083	95	4
6201083	96	5
15101011	12	3
18201044	95	4
18201044	96	5
19101016	15	7
19101017	15	8
19101018	15	9
19101019	15	10
19101020	15	11

Part No.	Page No.	Figure No.
20101020	14	13
20201029	96	7
21100711	17	10
21150422	61	2
21180307	58	17
21180308	58	18
22131014	18	10
22131014	19	10
22150507	63	11
22151068	42	1
22151106	47	10
22160805	70	10
22161221	74	12
22161221	96	23
22170115	49	5
22170117	49	11
22170118	50	42
22171007	47	6
22181058	58	16
22200161	80	11
22230635	76	9
22231281	76	21
22250132	81	9
22270709	75	4
24121476	25	9
24130111	18	12
24131032	18	8
24131074	43	12
24131098	43	17
24151059	72	9
24151060	72	10
24151061	63	9

BA - COMPACT
BH - COMPACT+
BB - MAXIMA
AL - CARGO

RE COMPACT,COMPACT+
MAXIMA,CARGO DIESEL

Part No.	Page No.	Figure No.
24151067	63	12
24151068	63	13
24151087	62	2
24151090	62	4
24151092	62	7
24151093	62	8
24151094	62	3
24151097	62	9
24151098	62	10
24151107	54	36
24151108	54	37
24151113	54	39
24151114	54	40
24151129	53	15
24151130	53	17
24151131	53	16
24151132	53	13
24151133	53	7
24151134	53	8
24151135	53	9
24151137	53	10
24151138	53	11
24151139	53	18
24151144	53	15A
24151146	53	21
24151147	53	20
24151148	54	22
24151151	53	15B
24151152	53	14
24151153	53	8A
24151163	54	35
24151164	54	38

BA - COMPACT
BH - COMPACT+
BB - MAXIMA
AL - CARGO

Part No.	Page No.	Figure No.
24151168	53	12
24151169	54	25
24151170	54	30
24151171	54	43
24151172	54	28
24151173	54	29A
24151174	53	5
24151175	53	12B
24151176	54	26
24151177	54	32
24151178	53	6
24151179	53	12A
24151180	54	27
24151181	54	31
24151182	54	29
24151183	54	33
24151221	61	6
24151232	63	2
24151234	61	5
24151238	63	14
24151243	53	1
24151247	50	25
24151247	61	9
24151255	63	3
24151256	63	1
24151266	49	8
24151268	53	19
24151274	65	1
24151275	62	1
24161176	60	22
24161176	83	11
24161256	80	16

RE COMPACT,COMPACT+
MAXIMA,CARGO DIESEL

Part No.	Page No.	Figure No.
24161368	67	2
24161371	67	3
24161373	67	6
24161443	58	11
24161446	80	8
24161492	67	7
24161505	70	2
24165116	74	1
24165116	74	3
24165132	74	13
24165137	83	14
24165214	74	4
24165215	79	4
24165216	84	14
24165218	70	9
24165230	80	10
24165234	74	1
24165255	74	15
24165302	74	16
24165303	70	3
24165309	93	2A
24170425	43	8
24170431	30	7
24170507	46	20
24171014	43	2
24171024	47	3
24171049	46	21
24171066	43	16
24171075	48	12
24171117	50	39
24171118	47	1
24171129	50	26

Part No.	Page No.	Figure No.
24171136	49	1
24171138	50	27
24171179	45	1
24171180	45	2
24181046	58	10
24181047	58	12
24181160	57	1
24181161	58	24
24191098	65	13
24191101	65	15
24191105	66	20
24191108	70	1
24191120	73	18
24191178	72	11
24191179	73	12
24191180	73	13
24191184	65	10
24191185	65	11
24191187	66	18
24201368	94	1
24201378	94	2
24201380	94	3
24201472	96	1
24201473	96	2
24201476	96	18
24201477	96	19
24201484	95	7
24201485	95	5
24201486	95	6
24201487	95	1
24201488	95	2
24201499	96	20

BA - COMPACT
BH - COMPACT+
BB - MAXIMA
AL - CARGO

RE COMPACT,COMPACT+
MAXIMA,CARGO DIESEL

Part No.	Page No.	Figure No.
24201500	96	8
24201501	96	9
24201502	95	9
24201503	95	10
24201504	95	13
24201515	97	16
24201523	95	11
24201524	76	10
24201525	78	21
24201526	76	11
24201564	93	7B
24211034	89	5
24220804	66	25
24221032	83	16
24221034	83	15
24230176	83	5
24230185	60	21
24230185	83	10
24230198	67	14
24230198	69	16
24230198	85	5
24231090	83	12
24231091	83	13
24231146	87	5
24231146	90	12
24231146	90	22
24231157	83	11
24231245	83	4
24231245	85	4
24231336	79	3A
24231421	87	13
24231475	78	20

BA - COMPACT
BH - COMPACT+
BB - MAXIMA
AL - CARGO

Part No.	Page No.	Figure No.
24231499	83	6
24231615	76	7
24231615	77	5
24231616	76	8
24231616	77	6
24231620	88	25
24231625	77	9
24231641	76	6
24231641	77	4
24231661	76	5
24231662	76	22
24231705	88	23
24231726	79	3
24231748	87	14
24231761	87	16
24231762	87	17
24231772	87	19
24231772	89	20
24231772	90	10
24231775	87	19A
24231775	89	20
24231775	90	10A
24231778	76	3
24231779	76	4
24231780	76	2
24231812	78	25
25231064	83	19
30101185	50	28
30121004	65	17
30151065	13	2
30151065	20	2
30201073	22	25

RE COMPACT,COMPACT+
MAXIMA,CARGO DIESEL

Part No.	Page No.	Figure No.
30201084	69	23
31201001	86	26
31201029	97	7
33141007	34	12
33141008	34	11
33141008	35	8
35161060	69	19
35171033	52	23
36224005	70	11
36244024	83	8
36244044	83	7
36244075	94	7
39003801	76	20
39006204	60	9
39007104	77	15
39007104	85	20
39008504	76	13
39011904	43	3
39014608	63	8
39014708	63	5
39014708	64	6
39019811	13	10
39019811	39	15
39019811	58	19
39019811	60	17
39019911	63	7
39020011	32	12
39020111	65	3
39020811	63	4
39020811	64	5
39021111	68	28
39021111	87	12

Part No.	Page No.	Figure No.
39021911	94	14
39023011	87	3
39023011	90	25
39023911	26	20
39024811	39	9
39024811	40	5
39025811	77	13
39025811	94	14
39026212	86	21
39026312	51	12
39026312	85	16
39026512	39	19
39026512	40	7
39026912	46	22
39028715	24	19
39028715	76	19
39029115	60	24
39029415	33	9
39029515	50	33
39029615	39	11
39029615	40	2
39029615	50	38
39029615	59	7
39029615	65	5
39030315	45	7A
39031215	42	5A
39031215	42	7
39031215	52	17
39032615	66	21
39032615	76	18
39034217	47	7
39037511	21	17

BA - COMPACT
BH - COMPACT+
BB - MAXIMA
AL - CARGO

RE COMPACT,COMPACT+
MAXIMA,CARGO DIESEL

Part No.	Page No.	Figure No.
39039004	27	10
39039004	32	7
39039004	87	2
39042304	56	22
39042304	56	43
39042606	14	4
39043501	10	11
39043501	32	8
39045411	74	7
39045411	74	10
39046715	28	17
39046715	39	7
39046715	40	14
39046715	41	19
39052611	39	4
39054311	50	35
39064517	24	9
39069015	45	9
39069415	10	5
39069415	32	4
39069415	50	41
39069415	63	10
39070311	24	6
39071411	28	15
39071411	40	15
39071411	41	18
39071411	42	9A
39073712	42	8A
39073817	15	16
39074011	52	24
39075601	30	16
39075601	31	18

BA - COMPACT
BH - COMPACT+
BB - MAXIMA
AL - CARGO

Part No.	Page No.	Figure No.
39076101	24	3
39076101	86	23
39078912	50	37
39078912	50	40
39078912	59	6
39079012	24	4
39079415	73	19
39079815	61	14
39079815	70	8
39079815	87	11
39080204	11	9
39080411	14	12
39081411	30	14
39081411	31	14
39081411	85	15
39081715	36	8
39081715	60	4
39081715	93	5
39081715	96	13
39084001	24	21
39087404	40	6
39090012	24	20
39092101	87	18
39093915	59	16
39095615	42	5
39099206	14	5
39101321	1	6
39104619	14	7
39105411	50	36
39105411	59	5
39106901	60	3
39107404	61	13

RE COMPACT,COMPACT+
MAXIMA,CARGO DIESEL

Part No.	Page No.	Figure No.
39107901	51	13
39115902	88	21
39115902	89	22
39118011	7	10
39118011	32	9
39118011	33	11
39118011	40	9
39118011	41	8
39118011	51	15
39118215	43	15
39119704	9	6
39121111	60	15
39121111	70	7
39122411	40	1
39122515	41	12
39132420	12	5
39133615	46	19
39135315	60	13
39137704	65	2
39138904	32	5
39138904	62	11
39139404	12	13
39139604	40	3
39142305	10	3
39142305	12	10
39143020	6	8
39143104	10	15
39143104	12	12
39143520	8	17
39143620	4	4
39144525	9	10
39148720	13	3

Part No.	Page No.	Figure No.
39149721	9	5
39149819	13	7
39149919	5	8
39150111	88	20
39150111	89	21
39152301	68	27
39152401	68	24
39152401	69	20
39153419	12	4
39153519	11	4
39153721	13	11
39154704	8	20
39154905	22	30
39155104	26	22
39155204	26	3
39155604	22	19
39155604	25	13
39155604	26	6
39155604	27	8
39155604	36	16
39155604	89	4
39155604	89	9
39155604	90	16
39155604	90	24
39155804	8	6
39156015	21	16
39156121	7	6
39156221	1	12
39156221	8	8
39156221	12	17
39156221	20	6
39156221	24	15

BA - COMPACT
BH - COMPACT+
BB - MAXIMA
AL - CARGO

RE COMPACT,COMPACT+
MAXIMA,CARGO DIESEL

Part No.	Page No.	Figure No.
39156421	8	10
39156421	59	13
39156706	24	8
39156806	21	2
39156906	1	7
39156906	8	3
39157006	6	5
39157104	24	17
39157217	16	21
39157311	7	19
39157704	39	17
39157815	24	11
39157915	8	21
39157915	36	13
39158015	7	9
39158115	7	8
39158115	92	42
39158211	10	13
39158511	12	19
39158511	13	16
39158511	20	12
39158721	13	8
39163505	2	13
39163505	26	10
39167204	89	2
39168004	2	29
39168004	7	14
39168004	22	22
39168004	22	28
39168004	60	14
39168004	96	11
39168606	9	19

BA - COMPACT
BH - COMPACT+
BB - MAXIMA
AL - CARGO

Part No.	Page No.	Figure No.
39170207	63	6
39170415	68	21
39170704	39	10
39171404	32	6
39173719	51	3
39177304	29	11
39179104	48	16
39180204	9	20
39182612	16	25
39182612	26	21
39182612	39	16
39182712	28	16
39182712	39	5
39182712	40	13
39182712	41	11
39182712	46	22
39182812	10	14
39182812	32	10
39182812	33	10
39182812	40	8
39182812	42	6
39182912	39	12
39182912	40	4
39182912	42	6A
39182912	42	8
39182912	52	16
39183012	60	23
39183911	69	21
39186101	69	7
39187411	15	15
39190204	85	17
39190701	74	14

RE COMPACT,COMPACT+
MAXIMA,CARGO DIESEL

Part No.	Page No.	Figure No.
39190701	84	13
39190701	91	20
39191204	28	9
39191204	30	10
39191304	30	11
39194304	13	20
39194404	60	16
39195804	16	24
39197015	10	16
39197015	11	10
39197015	12	11
39197015	20	13
39197015	26	11
39197015	90	18
39197215	89	7
39197215	90	23
39203804	51	10
39220307	3	8
39223704	41	6
39224020	51	4
39226405	2	14
39226405	21	5
39229515	41	9
39229515	87	4
39229515	98	5
39231704	7	15
39235717	49	15
39236220	49	3
39237423	70	5
39237523	60	8
39238315	89	11
39242411	60	6

Part No.	Page No.	Figure No.
39245401	67	13
39246417	51	7
39246520	51	4
39248415	75	19
39248415	76	14
39248415	77	14
39248415	77	16
39248415	87	8
39251604	59	4
39251704	40	16
39253404	52	19
39253815	42	7A
39253815	52	17
39255020	49	2
39260607	2	20
39260715	45	7
39260715	46	23
39263101	98	16
39264223	60	12
39270704	31	15
39272711	86	28
52210040	83	18
52240645	76	1
52240645	77	1
52240664	83	2
52240667	79	1C
52240668	85	1
52240669	85	6
52240670	85	2
52240674	79	1
52240675	83	1
52240746	79	1A

BA - COMPACT
BH - COMPACT+
BB - MAXIMA
AL - CARGO

RE COMPACT,COMPACT+
MAXIMA,CARGO DIESEL

Part No.	Page No.	Figure No.
52240748	84	5
52244040	60	1A
59010005	74	9
59010007	68	26
59040014	25	11
59040014	41	17
59040026	39	20
59040026	41	16
59040048	9	18
59040048	13	17
59150003	49	9
59200012	47	5
59210023	8	11
59210023	9	2
60111420	31	19
36AL0014	35	13
36AL0015	69	8
36AL0016	69	9
36AL0017	93	3A
36AL0028	56	51
36AL0029	56	28
36AL0030	56	26
36AL0031	56	32
36AL0032	56	30
36AL0033	56	44
36AL0034	56	45
36AL0035	56	46
36AL0037	56	36
36AL0038	56	49
36AL0039	56	34
36AL0040	56	48
36AL00XX	44	13

BA - COMPACT
BH - COMPACT+
BB - MAXIMA
AL - CARGO

Part No.	Page No.	Figure No.
36AL00XX	44	14
36AL00XX	56	
36AL00XX	56	
36AL00XX	56	41
36BA4013	69	10
36BA4014	56	52
36BA4015	54	44
36BB0006	3	10
36BB0007	2	27
36BB0012	3	2
36BB0029	80	14
36BB0033	93	3
36BB0034	56	50
36BB0035	56	47
36BB0042	2	25
36BB0043	2	26
36BH0006	44	7
36BH0007	44	8
36BH0008	44	9
36BH0009	44	9
36BH0010	44	10
36BH0011	44	10
36BH0014	44	13
36BH0015	44	14
36BH0017	44	13
36BH0018	44	14
36BH0019	44	15
36BH0030	44	11
36BH0031	44	12
52AB0098	60	1
52BA0283	83	3
52BA0308	79	1A

RE COMPACT,COMPACT+
MAXIMA,CARGO DIESEL

Part No.	Page No.	Figure No.
52BB0075	60	1B
52BB0148	79	1C
52BH0055	79	1B
52BH0056	84	2
52BH0057	84	11
52BH0058	84	3
52BH0060	84	1
52BH0098	79	1B
AA101721	43	4
AA101722	43	1
AA101747	73	17
AA101752	43	5
AA141046	36	2
AA151039	61	7
AA151047	49	1
AA151049	49	6
AA161089	80	12
AA161190	74	5
AA161191	74	6
AA161215	67	1
AA161218	68	22
AA161219	68	23
AA161225	67	15
AA161268	74	17
AA161269	74	18
AA161270	74	19
AA161290	68	30
AA171006	45	3
AA171007	45	4A
AA171011	45	6
AA171022	45	4
AA171024	45	5

Part No.	Page No.	Figure No.
AA171025	57	1
AA171027	57	1
AA181022	57	3
AA181023	57	2
AA191032	66	19
AA201088	98	17
AA201090	96	21
AA201227	96	7
AA201239	98	4
AA201256	98	1B
AA201262	94	16
AA201263	77	8
AA201264	94	13
AA221005	76	17
AA221006	76	16
AA231126	83	21
AA231129	88	22
AA231140	87	6
AA231223	77	10
AA231242	77	3
AA251001	73	14
AA251003	73	15
AB151014	63	3
AB151049	61	3
AB151050	61	1
AB151053	61	11
AB151054	62	13
AB151072	62	6
AB151079	54	41
AB161159	60	5
AB161182	60	2
AB161183	60	11

BA - COMPACT
BH - COMPACT+
BB - MAXIMA
AL - CARGO

RE COMPACT,COMPACT+
MAXIMA,CARGO DIESEL

Part No.	Page No.	Figure No.
AB171013	50	30
AB171014	50	31
AB171015	50	32
AB171016	49	16
AB171016	59	11
AB171017	50	34
AB171020	49	14
AB171022	49	12
AB171023	49	13
AB171031	49	18
AB171034	49	8
AB171044	50	29
AB181012	57	4
AB181017	57	9
AB181019	57	8
AB181020	58	13
AB181022	58	15
AB181023	58	14
AB181033	57	5
AB201065	60	10
AB201075	22	25
AB201076	97	6
AB201077	98	8
AD151021	61	12
AF201081	97	12
AF201094	98	6
AF231078	87	7
AF231079	87	9
AK201012	97	3
AL101019	41	23
AL101020	40	17
AL101029	26	17

BA - COMPACT
BH - COMPACT+
BB - MAXIMA
AL - CARGO

Part No.	Page No.	Figure No.
AL101030	26	18
AL101038	26	19
AL101053	86	24
AL103000	31	2
AL103001	31	3
AL103002	31	4
AL103003	31	5
AL121019	30	15
AL121019	31	17
AL121020	33	6
AL121060	28	3
AL121062	28	4
AL121068	28	6
AL121069	28	7
AL121070	28	5
AL121075	31	1
AL131007	13	4
AL131055	19	8
AL131058	18	9
AL131058	19	9
AL131059	18	6
AL131074	12	18
AL131074	13	15
AL131076	20	5A
AL131081	15	17
AL131127	19	11
AL133000	1	2B
AL133003	44	2
AL133004	44	1
AL141047	35	21
AL141048	35	1
AL141054	35	11

RE COMPACT,COMPACT+
MAXIMA,CARGO DIESEL

Part No.	Page No.	Figure No.
AL141054	38	12
AL141058	35	7
AL151004	51	2
AL151005	51	5
AL151007	51	6
AL151008	51	8
AL151010	52	25
AL151011	51	14
AL151012	51	11
AL151014	42	4A
AL151017	42	3
AL151027	56	40
AL151052	54	42
AL151054	54	34
AL151089	51	9
AL151093	51	1A
AL151138	63	17
AL151151	47	10A
AL151192	55	4
AL151193	56	19
AL151194	55	13
AL151195	55	7
AL151196	55	10
AL151197	55	8
AL151198	55	9
AL151201	55	12
AL151202	55	11
AL151205	56	20
AL151210	56	18
AL151211	55	15
AL151212	55	14
AL151220	61	6

Part No.	Page No.	Figure No.
AL151222	72	9
AL151223	72	10
AL151231	56	19
AL151235	55	1
AL151236	55	1
AL151237	55	3
AL151238	55	2
AL151239	55	4
AL151240	55	16
AL151241	56	17
AL151242	47	10B
AL151242	51	1B
AL151243	52	26
AL151246	42	4B
AL151247	56	42
AL151249	47	1C
AL151252	42	7B
AL151254	48	15
AL151259	56	17A
AL151260	56	17B
AL151261	55	6
AL151262	55	5
AL151263	52	22
AL161069	79	3C
AL161152	74	
AL161226	85	18
AL161229	85	19
AL161236	74	8
AL161247	41	14
AL161249	41	3
AL161250	41	4
AL161251	41	7

BA - COMPACT
BH - COMPACT+
BB - MAXIMA
AL - CARGO

RE COMPACT,COMPACT+
MAXIMA,CARGO DIESEL

Part No.	Page No.	Figure No.
AL161252	41	2
AL161253	41	15
AL161273	97	1A
AL161302	41	13
AL161362	68	20
AL161377	85	14
AL161379	69	4
AL161382	69	2
AL161390	69	3
AL161392	79	3B
AL161502	67	5
AL161503	67	4
AL161505	41	5
AL161509	84	12
AL161626	41	1
AL161650	79	1D
AL161661	75	6
AL161662	92	32
AL161705	75	11
AL161706	75	12
AL161746	80	17
AL171011	45	3A
AL171017	45	8
AL171020	45	6B
AL171027	48	15
AL171031	46	15
AL171036	46	21
AL171045	59	2
AL171047	59	1
AL171051	59	15
AL171053	56	21
AL171058	59	17

BA - COMPACT
BH - COMPACT+
BB - MAXIMA
AL - CARGO

Part No.	Page No.	Figure No.
AL171065	43	9
AL171066	48	18
AL171067	59	3
AL171081	59	12
AL171091	59	9
AL171093	59	8
AL171095	59	10
AL171104	59	14
AL171118	45	2C
AL171122	45	1C
AL171127	59	8
AL171139	59	1
AL171143	45	4B
AL171147	45	4C
AL181003	57	5
AL181004	57	3
AL181005	57	6
AL181006	57	2
AL181007	57	4
AL181009	57	9
AL181041	79	2D
AL181042	92	25
AL181043	92	24
AL191020	73	12
AL191028	69	6
AL191039	67	16
AL191039	69	12
AL191060	72	7
AL191062	71	2
AL191064	73	11
AL191065	71	1
AL191069	73	12

RE COMPACT,COMPACT+
MAXIMA,CARGO DIESEL

Part No.	Page No.	Figure No.
AL191070	72	5
AL191071	71	3
AL191072	71	4
AL201012	97	13
AL201020	93	1A
AL201031	98	7
AL201034	34	7
AL201034	35	12
AL201039	97	10
AL201060	98	2A
AL201062	98	3
AL201070	98	15
AL201073	97	10A
AL201078	69	22
AL201082	97	2
AL201100	68	19
AL201100	69	15
AL201119	94	8
AL201120	94	9
AL201127	82	16
AL201129	81	8
AL201130	81	12
AL211017	90	21
AL211019	90	19
AL241023	77	7
AL241065	75	5
AL241189	92	43
AL241220	92	27
AL241221	92	26
AL241344	75	13
AL241395	92	37
AL241442	91	3

Part No.	Page No.	Figure No.
AL241445	77	5
AL241446	77	6
AL241455	91	12
AL241456	91	14
AL241457	91	16
AL241460	91	17
AL241465	91	15
AL241474	91	13
AL241475	92	36
AL241477	91	18
AL241478	91	19
AL241479	92	34
AL241480	92	35
AL241481	92	38
AL241482	91	11
AL241518	86	30
AL241577	75	9
AL241578	75	7
AL241596	91	1
AL241597	91	2
AL241603	92	29
AL241606	92	31
AL241609	92	28
AL241614	92	30
AL241685	75	1
AL241621	85	6
AL241633	86	27
AL241634	86	29
AL241662	92	33
AL241679	75	10
AL241689		
91 6		

BA - COMPACT
BH - COMPACT+
BB - MAXIMA
AL - CARGO

RE COMPACT,COMPACT+
MAXIMA,CARGO DIESEL

Part No.	Page No.	Figure No.
AL241690	91	5
AL241691	91	8
AL241692	91	7
AL241693	91	4
AL241695	91	10
AL241696	91	9
AL241697	75	8
AL241700	92	23
AL241701	91	22
AN131007	13	12
AN151003	72	9
AN151004	72	10
AN161048	93	9
AN161074	93	4
AN161075	93	6
AN161086	69	4
AN211001	90	20
AP111023	14	11
AP111023	98	11
AP121064	28	10
AP121074	20	8A
AP151002	51	2
AP151017	53	4
AP151025	51	5
AP151031	52	18
AP161047	65	6A
AP161048	65	1
AP161054	87	1
AP181009	65	6
AP191001	67	7
AP201037	97	1
AP201058	97	11

BA - COMPACT
BH - COMPACT+
BB - MAXIMA
AL - CARGO

Part No.	Page No.	Figure No.
AP201066	94	6
AT213001	89	19
AT213001	90	9
AZ161215	72	11
AZ231000	83	23
AZ402402	67	7
Az402403	67	7
AZ581018	30	9
AZ581021	30	8
BA100300	2	15
BA102003	2	17
BA102004	8	2
BA102005	8	5
BA102006	1	4
BA102007	8	4
BA102008	1	5
BA102009	1	8
BA102014	21	6
BA102017	21	7
BA102018	22	31
BA102019	21	8
BA102020	21	9
BA102021	21	3
BA102022	21	10
BA102023	21	4
BA102025	22	32
BA102026	22	33
BA102027	22	20
BA102029	32	3
BA102033	23	3
BA102034	23	4
BA102036	23	6

RE COMPACT,COMPACT+
MAXIMA,CARGO DIESEL

Part No.	Page No.	Figure No.
BA102038	1	9
BA102038	8	7
BA102038	12	16
BA102038	20	5
BA102038	24	14
BA102042	24	16
BA102043	24	2
BA102047	24	10
BA102048	4	6
BA102054	4	2
BA102055	4	5
BA102061	3	4
BA102062	3	5
BA102064	3	9
BA102068	5	2
BA102071	5	5
BA102072	5	6
BA102076	8	18
BA102077	8	15
BA102078	8	16
BA102080	1	9A
BA102084	9	9
BA102087	6	2
BA102088	25	1
BA102090	25	3
BA102096	25	10
BA102099	5	7
BA102099	10	17
BA102099	26	4
BA102100	26	7
BA102104	2	21
BA102113	9	17

Part No.	Page No.	Figure No.
BA102118	5	11
BA102119	5	14
BA102126	5	10
BA102127	9	7
BA102129	4	3
BA102130	5	9
BA102131	8	5B
BA102132	8	5A
BA102146	20	9
BA102146	24	12
BA102147	20	8
BA102147	24	13
BA102156	25	9
BA102158	39	1
BA102159	39	2
BA102160	39	13
BA102164	39	8
BA102174	5	12
BA102175	5	13
BA102186	7	17
BA102187	7	18
BA102207	20	10
BA102208	5	1
BA102215	26	13
BA102216	26	12
BA102222	25	2
BA102233	39	18
BA102235	25	7
BA102238	4	7
BA102244	22	29
BA102254	24	18
BA102255	8	19

BA - COMPACT
BH - COMPACT+
BB - MAXIMA
AL - CARGO

RE COMPACT,COMPACT+
MAXIMA,CARGO DIESEL

Part No.	Page No.	Figure No.
BA102259	24	1A
BA102263	24	7
BA102264	24	1
BA102267	24	5
BA102270	21	12
BA102277	22	23
BA102279	23	5
BA102290	8	1
BA102292	25	15
BA102293	9	8
BA102301	23	1
BA102303	23	13
BA102304	5	4
BA102305	25	6
BA102308	22	21
BA102309	5	3
BA103000	2	22
BA103003	32	2
BA103004	32	1
BA103009	27	7
BA103010	1	1
BA103011	32	11
BA103012	25	4
BA103017	36	18
BA103022	36	19
BA103024	36	1A
BA103027	29	13
BA103031	36	20
BA103032	22	21
BA103035	29	9
BA103037	29	7
BA103040	2	22

BA - COMPACT
BH - COMPACT+
BB - MAXIMA
AL - CARGO

Part No.	Page No.	Figure No.
BA111006	21	15
BA111006	22	26
BA111016	26	14
BA111023	26	2
BA122002	25	14
BA122003	37	7
BA122011	36	10
BA122012	36	11
BA122013	36	12
BA122014	36	15
BA122029	6	3
BA122030	6	4
BA122032	6	6
BA122034	6	18
BA122041	6	9
BA122044	6	16
BA122047	7	4
BA122048	7	5
BA122049	7	7
BA122050	7	11
BA122051	7	2
BA122052	7	3
BA122062	29	8
BA122070	27	4
BA122071	27	6
BA122072	37	1
BA122075	27	9
BA122086	37	11
BA122134	37	2
BA122135	37	3
BA122135	37	3
BA122137	37	4

RE COMPACT,COMPACT+
MAXIMA,CARGO DIESEL

Part No.	Page No.	Figure No.
BA122139	37	5
BA122140	37	6
BA122140	37	6
BA122142	37	8
BA122143	9	15
BA122143	33	13
BA122143	35	14
BA122143	37	9
BA122143	38	13
BA122180	29	5
BA122181	29	6
BA122182	29	12
BA122184	29	14
BA122192	27	2
BA122204	9	4
BA122205	9	3
BA122209	9	16
BA122210	9	21
BA122216	7	13
BA122220	27	1
BA122229	29	1
BA132012	12	9
BA132017	11	8
BA132019	73	20
BA132045	17	4
BA132064	13	5
BA132088	15	12
BA132088	17	10
BA132094	10	6
BA132095	10	12
BA132104	10	8
BA132116	15	14

Part No.	Page No.	Figure No.
BA132121	13	18
BA132122	10	2
BA132122	12	2
BA132122	20	7
BA132134	12	6
BA132141	14	17
BA132179	12	14
BA132185	11	5
BA132201	18	11
BA132211	11	6
BA132244	11	2
BA132246	11	3
BA132272	10	7
BA133000	1	2
BA133016	12	1
BA133018	20	1
BA133022	10	9
BA133023	10	10
BA133025	43	7
BA133028	43	6
BA133031	18	3
BA133032	18	1
BA133033	16	22
BA133039	10	11
BA133040	10	9
BA133050	1	2
BA141013	33	2
BA141013	35	2
BA141017	33	12
BA141017	35	6
BA141017	37	10
BA141019	33	7

BA - COMPACT
BH - COMPACT+
BB - MAXIMA
AL - CARGO

RE COMPACT,COMPACT+
MAXIMA,CARGO DIESEL

Part No.	Page No.	Figure No.
BA141029	38	14
BA141030	37	12
BA141033	36	3
BA141034	34	16
BA141034	35	20
BA141041	33	1
BA141053	33	14
BA161029	93	7
BA161030	41	20
BA161031	39	6
BA161146	97	17
BA161167	39	14
BA161195	39	3A
BA171005	46	16
BA171007	46	18
BA171008	46	17
BA171009	46	15
BA181021	65	8
BA181022	65	12
BA191031	73	22
BA191032	73	21
BA191040	73	13
BA191077	72	7
BA191080	65	9
BA191082	71	1
BA191083	71	5
BA191084	71	2
BA191085	72	11
BA191086	73	12
BA191090	71	1
BA191092	71	5
BA191093	72	7

BA - COMPACT
BH - COMPACT+
BB - MAXIMA
AL - CARGO

Part No.	Page No.	Figure No.
BA191094	71	3
BA191095	71	4
BA201001	93	1
BA201006	21	18
BA201006	25	12
BA201006	26	5
BA201006	26	9
BA201007	13	22
BA201017	97	8
BA201082	9	11
BA201082	98	9
BA201093	98	14
BA201120	98	13
BA201129	97	2
BA201155	81	10
BA201169	81	1
BA201170	81	2
BA201171	98	2
BA201172	98	1
BA201173	68	29
BA201176	81	5
BA201178	81	6
Ba201186	67	7
BA201187	81	2
BA201191	81	2
BA220003	83	17
BA220006	83	22
BA231010	29	9
BA231013	29	10
BA231096	87	10
BA231150	87	15
BA231151	87	15

RE COMPACT,COMPACT+
MAXIMA,CARGO DIESEL

Part No.	Page No.	Figure No.
BA250004	79	2A
BA250005	79	2
BB100902	2	16
BB101045	4	7
BB101090	21	11
BB101094	3	1
BB101095	3	3
BB101110	2	18A
BB101165	3	6
BB101168	3	7
BB101170	3	11
BB101171	7	12
BB101172	8	14
BB101173	8	13
BB101176	22	21A
BB103000	2	24
BB103003	32	1B
BB103004	7	16
BB103005	1	1B
BB103006	9	12
BB103007	9	13
BB103008	1	9B
BB103010	8	12
BB103011	9	1
BB103019	22	24
BB103030	7	1
BB103037	1	3
BB103040	21	1
BB103043	36	6
BB103044	36	7
BB103045	36	7A
BB103046	21	13

Part No.	Page No.	Figure No.
BB103052	4	1
BB103054	28	14
BB103055	28	13
BB103055	29	2
BB103056	23	8
BB103057	23	10
BB103058	25	8
BB103061	6	1
BB103069	23	11
BB103071	8	9
BB103077	1	3A
BB103079	23	14
BB103084	9	14
BB103090	2	24
BB111009	21	14
BB111009	97	9
BB111010	26	16
BB111011	26	1
BB121029	28	8
BB121043	37	1
BB121047	37	4
BB121048	37	5
BB121049	37	2
BB121050	37	11
BB121080	6	7
BB121082	6	10
BB121083	6	12
BB121084	6	13
BB121085	6	14
BB121093	36	14
BB121094	36	9
BB121097	6	17

BA - COMPACT
BH - COMPACT+
BB - MAXIMA
AL - CARGO

RE COMPACT,COMPACT+
MAXIMA,CARGO DIESEL

Part No.	Page No.	Figure No.
BB121099	36	5
BB121107	30	5
BB121108	30	8
BB121111	30	4
BB121112	30	3
BB121113	30	1
BB122222	9	14A
BB122223	9	15A
BB122224	28	11
BB122226	36	1
BB122228	36	0
BB131024	43	14
BB131040	30	17
BB131040	31	16
BB131136	11	1
BB131138	11	7
BB131166	12	15
BB132003	10	1
BB132009	20	1A
BB133000	1	2B
BB133003	16	26
BB133004	15	18
BB133005	15	19
BB133006	16	20
BB133010	17	1
BB133013	15	1
BB133014	15	2
BB133015	15	3
BB133016	15	4
BB133017	15	5
BB133018	15	6
BB133022	13	1

BA - COMPACT
BH - COMPACT+
BB - MAXIMA
AL - CARGO

Part No.	Page No.	Figure No.
BB133025	12	1
BB133026	15	13
BB133028	14	1
BB133041	14	15
BB133042	14	14
BB133044	17	9
BB133049	14	6
BB133050	14	19
BB133051	14	9
BB133052	19	2
BB133054	14	2
BB133055	19	4
BB133061	17	11
BB133062	17	8
BB133068	17	3
BB133082	13	6
BB133084	17	2
BB133085	17	5
BB133093	15	7A
BB133095	44	1
BB133095	44	2
BB133097	19	1A
BB133098	16	22B
BB133099	19	3A
BB133107	48	13
BB133114	14	2
BB133115	14	1
BB133130	17	6
BB133131	17	11
BB133132	17	5
BB141024	34	6
BB141024	37	12

RE COMPACT,COMPACT+
MAXIMA,CARGO DIESEL

Part No.	Page No.	Figure No.	Part No.	Page No.	Figure No.
BG141254	43	13	BG581405	31	12
BG171006	34	1	BH111056	58	21
BG171800	34	5	BH111071	77	17
BG171803	34	10	BH111088	74	20
BG171804	34	9	BH111092	80	9
BG171804	36	4	BH113407	40	11
BG171805	34	4	BH113408	40	11
BG221003	84	20	BH113409	40	12
BG233002	74	2	BH113409	40	19
BG351601	26	15	BH113410	40	12
BG351602	26	8	BH113411	39	3
BG351603	26	8	BH113411	40	18
BG403206	97	5	BH113805	93	2
BG501004	1	10	BH121002	58	23
BG501006	1	11	BH121004	59	1
BG541200	2	18	BH121005	59	2
BG541201	2	19	BH122000	46	16
BG551011	17	6	BH122002	45	6A
BG551613	18	2	BH122005	45	1A
BG551614	18	7	BH122006	45	2A
BG551615	18	5	BH122024	46	10
BG551615	19	5	BH122025	46	11
BG551618	18	4	BH122026	46	12
BG552600	13	4	BH122028	45	5A
BG581000	28	1	BH122030	46	13
BG581000	40	10	BH131002	42	4
BG581006	28	2	BH131010	42	2
BG581400	31	9	BH131011	52	21
BG581401	31	11	BH131203	47	2
BG581402	31	10	BH131204	47	1A
BG581404	30	13	BH131206	42	11
BG581404	31	13	BH131211	42	9

BA - COMPACT
BH - COMPACT+
BB - MAXIMA
AL - CARGO

RE COMPACT,COMPACT+
MAXIMA,CARGO DIESEL

Part No.	Page No.	Figure No.	Part No.	Page No.	Figure No.
BH131212	53	3	BH161211	71	5
BH131213	53	2	BH161214	72	9
BH131405	42	10	BH161215	72	10
BH131407	84	26	BH161216	72	7
BH131600	51	8	BH161217	71	3
BH131802	61	6	BH161218	71	4
BH131804	61	7	BH161222	72	7
BH131809	51	1	BH161223	72	6
BH131813	54	23	BH161224	71	1
BH131814	54	24	BH161225	67	18
BH131817	60	20	BH161225	69	14
BH141224	44	2	BH161226	67	17
BH141225	44	1	BH161226	69	13
BH151001	57	1A	BH161227	71	5
BH151007	57	2	BH161229	71	2
BH151008	57	6	BH171600	34	8
BH151009	57	7	BH171810	38	14
BH151062	57	1A	BH181201	89	12
BH161004	65	12	BH181203	67	10
BH161007	64	2	BH181204	81	13
BH161009	64	3	BH181401	84	17
BH161010	64	7	BH181402	84	18
BH161011	64	8	BH181405	84	23
BH161012	64	9	BH181406	84	24
BH161014	64	8	BH182403	84	15
BH161017	63	1	BH184000	77	2
BH161021	64	9	BH184601	78	22
BH161027	63	3	BH184602	78	23
BH161202	72	11	BH185001	30	18
BH161203	73	12	BH185002	30	20
BH161208	71	3	BH185003	30	12
BH161209	71	4	BH191009	89	8

BA - COMPACT
BH - COMPACT+
BB - MAXIMA
AL - CARGO

RE COMPACT,COMPACT+
MAXIMA,CARGO DIESEL

Part No.	Page No.	Figure No.
BB141033	38	14
BB141035	35	16
BB141038	36	4A
BB141039	35	17
BB151001	63	16
BB151024	61	5
BB151025	61	6
BB151026	61	7
BB151030	47	2A
BB151031	47	4B
BB151034	47	3B
BB151036	47	1B
BB151039	63	1
BB151040	62	1
BB151042	55	6
BB151043	55	5
BB151048	61	11A
BB151052	58	24
BB151053	55	1
BB151055	55	3
BB151056	55	2
BB151057	55	17
BB151058	56	17A
BB151059	56	17B
BB151060	55	16
BB151062	56	38
BB151063	56	39
BB151064	56	37
BB151065	56	25
BB151066	56	27
BB151067	56	29
BB151068	56	31

Part No.	Page No.	Figure No.
BB151069	56	33
BB151070	56	35
BB151073	61	5
BB161048	80	15
BB161096	74	5
BB161097	74	6
BB161100	69	18
BB161101	69	17
BB161107	58	22
BB161122	79	5
BB161123	69	1
BB161124	69	0
BB161130	69	11
BB161132	79	6
BB161171	85	3
BB161175	93	2B
BB161182	96	14
BB161184	96	15
BB161226	93	4A
BB161227	93	7A
BB161244	84	21
BB161245	84	22
BB161252	97	18
BB171007	45	2B
BB171008	45	1B
BB171027	46	16
BB171036	46	24
BB181007	57	1B
BB181010	57	7
BB181011	79	2C
BB181012	57	1B
BB191018	71	3

BA - COMPACT
BH - COMPACT+
BB - MAXIMA
AL - CARGO

RE COMPACT,COMPACT+
MAXIMA,CARGO DIESEL

Part No.	Page No.	Figure No.
BB191019	71	4
BB191025	65	8
BB191029	64	1
BB191031	72	5
BB191038	71	2
BB191051	72	5
BB201022	97	14
BB201050	69	5
BB201059	81	12
BB201068	94	10
BB201069	94	11
BB201070	94	12
BB201074	81	4
BB201075	81	12
BB201076	81	8
BB201078	94	10
BB201079	94	11
BB201092	81	4
BB211010	90	3
BB211012	90	2
BB211014	90	1
BB221004	89	15
BB221004	90	6
BB221005	83	24
BB221008	83	25
BB221013	85	11
BB221015	60	21
BB221017	78	22
BB221018	78	23
BB221019	78	24
BB231131	90	17
BB231141	85	9

BA - COMPACT
BH - COMPACT+
BB - MAXIMA
AL - CARGO

Part No.	Page No.	Figure No.
BB231142	85	10
BB231220	90	7
BB231225	85	7
BB231227	90	15
BB231229	90	4
BB231232	90	5
BB231268	90	14
BB231269	90	13
BB231271	79	7
BB231271	85	8
BB231337	90	8
BB231338	90	11
BB231369	85	12
BB231370	85	13
BB231506	90	11
BF131707	48	11
BF131722	47	4A
BF131723	47	3A
BF131904	56	24
BF131905	56	23
BF132013	61	1
BF161283	64	16
BF171604	33	8
BF185019	60	18
BF211478	75	20
BF551613	12	7
BF551613	20	4
BG113403	40	20
BG113804	61	8
BG131802	72	8
BG141252	43	10
BG141253	43	11

RE COMPACT,COMPACT+
MAXIMA,CARGO DIESEL

Part No.	Page No.	Figure No.	Part No.	Page No.	Figure No.
BH191019	89	6	BH501009	1	1A
BH191022	89	10	BH501020	2	23
BH191032	89	3	BH551002	1	2A
BH191053	89	1	BH551004	1	2A
BH211061	84	9	BH551400	11	1
BH211158	84	10	BH551402	11	7
BH211163	84	8	BH551403	11	8
BH211165	84	7	BH551404	13	19
BH213009	89	17	BH551409	44	6
BH213012	89	18	BH551420	44	4
BH232604	79	2B	BH551421	44	5
BH241400	84	4	BH551609	19	7A
BH241402	84	6	BH551610	19	6A
BH241800	84	19	BH551614	19	3
BH401000	96	3	BH551615	19	7
BH401002	96	4	BH551616	19	6
BH401004	96	10	BH551617	19	1
BH401010	67	7	BH551618	16	22A
BH401400	13	11	BH551800	44	3
BH401400	98	10	BH552005	12	1
BH401401	98	1A	BH581005	30	5
BH402209	81	11	BH581010	30	6
BH402220	97	15	BH581015	30	4
BH402224	81	3	BH581016	30	2
BH402225	81	7	BH581021	30	1
BH402231	81	3	BH591001	32	1A
BH402600	33	3	BH611400	6	1
BH402600	34	2	CE181015	68	25
BH402600	35	3	CL181024	49	7
BH402601	67	11	CL201023	94	15
BH402602	67	12	CM191049	65	16
BH501007	2	23	CM201054	67	8

BA - COMPACT
BH - COMPACT+
BB - MAXIMA
AL - CARGO

RE COMPACT,COMPACT+
MAXIMA,CARGO DIESEL

Part No.	Page No.	Figure No.	Part No.	Page No.	Figure No.
CM201054	98	12	KADA0620	76	12
DG141019	86	25	KADA0620	77	19
DG201084	97	4	KADA0812	82	14
DH101379	92	40	KADA0814	93	8
DH161194	64	4	KADA0814	96	16
DJ161229	74	11	KADD0516	14	16
DJ201072	95	3	KADD0614	14	8
DL191020	67	9	KADD0616	34	14
DP121025	31	7	KADD0616	35	18
DS121126	31	6	KADD0620	28	12
DS161125	60	19	KADD0620	29	3
EC131835	61	10	KADD0625	14	10
GH201012	96	6	KADD0630	89	16
JA581012	31	8	KADD0660	29	4
JD401032	95	3	KADD0670	13	14
JG122012	46	14	KADD0670	14	3
JG581015	30	19	KADD0816	34	13
KAAA0516	76	15	KADD0820	35	9
KAAA0518	77	15	KADD0825	38	15
KAAA0525	77	5	KADD0840	10	18
KAAA0812	64	14	KADD1030	61	4
KAAA0825	75	18	KADD1030	62	12
KAAA0830	75	15	KADE0835	13	23
KAAD0520	58	20	KADE0850	13	21
KAAD0525	58	20	KADG1085	41	10
KAAG0885	96	12	KAEB0830	64	15
KADA0510	92	43	KAED0622	2	28
KADA0512	77	18	KAED0816	34	15
KADA0612	92	41	KAED0816	35	19
KADA0614	81	14	KBBA0525	68	24
KADA0614	93	8A	KBCA0410	47	9
KADA0620	25	5	KBCA0410	49	10

BA - COMPACT
BH - COMPACT+
BB - MAXIMA
AL - CARGO

Part No.	Page No.	Figure No.

Part No.	Page No.	Figure No.

Part No.	Page No.	Figure No.

Part No.	Page No.	Figure No.

Part No.	Page No.	Figure No.

Part No.	Page No.	Figure No.

Part No.	Page No.	Figure No.

Part No.	Page No.	Figure No.